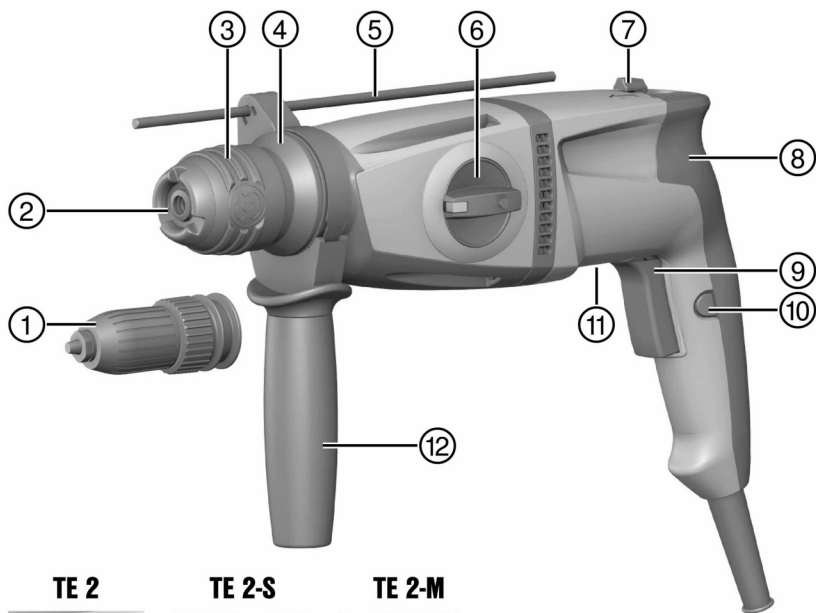




TE 2
TE 2-M
TE 2-S

English	1
Dansk	9
Svenska	17
Norsk	25
Suomi	32
Русский	40
Български	50
Română	59
Türkçe	67
عربي	76
Latviešu	85
Lietuvių	93
Eesti	101
Қазақ	109
日本語	118
한국어	125
繁體中文	133
中文	140



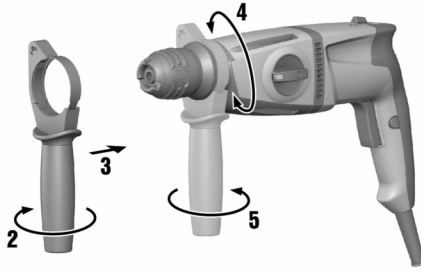
TE 2

TE 2-S

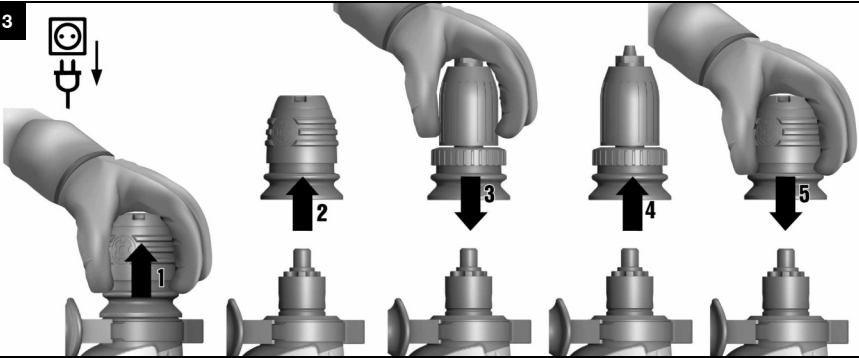
TE 2-M



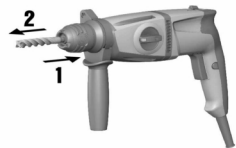
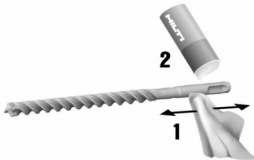
2



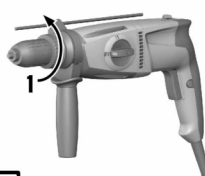
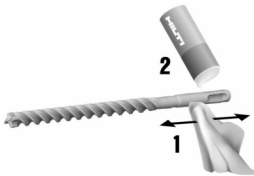
3



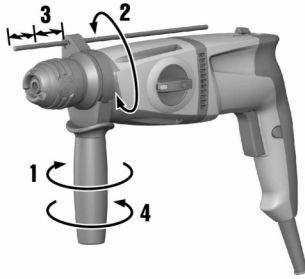
4



5



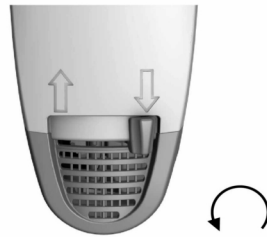
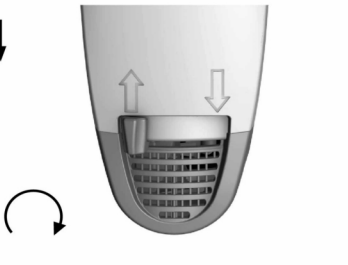
6



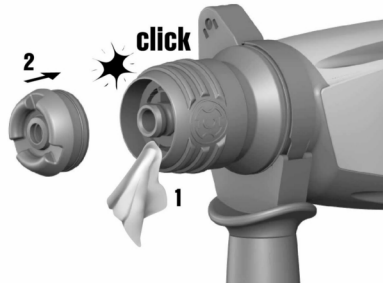
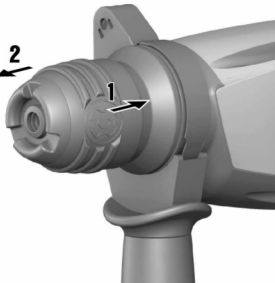
7



8



9



TE 2

TE 2-M

TE 2-S

en	Original operating instructions	1
da	Original brugsanvisning	9
sv	Originalbruksanvisning	17
no	Original bruksanvisning	25
fi	Alkuperäiset ohjeet	32
ru	Перевод оригинального руководства по эксплуатации	40
bg	Оригинално Ръководство за експлоатация	50
ro	Manual de utilizare original	59
tr	Orijinal kullanım kılavuzu	67
ar	دليل الاستعمال الأصلي	76
lv	Originālā lietošanas instrukcija	85
lt	Originali naudojimo instrukcija	93
et	Originaalkasutusjuhend	101
kk	Түпнұсқа пайдалану бойынша нұсқаулық	109
ja	オリジナル取扱説明書	118
ko	오리지널 사용 설명서	125
zh	原始操作說明	133
cn	原版操作说明	140

Original operating instructions

1 Information about the operating instructions

1.1 About these operating instructions

- Read these operating instructions before the product is used or operated for the first time. This is a prerequisite for safe, trouble-free handling and use of the product.
- Observe the safety instructions and warnings in these operating instructions and on the product.
- Always keep the operating instructions with the product and make sure that the product is accompanied by these operating instructions only, when the product is given to other persons.

1.2 Explanation of symbols

1.2.1 Warnings

Warnings alert persons to hazards that occur when handling or using the product. The following signal words are used:

DANGER

DANGER !

- ▶ Draws attention to imminent danger that will lead to serious personal injury or fatality.

WARNING

WARNING !

- ▶ Draws attention to a potential threat of danger that can lead to serious injury or fatality.





CAUTION

CAUTION !

- ▶ Draws attention to a potentially dangerous situation that could lead to personal injury or damage to the equipment or other property.




1.2.2 Symbols in the operating instructions

The following symbols are used in these operating instructions:

	Comply with the operating instructions
	Instructions for use and other useful information
	Dealing with recyclable materials
	Do not dispose of electric equipment and batteries as household waste

1.2.3 Symbols in illustrations

The following symbols are used in illustrations:

	These numbers refer to the illustrations at the beginning of these operating instructions.
3	The numbers in illustrations refer to important work steps or to components important for the work steps. In the text, the corresponding numbers draw attention to these work steps or components, e.g. (3) .
	Item reference numbers are used in the overview illustration and refer to the numbers used in the key in the product overview section.
	This symbol is intended to draw your special attention to certain points for handling the product.



1.3 Product-dependent symbols

1.3.1 Symbols on the product

The following symbols are used on the product:

	Drilling without hammer action
	Drilling with hammering action (hammer drilling)
	Drilling without hammering, 1st gear
	Drilling without hammering, 2nd gear
	Light hammering action
	Forward / reverse
n_0	Rated speed under no load
/min	Revolutions per minute
	Protection class II (double-insulated)

1.4 Product information

Hilti products are designed for professional use and may be operated, serviced and maintained only by trained, authorized personnel. This personnel must be specifically informed about the possible hazards. The product and its ancillary equipment can present hazards if used incorrectly by untrained personnel or if used not in accordance with the intended use.

The type designation and serial number are printed on the rating plate.

- ▶ Write down the serial number in the table below. You will be required to state the product details when contacting Hilti Service or your local Hilti organization to inquire about the product.

Product information

Rotary hammer	TE 2 TE 2-S TE 2-M
Generation	02
Serial no.	

1.5 Declaration of conformity

We declare, on our sole responsibility, that the product described here complies with the applicable directives and standards. A copy of the declaration of conformity can be found at the end of this documentation.

The technical documentation is filed here:

Hilti Entwicklungsgesellschaft mbH | Tool Certification | Hiltistrasse 6 | 86916 Kaufering, Germany

2 Safety

2.1 General power tool safety warnings

⚠ WARNING Read all safety warnings, instructions, illustrations and specifications provided with this power tool. Failure to follow all instructions listed below may result in electric shock, fire and/or serious injury. **Save all warnings and instructions for future reference.**

The term "power tool" in the warnings refers to your mains-operated (corded) power tool or battery-operated (cordless) power tool.

Work area safety

- ▶ **Keep work area clean and well lit.** Cluttered or dark areas invite accidents.
- ▶ **Do not operate power tools in explosive atmospheres, such as in the presence of flammable liquids, gases or dust.** Power tools create sparks which may ignite the dust or fumes.
- ▶ **Keep children and bystanders away while operating a power tool.** Distractions can cause you to lose control.



Electrical safety

- ▶ **Power tool plugs must match the outlet. Never modify the plug in any way. Do not use any adapter plugs with earthed (grounded) power tools.** Unmodified plugs and matching outlets will reduce risk of electric shock.
- ▶ **Avoid body contact with earthed or grounded surfaces, such as pipes, radiators, ranges and refrigerators.** There is an increased risk of electric shock if your body is earthed or grounded.
- ▶ **Do not expose power tools to rain or wet conditions.** Water entering a power tool will increase the risk of electric shock.
- ▶ **Do not abuse the cord. Never use the cord for carrying, pulling or unplugging the power tool. Keep cord away from heat, oil, sharp edges or moving parts.** Damaged or entangled cords increase the risk of electric shock.
- ▶ **When operating a power tool outdoors, use an extension cord suitable for outdoor use.** Use of a cord suitable for outdoor use reduces the risk of electric shock.
- ▶ **If operating a power tool in a damp location is unavoidable, use a residual current device (RCD) protected supply.** Use of an RCD reduces the risk of electric shock.

Personal safety

- ▶ **Stay alert, watch what you are doing and use common sense when operating a power tool. Do not use a power tool while you are tired or under the influence of drugs, alcohol or medication.** A moment of inattention while operating power tools may result in serious personal injury.
- ▶ **Use personal protective equipment. Always wear eye protection.** Protective equipment such as a dust mask, non-skid safety shoes, hard hat or hearing protection used for appropriate conditions will reduce personal injuries.
- ▶ **Prevent unintentional starting. Ensure the switch is in the off-position before connecting to power source and/or battery pack, picking up or carrying the tool.** Carrying power tools with your finger on the switch or energising power tools that have the switch on invites accidents.
- ▶ **Remove any adjusting key or wrench before turning the power tool on.** A wrench or a key left attached to a rotating part of the power tool may result in personal injury.
- ▶ **Do not overreach. Keep proper footing and balance at all times.** This enables better control of the power tool in unexpected situations.
- ▶ **Dress properly. Do not wear loose clothing or jewellery. Keep your hair and clothing away from moving parts.** Loose clothes, jewellery or long hair can be caught in moving parts.
- ▶ **If devices are provided for the connection of dust extraction and collection facilities, ensure these are connected and properly used.** Use of dust collection can reduce dust-related hazards.
- ▶ **Do not let familiarity gained from frequent use of tools allow you to become complacent and ignore tool safety principles.** A careless action can cause severe injury within a fraction of a second.

Power tool use and care

- ▶ **Do not force the power tool. Use the correct power tool for your application.** The correct power tool will do the job better and safer at the rate for which it was designed.
- ▶ **Do not use the power tool if the switch does not turn it on and off.** Any power tool that cannot be controlled with the switch is dangerous and must be repaired.
- ▶ **Disconnect the plug from the power source and/or remove the battery pack, if detachable, from the power tool before making any adjustments, changing accessories, or storing power tools.** Such preventive safety measures reduce the risk of starting the power tool accidentally.
- ▶ **Store idle power tools out of the reach of children and do not allow persons unfamiliar with the power tool or these instructions to operate the power tool.** Power tools are dangerous in the hands of untrained users.
- ▶ **Maintain power tools and accessories. Check for misalignment or binding of moving parts, breakage of parts and any other condition that may affect the power tool's operation. If damaged, have the power tool repaired before use.** Many accidents are caused by poorly maintained power tools.
- ▶ **Keep cutting tools sharp and clean.** Properly maintained cutting tools with sharp cutting edges are less likely to bind and are easier to control.
- ▶ **Use the power tool, accessories and tool bits etc. in accordance with these instructions, taking into account the working conditions and the work to be performed.** Use of the power tool for operations different from those intended could result in a hazardous situation.
- ▶ **Keep handles and grasping surfaces dry, clean and free from oil and grease.** Slippery handles and grasping surfaces do not allow for safe handling and control of the tool in unexpected situations.



Service

- ▶ **Have your power tool serviced by a qualified repair person using only identical replacement parts.** This will ensure that the safety of the power tool is maintained.

2.2 Hammer safety warnings**Safety instructions for all operations**

- ▶ **Wear ear protectors.** Exposure to noise can cause hearing loss.
- ▶ **Use auxiliary handle(s), if supplied with the tool.** Loss of control can cause personal injury.
- ▶ **Hold the power tool by insulated gripping surfaces, when performing an operation where the cutting accessory may contact hidden wiring or its own cord.** Cutting accessory contacting a "live" wire may make exposed metal parts of the power tool "live" and could give the operator an electric shock.

Safety instructions when using long drill bits with rotary hammers

- ▶ **Always start drilling at low speed and with the bit tip in contact with the workpiece.** At higher speeds, the bit is likely to bend if allowed to rotate freely without contacting the workpiece, resulting in personal injury.
- ▶ **Apply pressure only in direct line with the bit and do not apply excessive pressure.** Bits can bend causing breakage or loss of control, resulting in personal injury.

2.3 Additional safety instructions**Personal safety**

- ▶ **Modification of the tool is not permitted.**
- ▶ **Keep the grips dry, clean and free from oil and grease.**
- ▶ **Check that the side handle is fitted correctly and tightened securely.**
- ▶ **Improve the blood circulation in your fingers by relaxing your hands and exercising your fingers during breaks between working.**
- ▶ **The power tool is not intended for use by debilitated persons who have received no special training.**
- ▶ **Keep the power tool out of reach of children.**
- ▶ **Avoid touching rotating parts. Switch the power tool on only after bringing it into position at the workpiece.** Touching rotating parts, especially rotating drill bits or other accessories, may lead to injury.
- ▶ **Always lead the supply cord and extension cord away from the power tool to the rear while working.** This helps to avoid tripping over the cord while working.
- ▶ **Dust from materials, such as paint containing lead, some wood species, concrete / masonry / stone containing silica, and minerals as well as metal, may be harmful.** Contact with or inhalation of the dust may cause allergic reactions and/or respiratory or other diseases to the operator or bystanders. Certain kinds of dust are classified as carcinogenic such as oak and beech dust, especially in conjunction with additives for wood conditioning (chromate, wood preservative). Material containing asbestos may be handled only by specialists. **Use a dust removal system whenever possible. To achieve a high level of dust collection, use a suitable vacuum cleaner. When indicated, wear a respirator appropriate for the type of dust generated. Ensure that the workplace is well ventilated. Follow national requirements for the materials you want to work with.**
- ▶ **In the event of a power failure or interruption in the electric supply, switch the power tool off, unplug the supply cord and release the switch lockbutton (if applicable).** This will prevent accidental restarting when the electric power returns.
- ▶ **If the work involves breaking right through, take the appropriate safety measures at the opposite side.** Parts breaking away could fall out and / or fall down and injure other persons.
- ▶ **Observe the nationally applicable industrial safety regulations.**

Electrical safety

- ▶ **Before beginning work, check the working area (e.g. using a metal detector) to ensure that no concealed electric cables or gas and water pipes are present.** External metal parts of the tool may become live, for example, when an electric power line is damaged accidentally. This presents a serious risk of electric shock.
- ▶ **Check the power tool's supply cord at regular intervals and have it replaced by a qualified specialist if found to be damaged. If the power tool's supply cord is damaged it must be replaced with a specially-prepared and approved supply cord available from Hilti Customer Service. Check extension cords at regular intervals and replace them if found to be damaged. Do not touch the supply cord or extension cord if it is damaged while working. Disconnect the supply cord plug from the power outlet.** Damaged supply cords or extension cords present a risk of electric shock.

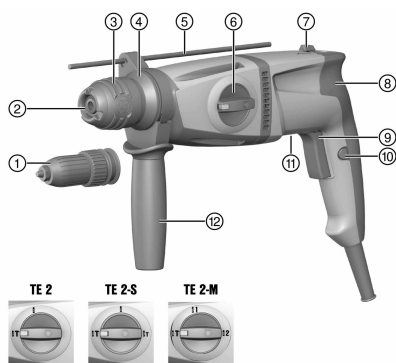


Personal safety

- ▶ **Wear protective gloves.** The rotary hammer may get hot during use. There is a risk of injury (cutting or burning) if the accessory tool is touched while changing it.

3 Description

3.1 Overview of the product 1



- ① Three-jaw chuck (TE 2-M)
- ② Dust shield
- ③ Chuck
- ④ Chuck locking ring (TE 2-M)
- ⑤ Depth gauge
- ⑥ Function selector switch
- ⑦ Forward / reverse switch
- ⑧ Grip
- ⑨ Control switch
- ⑩ Lockbutton
- ⑪ Rating plate
- ⑫ Side handle

3.2 Intended use

The product described is an electrically powered rotary hammer. It is designed for drilling in concrete, masonry, drywall / gypsum board, plastic, wood, metal and for driving and removing screws.

- ▶ The power tool may be operated only when connected to a power supply providing a voltage and frequency in compliance with the information given on its type plate.

3.3 Items supplied

Rotary hammer, side handle, depth gauge, operating instructions.

Other system products approved for use with this product can be found at your local **Hilti Store** or online at: www.hilti.group | USA: www.hilti.com

4 Technical data



For details of the rated voltage, current, frequency and/or input power, please refer to the power tool's country-specific type identification plate.

When powered by a generator or transformer, the generator or transformer's power output must be at least twice the rated input power shown on the rating plate of the power tool. The operating voltage of the transformer or generator must always be within +5% and -15% of the rated voltage of the power tool.

		TE 2	TE 2-S	TE 2-M
Weight in accordance with EPTA procedure 01		2.7 kg	2.7 kg	2.9 kg
Drilling diameter range in concrete/masonry (hammer drill bit)		4 mm ... 22 mm	4 mm ... 22 mm	4 mm ... 22 mm
Drilling diameter range in wood (solid)	1	4 mm ... 20 mm	4 mm ... 20 mm	10 mm ... 20 mm
	2	•/•	•/•	4 mm ... 10 mm
Drilling diameter range in metal (solid-head drill bit)	1	3 mm ... 13 mm	3 mm ... 13 mm	8 mm ... 13 mm
	2	•/•	•/•	3 mm ... 8 mm
Maximum length of the depth gauge		180 mm	180 mm	180 mm



4.1 Noise information and vibration values in accordance with EN 62841

The sound pressure and vibration values given in these instructions were measured in accordance with a standardized test and can be used to compare one power tool with another. They can also be used for a preliminary assessment of exposure.

The data given represent the main applications of the power tool. However, if the power tool is used for different applications, with different accessory tools, or is poorly maintained, the data can vary. This can significantly increase exposure over the total working period.

An accurate estimation of exposure should also take into account the times when the power tool is switched off, or when it is running but not actually being used for a job. This can significantly reduce exposure over the total working period.

Identify additional safety measures to protect the operator from the effects of noise and/or vibration, for example: maintaining the power tool and accessory tools, keeping the hands warm, organization of work patterns.

Noise information

Sound power level (L_{WA})	102.1 dB(A)
Uncertainty for the sound power level (K_{WA})	3 dB(A)
Emission sound pressure level (L_{pA})	91.1 dB(A)
Uncertainty for the sound pressure level (K_{pA})	3 dB(A)

Vibration information

Vibration emission value for hammer drilling in concrete ($a_{h, HD}$)	12.1 m/s ²
Vibration emission value for drilling in metal ($a_{h, D}$)	2.8 m/s ²
Uncertainty for the given vibration value (K)	1.5 m/s ²

5 Operation

Fitting the side handle CAUTION Risk of injury! The depth gauge, if fitted but not used, might hinder the operator. ▶ Remove the depth gauge from the tool. <hr/> CAUTION Risk of injury! Loss of control over the product. ▶ Check that the side handle is fitted correctly and tightened securely. Check that the clamping band is engaged in the groove in the product.	2
TE 2-M Fitting / removing the chuck	3
Fitting/removing the drill bit or other accessory: SDS chuck Use of unsuitable grease may cause damage to the product. Use only the recommended grease supplied by Hilti.	4
TE 2-M Fitting/removing the drill bit or other accessory: Quick-release chuck	5
Adjusting the depth gauge Always pay attention to the maximum length of the depth gauge.	6
Drilling with hammering action (hammer drilling) 	7
TE 2-S Light hammering action 	7



TE 2 TE 2-S	7
Drilling	
TE 2-M	7
Drilling in first gear or drilling in second gear	
Forward / reverse	8
ATTENTION Risk of damage Actuation while the tool is running may result in damage to the gearing. ▶ Do not operate the forward / reverse switch while the motor is running.	

6 Care and maintenance

WARNING

Electric shock hazard! Attempting care and maintenance with the supply cord connected to a power outlet can lead to severe injury and burns.

- ▶ Always unplug the supply cord before carrying out care and maintenance tasks.

Care

- Carefully remove stubborn dirt from the tool.
- Clean the air vents carefully with a dry brush.
- Use only a slightly damp cloth to clean the casing. Do not use cleaning agents containing silicone as they can attack the plastic parts.

Maintenance

WARNING

Danger of electric shock! Improper repairs to electrical components may lead to serious injuries including burns.

- ▶ Repairs to the electrical section of the tool or appliance may be carried out only by trained electrical specialists.
- Check all visible parts and controls for signs of damage at regular intervals and make sure that they all function correctly.
- Do not operate the product if signs of damage are found or if parts malfunction. Have it repaired immediately by **Hilti Service**.
- After cleaning and maintenance, fit all guards or protective devices and check that they function correctly.



To help ensure safe and reliable operation, use only genuine Hilti spare parts and consumables. Spare parts, consumables and accessories approved by Hilti for use with the product can be found at your local **Hilti Store** or online at: www.hilti.group.

6.1 Replacing the dust shield

- ▶ Replace the dust shield.

7 Transport and storage





- Do not transport electric tools with accessory tools fitted.
- Always unplug the supply cord before storing an electric tool or appliance.
- Store tools and appliances in a dry place where they cannot be accessed by children or unauthorized persons.
- Check electric tools or appliances for damage after long periods of transport or storage.

8 Troubleshooting


If the trouble you are experiencing is not listed in this table or you are unable to remedy the problem by yourself, please contact **Hilti Service**.



8.1 Troubleshooting

Trouble or fault	Possible cause	Action to be taken
The power tool doesn't start.	Interruption in the electric supply.	▶ Plug in another electric tool or appliance and check whether it works.
No hammering action.	The power tool is too cold.	▶ Bring the tip of the drill bit into contact with the working surface, switch the rotary hammer on and allow it to run. If necessary, repeat the procedure until the hammering mechanism begins to operate.
	The function selector switch is set to "Rotary drilling only"  .	▶ Set the function selector switch to the "Hammer drilling" position  .
The rotary hammer doesn't achieve full power.	The control switch is not fully pressed.	▶ Press the control switch as far as it will go.
	TE 2-S Function selector switch set to "Light hammering action"  .	▶ Set the function selector switch to the "Hammer drilling" position  .
	The gauge (cross section) of the extension cord conductors is inadequate.	▶ Use an extension cord with an adequate conductor cross section.
The drill bit cannot be released.	The chuck is not pulled back fully.	▶ Pull the tool lock back as far as it will go and remove the tool.
The drill bit makes no progress.	The power tool has been set to reverse rotation.	▶ Set the power tool to forward rotation.

9 Disposal

 Most of the materials from which **Hilti** tools and appliances are manufactured can be recycled. The materials must be correctly separated before they can be recycled. In many countries, your old tools, machines or appliances can be returned to **Hilti** for recycling. Ask **Hilti** Service or your Hilti representative for further information.



- ▶ Do not dispose of power tools, electronic equipment or batteries as household waste!

10 RoHS (Restriction of Hazardous Substances)

The following link takes you to the table of dangerous substances: qr.hilti.com/r3682, (TE 2), qr.hilti.com/r3684 (TE 2-M) and qr.hilti.com/r3683 (TE 2-S).

You will find a link to the RoHS table, in the form of a QR code, at the end of this document.

11 Manufacturer's warranty

- ▶ Please contact your local **Hilti** representative if you have questions about the warranty conditions.



Original brugsanvisning

1 Om brugsanvisningen

1.1 Om denne brugsanvisning

- Læs brugsanvisningen grundigt igennem inden ibrugtagning. Det er en forudsætning for sikkert arbejde og korrekt håndtering.
- Følg sikkerhedsanvisningerne og advarselerne i denne brugsanvisning og på produktet.
- Opbevar altid brugsanvisningen sammen med produktet, og overdrag kun produktet til andre personer sammen med denne brugsanvisning.

1.2 Tegnforklaring

1.2.1 Advarsler

Advarsler advarer mod farer ved håndtering af produktet. Følgende signalord anvendes:



FARE !

- ▶ Betegner en umiddelbart truende fare, der kan medføre alvorlige kvæstelser eller døden.



ADVARSEL !

- ▶ Står ved en potentielt truende fare, der kan medføre alvorlige kvæstelser eller døden.



FORSIGTIG !

- ▶ Advarer om en potentielt farlig situation, der kan forårsage personskader eller materielle skader.

1.2.2 Symboler i brugsanvisningen

Der benyttes følgende symboler i denne brugsanvisning:

	Se brugsanvisningen
	Anvisninger for anvendelse og andre nyttige oplysninger
	Håndtering af genvindbare materialer
	Elektriske maskiner og batterier må ikke bortskaffes som almindeligt husholdningsaffald

1.2.3 Symboler i illustrationer

Følgende symboler anvendes på illustrationer:

	Disse tal henviser til den pågældende illustration i begyndelsen af denne brugsanvisning.
3	Nummereringen i illustrationerne henviser til vigtige arbejdsstrin eller for arbejdsstrin til vigtige komponenter. I teksten fremhæves disse arbejdsstrin eller komponenter med tilhørende numre, f.eks. (3).
	Positionsnumre anvendes i illustrationen Oversigt og refererer til tallene i symbolforklaringen i afsnittet Produktoversigt .
	Dette symbol skal sikre skærpet opmærksomhed ved omgang med produktet.

1.3 Produktspecifikke symboler

1.3.1 Symboler på produktet

Følgende symboler anvendes på produktet:



	Boring uden slagfunktion
	Boring med slagfunktion (hammerboring)
	Boring uden slagfunktion 1. trin
	Boring uden slagfunktion 2. trin
	Finslagfunktion
	Højre-/venstreløb
n_0	Nominelt omdrejningstal ubelastet
/min	Omdrejninger pr. minut
	Kapslingsklasse II (dobbeltisoleret)

1.4 Produktoplysninger

Hilti-produkter er beregnet til professionel brug og må kun betjenes, efterses og vedligeholdes af autoriseret og instrueret personale. Dette personale skal i særdeleshed informeres om de potentielle farer, der er forbundet med brugen af dette produkt. Der kan opstå farlige situationer ved anvendelse af produktet og det tilhørende udstyr, hvis det anvendes af personer, der ikke er blevet undervist i dens brug, eller hvis det ikke anvendes korrekt i henhold til forskrifterne i denne brugsanvisning.

Typebetegnelse og serienummer fremgår af typeskiltet.

- ▶ Notér serienummeret i den efterfølgende tabel. Du skal bruge produktoplysningerne ved henvendelser til vores lokale afdeling eller vores serviceværksted.

Produktoplysninger

Borehammer	TE 2 TE 2-S TE 2-M
Generation	02
Serienummer	

1.5 Overensstemmelseserklæring

Vi erklærer som eneansvarlige, at det beskrevne produkt er i overensstemmelse med gældende direktiver og standarder. Sidst i dette dokument finder du et bilede af overensstemmelseserklæringen.

Den tekniske dokumentation er arkiveret her:

Hilti Entwicklungsgesellschaft mbH | Zulassung Geräte | Hiltistraße 6 | 86916 Kaufering, DE

2 Sikkerhed

2.1 Generelle sikkerhedsanvisninger for elværktøj

⚠ ADVARSEL Læs alle sikkerhedsanvisninger, henvisninger, billedtekster og tekniske data på elværktøjet. Hvis følgende anvisninger ikke overholdes, er der risiko for elektrisk stød, brand og/eller alvorlige personskader.

Opbevar alle sikkerhedsanvisninger og instruktioner til senere brug.

Det benyttede begreb "elværktøj" i sikkerhedsanvisningerne refererer til elektriske maskiner (med netledning) eller batteridrevne maskiner (uden netledning).

Arbejdspladssikkerhed

- ▶ **Sørg for at holde arbejdsområdet ryddeligt og godt oplyst.** Uorden eller uoplyste arbejdsområder øger faren for uheld.
- ▶ **Brug ikke elværktøj i eksplosionstruede omgivelser, hvor der er brændbare væsker, gasser eller støv.** Elværktøj kan slå gnister, der kan antænde støv eller dampe.
- ▶ **Sørg for, at andre personer og ikke mindst børn holdes væk fra arbejdsområdet, når elværktøjet er i brug.** Hvis man distraheres, kan man miste kontrollen over maskinen.



Elektrisk sikkerhed

- ▶ **Elværktøjets stik skal passe til kontakten. Stikket må under ingen omstændigheder ændres. Brug ikke adapterstik sammen med jordforbundne elværktøjer.** Uændrede stik, der passer til kontakterne, nedsætter risikoen for elektrisk stød.
- ▶ **Undgå kropskontakt med jordforbundne overflader som f.eks. rør, radiatorer, komfurer og køleskabe.** Hvis din krop er jordforbundet, øges risikoen for elektrisk stød.
- ▶ **Elværktøj må ikke udsættes for regn eller fugt.** Indtrængning af vand i elværktøj øger risikoen for elektrisk stød.
- ▶ **Brug ikke ledningen til formål, den ikke er beregnet til (f.eks. må man aldrig bære elværktøjet i ledningen, hænge det op i ledningen eller rykke i ledningen for at trække stikket ud af kontakten). Beskyt ledningen mod varme, olie, skarpe kanter eller dele, der er i bevægelse.** Beskadigede eller sammenviklede ledninger øger risikoen for elektrisk stød.
- ▶ **Hvis elværktøjet benyttes i det fri, må der kun benyttes en forlængerledning, der er egnet til udendørs brug.** Brug af forlængerledning til udendørs brug nedsætter risikoen for elektrisk stød.
- ▶ **Hvis det ikke kan undgås at anvende elværktøjet i fugtige omgivelser, skal du anvende et fejlstrømsrelæ.** Anvendelsen af et fejlstrømsrelæ nedsætter risikoen for et elektrisk stød.

Personlig sikkerhed

- ▶ **Det er vigtigt at være opmærksom, se, hvad man laver, og bruge maskinen fornuftigt. Anvend aldrig elværktøj, hvis du er træt eller påvirket af stoffer, alkohol eller medicin.** Et øjeblik uopmærksomhed under brugen af elværktøjet kan medføre alvorlige personskader.
- ▶ **Brug beskyttelsesudstyr, og hav altid beskyttelsesbriller på.** Brug af sikkerhedsudstyr som f.eks. støvmaske, skridsikkert fodtøj, beskyttelseshjelm eller høreværn afhængigt af elværktøjets type og anvendelse nedsætter risikoen for personskader.
- ▶ **Undgå utilsigtet igangsætning. Kontrollér, at elværktøjet er frakoblet, før du slutter det til strømforsyningen og/eller batteriet, tager det op eller transporterer det.** Undgå at bære elværktøjet med fingeren på afbryderen, og sørg for, at det ikke er tændt, når det sluttes til nettet, da dette øger risikoen for personskader.
- ▶ **Fjern indstillingsværktøj eller skruenøgler, inden elværktøjet tændes.** Hvis et stykke værktøj eller en nøgle sidder i en roterende maskindel, er der risiko for personskader.
- ▶ **Undgå at arbejde i unormale kroppsstillinger. Sørg for at stå sikkert, mens der arbejdes, og kom ikke ud af balance.** Det er derved nemmere at kontrollere elværktøjet, hvis der skulle opstå uventede situationer.
- ▶ **Brug egnet arbejdstøj. Undgå løse beklædningsgenstande eller smykker. Hold hår, tøj og handsker væk fra dele, der bevæger sig.** Dele, der er i bevægelse, kan gribe fat i løstsiddende tøj, smykker eller langt hår.
- ▶ **Hvis støvudsugnings- og opsamlingsudstyr kan monteres, er det vigtigt, at dette tilsluttes og benyttes korrekt.** Ved at anvende en støvudsugning er det muligt at nedsætte risiciene som følge af støv.
- ▶ **Man må ikke ignorere sikkerhedsreglerne for elværktøj, heller ikke selvom man er fortrolig med brugen af elværktøjet.** Uagtsomhed kan medføre alvorlig tilskadekomst inden for få sekunder.

Anvendelse og pleje af elværktøjet

- ▶ **Undgå at overbelaste maskinen. Brug altid en maskine, der er beregnet til det stykke arbejde, der skal udføres.** Med det rigtige værktøj arbejder man bedst og mest sikkert inden for det angivne effektområde.
- ▶ **Brug ikke elværktøj, hvis afbryderen er defekt.** En maskine, der ikke kan startes og stoppes, er farlig og skal repareres.
- ▶ **Træk stikket ud af stikkontakten, og/eller fjern batteriet fra maskinen, inden du foretager indstillinger på den, skifter tilbehør og dele eller lægger den til side.** Disse sikkerhedsforanstaltninger forhindrer utilsigtet start af elværktøjet.
- ▶ **Opbevar ubenyttede elværktøjer uden for børns rækkevidde. Lad aldrig personer, der ikke er fortrolige med maskinen eller ikke har gennemlæst sikkerhedsanvisningerne, benytte denne.** Elværktøj er farligt, hvis det benyttes af ukyndige personer.
- ▶ **Sørg for at pleje elværktøj omhyggeligt. Kontrollér, om bevægelige dele fungerer korrekt og ikke sidder fast, og om delene er brækket eller beskadiget, således at elværktøjets funktion påvirkes. Få beskadigede dele repareret, inden elværktøjet tages i brug.** Mange uheld skyldes dårligt vedligeholdte elværktøjer.
- ▶ **Sørg for, at skæreværktøjer er skarpe og rene.** Omhyggeligt vedligeholdte skæreværktøjer med skarpe skærekanter sætter sig ikke så hurtigt fast og er nemmere at føre.



- ▶ **Anvend elværktøj, tilbehør, indsatsværktøj osv. i overensstemmelse med disse anvisninger. Tag hensyn til arbejdsforholdene og det arbejde, der skal udføres.** I tilfælde af anvendelse af maskinen til formål, som ligger uden for det fastsatte anvendelsesområde, kan der opstå farlige situationer.
- ▶ **Sørg for, at greb og gribeblader er tørre, rene og fri for olie og fedt.** Glatte greb og gribeblader gør betjeningen usikker, og det kan være svært at styre elværktøjet i uforudsete situationer.

Service

- ▶ **Sørg for, at elværktøjet kun repareres af kvalificerede fagfolk, og at der altid benyttes originale reservedele.** Dermed sikres størst mulig elværktøjsikkerhed.

2.2 Sikkerhedsanvisninger til hamre

Sikkerhedsanvisninger for alle opgaver

- ▶ **Brug høreværn.** Støjpåvirkningen kan medføre høretab.
- ▶ **Brug de ekstrahåndgreb, som følger med maskinen.** Hvis du mister kontrollen, kan det medføre personskader.
- ▶ **Hold kun maskinen i de isolerede håndtag, når du udfører arbejder, hvor indsatsværktøjet kan ramme skjulte elledninger eller maskinens netkabel.** Ved kontakt med en spændingsførende ledning kan også metalliske værktøjsdele sættes under spænding, hvilket kan medføre elektrisk stød.

Sikkerhedsanvisninger ved anvendelse af lange bor

- ▶ **Begynd altid borearbejdet med lavt omdrejningstal, og mens boret har kontakt med emnet.** Ved højere omdrejningstal kan boret let blive bøjet, hvis det kan rotere frit uden kontakt med emnet, og medføre personskader.
- ▶ **Udøv ikke et for højt tryk på boret og kun i borets længderetning.** Bor kan blive bøjet og ende med at brække eller medføre tab af kontrollen og resultere i personskader.

2.3 Yderligere sikkerhedsanvisninger

Personlig sikkerhed

- ▶ **Det er ikke tilladt at modificere eller ændre maskinen.**
- ▶ **Hold håndtagene tørre, rene og fri for olie og fedt.**
- ▶ **Kontrollér, at sidetrebet er monteret rigtigt og fastgjort korrekt.**
- ▶ **Hold pauser under arbejdet, og lav afspændings- og fingerøvelser, så dine fingre får en bedre blodgennemstrømning.**
- ▶ **Maskinen er ikke beregnet til svagelige personer uden instruktion.**
- ▶ **Maskinen skal opbevares uden for små børns rækkevidde.**
- ▶ **Undgå at berøre roterende dele. Tænd først maskinen, når du befinder dig i arbejdsområdet.** Berøring af roterende dele, især roterende værktøjer, kan medføre personskader.
- ▶ **Træk under arbejdet altid netledningen og forlængerledningen bagud væk fra maskinen.** Dette nedsætter risikoen for at falde over ledningen under arbejdet.
- ▶ **Støv fra materialer såsom blyholdig maling, visse træsorter, beton / murværk / natursten, som indeholder kvarts, og mineraler samt metal kan være sundhedsfarlige.** Berøring eller indånding af støv kan medføre allergiske reaktioner og/eller luftvejssygdomme hos brugeren eller personer, der opholder sig i nærheden. Bestemte støvtyper, f.eks. støv fra ege- og bøgetræ, er kræftfremkaldende, især i forbindelse med tilsætningsstoffer til træbehandling (kromat, træbeskyttelsesmidler). Asbestholdige materialer må kun håndteres af fagfolk. **Anvend så vidt muligt støvudsugning. For at opnå en høj grad af støvudsugning skal du anvende en egnet mobil støvsuger. Brug om nødvendigt et åndedrætsværn, som egner sig til den pågældende støvtype. Sørg for god udluftning af arbejdspladsen. Overhold de gældende nationale forskrifter vedrørende de materialer, der skal bearbejdes.**
- ▶ **Sluk maskinen, og træk netskikket ud i tilfælde af en strømafbrydelse; frigør i givet fald afbryderen.** Dette forhindrer utilsigtet ibrugtagning af maskinen, når strømmen vender tilbage.
- ▶ **Ved gennembrydningsarbejde skal du huske at sikre området på den modsatte side.** Nedbrydningsdele kan falde ud og/eller ned og volde skade på andre personer.
- ▶ **Opfyld også de nationale krav til arbejdssikkerhed.**

Elektrisk sikkerhed

- ▶ **Kontrollér før påbegyndelse af arbejdet arbejdsområdet for skjulte elektriske ledninger, gas- og vandrør, f.eks. med en metaldetektor.** Udvendige metaldele på maskinen kan blive spændingsførende, hvis du f.eks. utilsigtet har beskadiget en elledning. Dette medfører en alvorlig fare for at få elektrisk stød.
- ▶ **Kontrollér maskinens tilslutningsledning regelmæssigt, og få den udskiftet af en autoriseret fagmand, hvis den er beskadiget. Hvis tilslutningskablet til det elektriske værktøj er ødelagt, skal det udskiftes med en særlig og godkendt tilslutningsledning, der fås i kundeserviceafdelingen.**



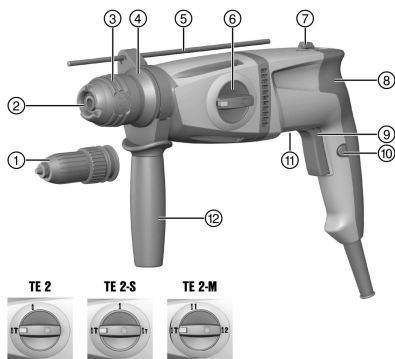
Kontrollér jævnligt forlængerledningerne, og udskift dem, hvis de er beskadigede. Hvis el- eller forlængerledningen bliver beskadiget under arbejdet, må du ikke røre ved ledningen. Træk stikket ud af stikkontakten. Beskadigede netledninger og forlængerledninger medfører fare for at få elektrisk stød.

Personlig sikkerhed

- **Brug arbejdshandsker.** Borehammeren kan blive varm under driften. Ved skift af værktøj kan berøring af værktøjet medføre snitsår og forbrændinger.

3 Beskrivelse

3.1 Produktoversigt



- ① Patron med tre kæber (TE 2-M)
- ② Støvkappe
- ③ Værktøjsholder
- ④ Værktøjsholder, låsemekanisme (TE 2-M)
- ⑤ Dybdestop
- ⑥ Funktionsvælger
- ⑦ Omskifter til valg af højre-/venstrelob
- ⑧ Håndgreb
- ⑨ Afbryder
- ⑩ Låseknop
- ⑪ Typeskilt
- ⑫ Sidegreb

3.2 Bestemmelsesmæssig anvendelse

Det beskrevne produkt er en elektrisk borehammer. Den er beregnet til boreopgaver i beton, murværk, gipsplader, træ, kunststof og metal samt iskrøning og løsning af skruer.

- Maskinen må kun sluttes til den netspænding og -frekvens, som er angivet på typeskiltet.

3.3 Leveringsomfang

Borehammer, sidegreb, dybdestop, brugsanvisning.

Andre systemprodukter, som er godkendt til dit produkt, finder du i dit **Hilti Store** eller online på adressen: www.hilti.group | USA: www.hilti.com

4 Tekniske data



Nominal spænding, nominal strøm, frekvens og / eller nominelt strømforbrug fremgår af det landespecifikke typeskilt.

Ved drift på en generator eller transformator skal dennes udgangseffekt være mindst dobbelt så høj som det nominelle strømforbrug, der fremgår af maskinens typeskilt. Transformatorens eller generatorens driftsspænding skal til enhver tid ligge inden for +5 % og -15 % af maskinens nominelle spænding.

		TE 2	TE 2-S	TE 2-M
Vægt i overensstemmelse med EPTA-procedure 01		2,7 kg	2,7 kg	2,9 kg
Boreområde i beton/murværk (hammerbor)		4 mm ... 22 mm	4 mm ... 22 mm	4 mm ... 22 mm
Boredybde i træ (fuldboring)	1	4 mm ... 20 mm	4 mm ... 20 mm	10 mm ... 20 mm
	2	•/•	•/•	4 mm ... 10 mm
Boreområde i metal (massivt bor)	1	3 mm ... 13 mm	3 mm ... 13 mm	8 mm ... 13 mm



		TE 2	TE 2-S	TE 2-M
Boreområde i metal (massivt bor)	2	*/*	*/*	3 mm ... 8 mm
Maks. længde af dybdestop		180 mm	180 mm	180 mm

4.1 Støjinformation og vibrationsværdier iht. EN 62841

Lydtryk- og vibrationsværdier i denne brugsanvisning er målt i henhold til en standardiseret målemetode og kan anvendes til sammenligning af forskellige elværktøjer. De kan også anvendes til en foreløbig vurdering af den eksponering, brugeren udsættes for.

De anførte data repræsenterer elværktøjets primære anvendelsesformål. Hvis elværktøjet imidlertid anvendes til andre formål, med andre indsatsværktøjer eller utilstrækkelig vedligeholdelse, kan dataene afvige. Dette kan føre til en eksponering, som brugeren udsættes for, i hele arbejdstiden markant.

For at opnå en præcis vurdering af den eksponering, som brugeren udsættes for, bør også den tid, hvor elværktøjet er slukket eller blot kører uden at blive anvendt, inddrages. Dette kan reducere den eksponering, som brugeren udsættes for, i hele arbejdstiden markant.

Fastlæg yderligere sikkerhedsforanstaltninger til beskyttelse af brugeren mod støj- og/eller vibrationspåvirkninger, f.eks. er det vigtigt at vedligeholde elværktøj og indsatsværktøj, at holde hænderne varme og at organisere arbejdsprocesserne.

Støjinformation

Lydeffektniveau (L_{WA})	102,1 dB(A)
Usikkerhed, lydeffektniveau (K_{WA})	3 dB(A)
Lydtrykniveau (L_{pA})	91,1 dB(A)
Usikkerhed, lydtrykniveau (K_{pA})	3 dB(A)

Vibrationsinformation

Vibrationsemissionsværdi, borehamring i beton ($a_{h, HD}$)	12,1 m/s^2
Vibrationsemissionsværdi, boring i metal ($a_{h, D}$)	2,8 m/s^2
Usikkerhed for de nævnte vibrationsværdier (K)	1,5 m/s^2

5 Betjening

Montering af sidegreb FORSIGTIG Fare for personskader! Fare for at hæmme brugeren, hvis dybdestoppet er monteret, men ikke anvendes. ► Tag dybdestoppet af maskinen.	2
FORSIGTIG Fare for personskader! Tab af kontrol over produktet. ► Kontrollér, at sidegrebet er monteret rigtigt og fastgjort korrekt. Kontrollér, at spændebåndet ligger i den dertil beregnede not på produktet.	
TE 2-M	3
Afmontering/montering af værktøjsholder	
Indsætning/udtagning af værktøj: SDS-værktøjsholder Hvis der anvendes en feddtype, som ikke egner sig, kan det medføre skader på produktet. Anvend kun originalt fedt fra Hilti.	4
TE 2-M	5
Indsætning/udtagning af værktøj: Selvspændende borepatron	
Indstilling af dybdestop Overhold altid den maksimale længde af dybdestoppet.	6



Boring med slagfunktion (hammerboring) 	7
TE 2-S	7
Finslagfunktion 	
TE 2 TE 2-S	7
Boring 	
TE 2-M	7
Boring i første gear eller Boring i andet gear 	
Højre-/venstre løb	8
 VIGTIGT	
Fare for beskadigelse Aktivering under brugen kan medføre gearskader. ▶ Kontakten til valg af højreløb/venstre løb må ikke betjenes under brugen.	

6 Rengøring og vedligeholdelse

ADVARSEL

Fare på grund af elektrisk stød! Pleje og vedligeholdelse med isat netstik kan medføre alvorlige personskader og forbrændinger.

- ▶ Træk altid netstikket ud før alle pleje- og vedligeholdelsesarbejder!

Pleje

- Fjern forsigtigt fastsiddende snavs.
- Rengør forsigtigt ventilationsåbningerne med en tør børste.
- Rengør kun kabinettet med en let fugtet klud. Undlad at anvende silikoneholdige plejemidler, da de kan angribe plastdelene.

Vedligeholdelse

ADVARSEL

Fare for elektrisk stød! Fagmæssigt ukorrekte reparationer på elektriske dele kan medføre alvorlige personskader og forbrændinger.

- ▶ Reparationer på eldelene må kun udføres af en elektriker.
- Kontrollér regelmæssigt alle synlige dele for skader, og at betjeningselementerne fungerer fejlfrit.
- Anvend ikke produktet i tilfælde af beskadigelse og/eller funktionsfejl. Få omgående udført reparation hos **Hilti Service**.
- Monter alle beskyttelsesanordninger efter pleje- og vedligeholdelsesarbejder, og kontrollér dem for funktion.



Anvend kun originale reservedele og forbrugsmaterialer af hensyn til en sikker drift. Reservedele, forbrugsmaterialer og tilbehør til dit produkt, som vi har godkendt, finder du i dit **Hilti Store Center** eller under: www.hilti.group.

6.1 Udskiftning af støvkappe

- ▶ Udskift støvkappen.

7 Transport og opbevaring





- Transportér ikke elværktøj med isat værktøj.
- Opbevar altid elværktøj med netstikket trukket ud.
- Opbevar maskinen tørt og utilgængeligt for børn og uvedkommende personer.
- Efter længerevarende transport eller opbevaring skal elværktøjet kontrolleres for skader før ibrugtagning.




8 Fejlafhjælpning

Ved fejl, som ikke fremgår af denne tabel, eller som du ikke selv kan afhjælpe, beder vi dig om at kontakte Hilti Service.

8.1 Fejlafhjælpning

Fejl	Mulig årsag	Løsning
Maskinen starter ikke.	Strømforsyning afbrudt.	▶ Tilslut en anden elektrisk maskine, og kontrollér dennes funktion.
Ingen slagfunktion.	Maskine for kold.	▶ Sæt borehammeren på underlaget, og lad den køre i tomgang. Gentag om nødvendigt proceduren, indtil slagmekanismen arbejder.
	Funktionsvælger på "Boring uden slagfunktion"  .	▶ Sæt funktionsvælgeren på positionen "Hammerboring"  T.
Borehammeren har ikke fuld ydelse.	Afbryderen er ikke trykket helt ind.	▶ Tryk afbryderen helt ind til anslag.
	TE 2-S Funktionsvælger på "Finslagfunktion"  T.	▶ Sæt funktionsvælgeren på positionen "Hammerboring"  T.
	Forlængerledning har for lille tværsnit.	▶ Anvend en forlængerledning med tilstrækkeligt tværsnit.
Boret kan ikke frigøres.	Borepatronen er ikke trukket helt tilbage.	▶ Træk værktøjslåsen tilbage indtil anslag, og tag værktøjet ud.
Boret trænger ikke ind.	Maskinen er indstillet til venstrelob.	▶ Indstil maskinen til højrelob.

9 Bortskaffelse

 Størstedelen af de materialer, som anvendes ved fremstillingen af Hilti-produkter, kan genvindes. Materialerne skal sorteres, før de kan genvindes. I mange lande modtager Hilti dine udtjente maskiner med henblik på genvinding. Spørg Hilti kundeservice eller din forhandler.



- ▶ Elværktøj, elektriske maskiner og batterier må ikke bortskaffes sammen med almindeligt husholdningsaffald!

10 RoHS (direktiv til begrænsning af anvendelsen af farlige stoffer)

Under følgende link finder du tabellen med farlige stoffer: qr.hilti.com/r3682, (TE 2), qr.hilti.com/r3684 (TE 2-M) og qr.hilti.com/r3683 (TE 2-S).

Et link til RoHS-tabellen finder du i slutningen af denne dokumentation som QR-kode.

11 Producentgaranti

- ▶ Hvis du har spørgsmål vedrørende garantibetingelserne, bedes du henvende dig til din lokale Hilti-partner.



Originalbruksanvisning

1 Anvisningar om bruksanvisning

1.1 Om denna bruksanvisning

- Läs noga igenom den här bruksanvisningen innan du använder verktyget. Det är en förutsättning för säkert arbete och problemfri hantering.
- Observera de säkerhets- och varningsanvisningar som du hittar i denna bruksanvisning och på produkten.
- Förvara alltid bruksanvisningen tillsammans med produkten och överlämna aldrig produkten till någon annan utan att bifoga den.

1.2 Teckenförklaring

1.2.1 Varningar

Varningarna är till för att varna för risker i samband med användning av produkten. Följande riskindikeringar används:



FARA

FARA !

- ▶ Anger överhängande risker som kan leda till svåra personskador eller dödsolycka.



VARNING

VARNING !

- ▶ Anger potentiella risker som kan leda till svåra personskador eller dödsfall.



FÖRSIKTIGHET

FÖRSIKTIGHET !

- ▶ Används för att uppmärksamma om en potentiell risksituation som kan leda till skador på person eller utrustning.

1.2.2 Symboler i bruksanvisningen

I den här bruksanvisningen används följande symboler:

	Observera bruksanvisningen
	Anmärkningar och annan praktisk information
	Hantering av återvinningsbara material
	Elverktyg och batterier får inte kastas i hushållssoptorna

1.2.3 Symboler i bilderna

Följande symboler används i bilder:

	Dessa siffror hänvisar till motsvarande bild i början av bruksanvisningen.
	Numreringen i bilderna hänvisar till viktiga arbetsmoment eller viktiga komponenter för arbetsmomenten. I texten framhävs dessa arbetsmoment eller komponenter med motsvarande nummer, t.ex. (3) .
	I bilden Översikt används positionsnummer och hänvisar till siffrorna i teckenförklaringen i avsnittet Produktöversikt .
	Det här tecknet är till för att du ska vara extra uppmärksam på något som gäller hur du hanterar produkten.



1.3 Produktberoende symboler

1.3.1 Symboler på produkten

Följande övriga symboler används på produkten:

	Borring utan slag
	Borring med slag (hammarborring)
	Borring utan slag 1:a växeln
	Borring utan slag 2:a växeln
	Finslag
	Rotationsriktning
n_0	Nominellt varvtal, obelastat
/min	Varv per minut
	Skyddstyp II (dubbelisolerad)

1.4 Produktinformation

Hilti-produkter är avsedda för den yrkesmässiga användaren och får endast användas, underhållas och sättas igång av auktoriserad, utbildad personal. Personalen måste vara särskilt informerad om de risker som finns. Produkten och dess tillbehör kan utgöra en risk om den används på ett felaktigt sätt av utbildad personal eller inte används enligt föreskrifterna.

Typbeteckning och serienummer anges på typskylten.

- ▶ Använd de serienummer som anges i följande tabell. Du behöver produktuppgifterna när du kontaktar vår återförsäljare eller serviceverkstad.

Produkt detaljer

Borrhammare	TE 2 TE 2-S TE 2-M
Generation	02
Serienr	

1.5 Försäkran om överensstämmelse

Vi försäkras på eget ansvar att den produkt som beskrivs här överensstämmer med gällande direktiv och standarder. En bild på försäkran om överensstämmelse hittar du i slutet av dokumentationen.

Den tekniska dokumentationen finns sparad här:

Hilti Entwicklungsgesellschaft mbH | Zulassung Geräte | Hiltistraße 6 | 86916 Kaufering, Tyskland

2 Säkerhet

2.1 Allmänna säkerhetsföreskrifter för elverktyg

⚠ VARNING Läs noga igenom alla säkerhetsföreskrifter, anvisningar, avbildningar och tekniska data som medföljer detta elverktyg. Om nedanstående anvisningar inte följs, finns risk för elektriska stötar, brand och/eller svåra skador.

Förvara alla säkerhetsföreskrifter och anvisningarna på ett säkert ställe för framtida användning.

Begreppet "elverktyg" som används i säkerhetsföreskrifterna avser nätdrivna elverktyg (med nätkabel) och batteridrivna elverktyg (sladdlösa).

Säker arbetsmiljö

- ▶ **Håll arbetsområdet rent och väl belyst.** Oordning eller bristfällig belysning på arbetsplatsen kan leda till olyckor.
- ▶ **Arbeta inte med elverktyget i omgivningar med explosionsrisk där det finns brännbara vätskor, gaser eller damm.** Elverktyg alstrar gnistor som kan antända dammet eller gaserna.



- ▶ **Håll barn och obehöriga personer på betryggande avstånd under arbetet med elverktyget.** Om du störs av obehöriga personer kan du förlora kontrollen över verktyget.

Elsäkerhet

- ▶ **Elverktygets elkontakt måste passa till vägguttaget. Elkontakten får absolut inte ändras. Använd inte adapterkontakter tillsammans med skyddsjordade elverktyg.** Originalkontakter och lämpliga vägguttag minskar risken för elstötar.
- ▶ **Undvik kroppskontakt med jordade ytor som rör, värmeelement, spisar och kylskåp.** Det finns en större risk för elstötar om din kropp är jordad.
- ▶ **Skydda elverktyget från regn och väta.** Tränger vatten in i ett elverktyg ökar risken för elstötar.
- ▶ **Använd inte anslutningskabeln på ett felaktigt sätt, t.ex. genom att bära eller hänga upp elverktyget i den eller dra i den för att lossa elkontakten ur vägguttaget. Håll anslutningskabeln på avstånd från värmekällor, olja, vassa kanter och rörliga delar.** Skadade eller tilltrasslade anslutningskablar ökar risken för elstötar.
- ▶ **När du arbetar med ett elverktyg utomhus, använd endast förlängningskablar som är avsedda för utomhusbruk.** Genom att använda en lämplig förlängningskabel för utomhusbruk minskar du risken för elstötar.
- ▶ **Om det är alldeles nödvändigt att använda verktyget i fuktigt miljö ska du använda en jordfelsbrytare.** Användning av jordfelsbrytare minskar risken för elstötar.

Personsäkerhet

- ▶ **Var uppmärksam, ha uppsikt över vad du gör och använd elverktyget med förnuft. Använd aldrig elverktyg om du är trött eller påverkad av droger, alkohol eller medicin.** En kort sekund av bristande uppmärksamhet när du arbetar med ett elverktyg kan leda till att du skadar dig själv eller någon annan svårt.
- ▶ **Bär alltid personlig skyddsutrustning och skyddsglasögon.** Genom att använda personlig skyddsutrustning som t.ex. dammskyddsmask, halkfria säkerhetsskor, hjälm eller hörselskydd, beroende på vilket elverktyg du använder och till vad, minskar du risken för kroppsskada.
- ▶ **Undvik oavsiktlig igångsättning. Se till att elverktyget är frånkopplat innan du ansluter det till nätströmmen och/eller batteriet, tar upp det eller bär det.** Om du bär elverktyget med fingret på strömbrytaren eller ansluter ett tillkopplat verktyg till nätströmmen kan en olycka inträffa.
- ▶ **Ta bort alla inställningsverktyg och skruvnycklar innan du kopplar in elverktyget.** Ett verktyg eller en nyckel i en roterande komponent kan leda till skador.
- ▶ **Undvik en onormal kroppshållning. Se till att du står stadigt och håller balansen.** Då kan du lättare kontrollera elverktyget i oväntade situationer.
- ▶ **Bär lämpliga kläder. Bär inte löst hängande kläder eller smycken. Håll håret, kläderna och handskarna på avstånd från rörliga delar.** Löst hängande kläder, smycken och långt hår kan dras in av roterande delar.
- ▶ **När du använder elverktyg med anordningar för uppsugning och uppsamling av damm, bör du kontrollera att dessa anordningar är rätt monterade och används korrekt.** Används en dammsugare kan faror som orsakas av damm minskas.
- ▶ **Invagga dig inte i falsk säkerhet och strunta inte säkerhetsreglerna för elverktyg även om du har stor vana vid att arbeta med elverktyget.** Oförsiktig hantering kan leda till allvarliga skador inom bråkdelar av en sekund.

Användning och hantering av elverktyg

- ▶ **Överbelasta inte verktyget. Använd elverktyg som är avsedda för det aktuella arbetet.** Med ett lämpligt elverktyg kan du arbeta bättre och säkrare inom angivet effektområde.
- ▶ **Använd aldrig elverktyget om strömbrytaren är defekt.** Ett elverktyg som inte kan kopplas in eller ur är farligt och måste repareras.
- ▶ **Dra ut elkontakten ur uttaget och/eller ta i förekommande fall bort det löstagbara batteriet innan du gör inställningar, byter tillbehör eller lägger ifrån dig verktyget.** Denna skyddsåtgärd förhindrar att du eller någon annan råkar sätta igång elverktyget av misstag.
- ▶ **Förvara elverktyg oåtkomligt för barn. Verktyget får inte användas av personer som inte är vana eller inte har läst dessa anvisningar.** Elverktyg är farliga om de används av oerfarna personer.
- ▶ **Underhåll elverktygen och tillbehören noggrant. Kontrollera att rörliga komponenter fungerar felfritt och inte kärvar och att komponenter inte har brustit eller skadats så att elverktygets funktion påverkas negativt. Se till att skadade delar repareras innan verktyget används igen.** Många olyckor orsakas av dåligt skötta elverktyg.
- ▶ **Håll insatsverktygen skarpa och rena.** Omsorgsfullt skötta insatsverktyg med skarpa egg kommer inte så lätt i kläm och går lättare att styra.



- ▶ **Använd elverktyg, tillbehör, insatsverktyg osv. enligt dessa anvisningar. Ta hänsyn till arbetsvillkoren och arbetsmomenten.** Används elverktyget på icke ändamålsenligt sätt kan farliga situationer uppstå.
- ▶ **Se till att handtaget och greppytorna är torra, rena och fria från olja och fett.** Med hala handtag och gripnytor går det inte att hantera och kontrollera elverktyget säkert i oväntade situationer.

Service

- ▶ **Låt endast kvalificerad fackpersonal reparera elverktyget och använd då endast originalreservdelar.** Detta garanterar att elverktygets säkerhet upprätthålls.

2.2 Säkerhetsföreskrifter för hammare

Säkerhetsanvisningar för alla arbeten

- ▶ **Bär hörselskydd.** Buller kan leda till hörselskador.
- ▶ **Använd de extrahandtag som levereras tillsammans med verktyget.** Tappar du kontrollen över verktyget kan det leda till skador.
- ▶ **Håll i verktygets isolerade greppnytor vid arbeten där du riskerar att träffa dolda elkablar eller den egna nätkabeln.** Vid kontakt med en spänningssatt ledning kan metalldelar på verktyget spänningssättas och ge dig en stöt.

Säkerhetsanvisningar vid användning av långa borrh

- ▶ **Börja alltid att borra med lågt varvtal och med borrhspetsen i kontakt med arbetsstycket.** Om borrhett tillåts rotera utan kontakt med arbetsstycket kan det vid högre varvtal lätt komma att böjas, med åtföljande risk för personskador.
- ▶ **Använd inte för hårt tryck mot arbetsstycket och rikta trycket endast rakt i borrhets längdriktning.** Följden kan annars bli att borrhett böjs så att det går sönder, eller att du tappar kontrollen över verktyget med risk för personskador.

2.3 Extra säkerhetsföreskrifter

Personsäkerhet

- ▶ **Verktyget/instrumentet får inte ändras eller byggas om på något sätt.**
- ▶ **Se till att handtaget är torrt, rent och fritt från olja och fett.**
- ▶ **Kontrollera att sidohandtaget är korrekt monterat och ordentligt fastsatt.**
- ▶ **Gör pauser i arbetet och utför avslappnings- och fingerövningar som ökar blodgenomströmningen i fingrarna.**
- ▶ **Verktyget är inte avsett att användas av personer som saknar förmåga eller nödvändig kunskap.**
- ▶ **Använd inte verktyget när barn finns i närheten.**
- ▶ **Rör inte vid roterande delar. Koppla inte in verktyget förrän det är i arbetsområdet.** Beröring av roterande delar, särskilt roterande bits, kan leda till skador.
- ▶ **Se till att hålla el- och förlängningskabeln bakom verktyget under arbetet.** Då riskerar du inte att snubbla över kabeln när du arbetar.
- ▶ **Damm från material med blyhaltig färg, vissa träslag, betong, tegel, sten som innehåller kvarts, mineraler och metall kan vara hälsovådliga.** Beröring eller inandning av damm kan orsaka allergiska reaktioner och/eller sjukdomar i andningsvägarna hos användaren eller hos personer som befinner sig i närheten. Vissa slags damm, till exempel från ek eller bok, anses vara cancerframkallande, särskilt i kombination med tillsatsämnen för behandling av trä (kromat, träskyddsmedel). Asbesthaltigt material får bara hanteras av särskilt utbildad personal. **Använd om möjligt en dammsugare. För effektiv dammsugning bör du använda en bärbar dammsugare som är speciellt avsedd för ändamålet. Använd vid behov en andningsmask som är avsedd för damm av det aktuella slaget. Se till att det finns bra ventilation på arbetsplatsen. Följ de gällande landsspecifika föreskrifterna för de material som ska bearbetas.**
- ▶ **Stäng av verktyget och dra ut elkontakten vid strömbrott. Lossa spärren som eventuellt finns på strömbrytaren.** Detta förhindrar att instrumentet kopplas på av misstag när strömmen kommer tillbaka.
- ▶ **Vid genombrottsarbeten, tänk på att säkra området på motstående sida.** Delar kan lossna och falla ner och skada andra människor.
- ▶ **Observera också nationella förordningar om arbetsskydd.**

Elektrisk säkerhet

- ▶ **Kontrollera arbetsområdet i förväg och undersök om där finns dolda elkablar, gas- och vattenledningar, med t.ex. en metalldetektor.** Verktygets yttre metalldelar kan bli spänningsförande om du t.ex. råkar skada en nätkabel. Detta innebär en allvarlig risk för elstöt.
- ▶ **Kontrollera verktygets anslutningskabel regelbundet och låt behörig fackpersonal byta ut den om den är skadad. Om elverktygets anslutningskabel är skadad måste den bytas ut mot en för**



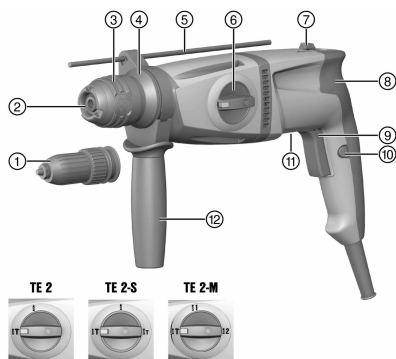
ändamålet avsedd och godkänd anslutningskabel som kan beställas via kundtjänst. Kontrollera förlängningskablarna regelbundet och byt ut dem om de är skadade. Rör inte vid nät- eller förlängningskabeln om den skadas under arbetet. Dra ut elkontakten ur uttaget. Skadade kablar och förlängningskablar utgör en risk för elstötar.

Personlig säkerhet

- **Använd skyddshandskar.** Borrhammaren kan bli het under drift. Vid verktygsbyte kan du få skärskador eller brännskador om du rör vid verktyget.

3 Beskrivning

3.1 Produktöversikt



- ① Trebackschuck (TE 2-M)
- ② Dammskydd
- ③ Chuck
- ④ Låsning av chucken (TE 2-M)
- ⑤ Djupmått
- ⑥ Funktionsväljare
- ⑦ Omkopplare för höger- och vänstervarv
- ⑧ Handtag
- ⑨ Strömbrytare
- ⑩ Låsknapp
- ⑪ Typskylt
- ⑫ Sidohandtag

3.2 Avsedd användning

Den beskrivna produkten är en eldriven borrhammare. Den är avsedd för borrarbeten i betong, tegel, gipsplattor, trä, plast och metall samt för skruvdragning.

- Använd bara maskinen ansluten till huvudnät med spänning och frekvens som stämmer överens med uppgifterna på maskinens typskylt.

3.3 Leveransinnehåll

Borrhammare, sidohandtag, djupmått, bruksanvisning.

Dessutom finns fler systemprodukter för din produkt både i närmaste **Hilti Store** och på nätet: www.hilti.group | USA: www.hilti.com

4 Teknisk information



Märkspänning, märkström, frekvens och/eller märkeffekt finns angivet på den landsspecifika typskylten på ditt verktyg.

Om verktyget drivs via en generator eller transformator måste denna ha en uteffekt som är minst dubbelt så hög som den märkeffekt som finns angiven på verktygets typskylt. Transformatorns eller generatorns driftspänning måste alltid ligga inom +5 % och -15 % av verktygets märkspänning.

	TE 2	TE 2-S	TE 2-M	
Vikt enligt EPTA-direktivet 01	2,7 kg	2,7 kg	2,9 kg	
Borrhålsdiameter i betong/tegel (hammarborr)	4 mm ... 22 mm	4 mm ... 22 mm	4 mm ... 22 mm	
Borrhålsdiameter i massivt trä	1	4 mm ... 20 mm	10 mm ... 20 mm	
	2	•/•	•/•	4 mm ... 10 mm
Borrhålsdiameter i metall (massivt trä)	1	3 mm ... 13 mm	3 mm ... 13 mm	8 mm ... 13 mm



		TE 2	TE 2-S	TE 2-M
Borrhålsdiameter i metall (massiv trä)	2	*/•	*/•	3 mm ... 8 mm
Maximal längd djupmått		180 mm	180 mm	180 mm

4.1 Bullerinformation och vibrationsvärden enligt EN 62841

De ljudtrycks- och vibrationsvärden som anges i anvisningarna har uppmätts med en standardiserad mätmetod och kan användas för att jämföra olika elverktyg med varandra. De kan också användas för att göra en preliminär uppskattning av exponeringarna.

De angivna värdena representerar elverktygets huvudsakliga användning. När elverktyget begagnas inom andra områden, med andra insatsverktyg eller med otillräckligt underhåll, kan mätning ge avvikande värden. Det innebär att exponeringen under den totala arbetstiden kan ökas betydligt.

För att uppskattningen av exponeringarna ska bli exakt bör man också räkna in de tider då elverktyget är avstängt eller då det är påslaget men inte används. Det kan betydligt minska exponeringen under den totala arbetstiden.

Vidta även andra säkerhetsåtgärder för att skydda användaren mot effekterna av buller och vibrationer, exempelvis: underhåll av elverktyg och insatsverktyg, möjlighet att hålla händerna varma, välorganiserade arbetsförlopp.

Bullerinformation

Ljudeffektnivå (L_{WA})	102,1 dB(A)
Osäkerhet ljudeffektnivå (K_{WA})	3 dB(A)
Ljudtrycksnivå (L_{pA})	91,1 dB(A)
Osäkerhet ljudtrycksnivå (K_{pA})	3 dB(A)

Vibrationsinformation

Vibrationsemissionsvärde vid borrtvättning i betong ($a_{h, HD}$)	12,1 m/s^2
Vibrationsemissionsvärde vid borrtvättning i metall ($a_{h, D}$)	2,8 m/s^2
Osäkerhet för ovanstående vibrationsvärden (K)	1,5 m/s^2

5 Användning

Montera sidohandtaget FÖRSIKTIGHET Risk för personskada! Risk för att användaren blir skadad på grund av monterat men ej använt djupmått. ► Ta bort djupmättet från verktyget.	2
FÖRSIKTIGHET Risk för personskada! Tappad kontroll över produkten. ► Kontrollera att sidohandtaget är korrekt monterat och ordentligt fastsatt. Se till att spännbandet ligger i det avsedda spåret på produkten.	
TE 2-M	3
Montera/demontera chuck Skifta insatsverktyg: SDS-chuck	4
Användning av olämpligt fett kan orsaka skador på produkten. Använd endast originalfett från Hilti.	
TE 2-M	5
Skifta insatsverktyg: Snabbchuck Ställa in djupmått	6
Tänk på att alltid ta hänsyn till maxdjupmättet.	



Borring med slag (hammarborring) 	7
TE 2-S	7
Finslag 	
TE 2 TE 2-S	7
Borring 	
TE 2-M	7
Borring första växeln eller borring andra växeln 	
Rotationsriktning	8
VARNING Risk för skador Det finns risk för skador på drivmekanismen om omkopplaren ställs om under drift. ► Vrid inte på omkopplaren för höger- och vänstervarv medan maskinen används.	

6 Skötsel och underhåll

VARNING

Risk för elstötar! Vid skötsel och underhåll finns risk för svåra person- och brännskador om elkontakten inte dras ur.

- Dra alltid ur elkontakten före skötsel- och underhållsarbete.

Skötsel

- Ta försiktigt bort smuts som fastnat på laddaren.
- Rengör ventilationsspringorna försiktigt med en torr borste.
- Rengör höljet med en lätt fuktad trasa. Använd inte rengöringsmedel med silikon, eftersom det kan skada plastdelarna.

Underhåll

VARNING

Risk för elstöt! Felaktigt utförda reparationer på elektriska delar kan leda till svåra skador och brännskador.

- Reparationer på de elektriska delarna får endast utföras av behörig fackman.
- Kontrollera regelbundet att inga synliga delar har skadats och att alla reglage fungerar som de ska.
- Använd inte produkten om den uppvisar skador eller funktionsstörningar. Skicka den direkt till **Hilti Service** för reparation.
- Efter att skötsel- och underhållsarbete utförts ska alla skyddsanordningar alltid monteras och kontrolleras.



Använd endast originalreservdelar och förbrukningsmaterial för säker drift. Godkända reservdelar, förbrukningsmaterial och tillbehör till din produkt från oss hittar du i närmaste **Hilti Store** eller på: www.hilti.group.

6.1 Byta dammskyddet

- Byt ut dammskyddet.

7 Transport och förvaring

- Transportera inte elverktyget med monterat insatsverktyg.
- Förvara alltid elverktyget med nätsladden urdragen.
- Förvara verktyget torrt och utom räckhåll för barn och obehöriga personer.
- Kontrollera alltid att elverktyget inte uppvisar några skador innan du använder det första gången efter en längre tids transport eller förvaring.



8 Felsökning

Kontakta **Hilti Service** om det uppstår ett fel som inte finns med i den här tabellen eller som du inte lyckas åtgärda på egen hand.

8.1 Felsökning

Fel	Möjlig orsak	Lösning
Verktyget startar inte.	Strömförsörjningen avbröts.	► Koppla in ett annat elverktyg och se om det fungerar.
Inget slag.	Verktyget är för kallt.	► Sätt borrhammaren på underlaget och kör den i tomgång. Upprepa detta om så krävs, tills slagmekanismen kommer igång.
	Funktionsväljaren på "borrning utan slag" .	► Sätt funktionsväljaren i läget "hammarborrning" .
Borrhammaren har inte full effekt.	Strömbrytaren är inte helt intryckt.	► Tryck på strömbrytaren tills den är helt intryckt.
	TE 2-S Funktionsväljaren i läget "finslag" .	► Sätt funktionsväljaren i läget "hammarborrning" .
	Förlängningskabeln har för liten area.	► Använd en förlängningskabel med tillräcklig area.
Det går inte att ta ut borren ur chucken.	Chucken har inte dragits tillbaka helt.	► Dra chuckhysan tillbaka till anslag och ta ut verktyget.
Borren går inte in i underlaget.	Verktyget är inställt på vänstervarv.	► Ställ om verktyget till högervarv.

9 Avfallshantering

Hilti-verktyg är till stor del tillverkade av återvinningsbara material. En förutsättning för återvinning är att materialen separeras på rätt sätt. I många länder kan du lämna in ditt uttjänta verktyg så att **Hilti** tar hand om det. Hör efter med **Hiltis** kundtjänst eller din kontaktperson.



- Kasta inte elverktyg, elektronisk apparatur och batterier i hushållssoporna.

10 RoHS (föreskrifter för begränsning av användningen av farliga ämnen)

Under följande länk hittar du tabellen med farliga ämnen: qr.hilti.com/r3682, (TE 2), qr.hilti.com/r3684 (TE 2-M) och qr.hilti.com/r3683 (TE 2-S).

En länk till RoHS-tabellen finns i slutet av den här dokumentationen som QR-kod.

11 Tillverkargaranti

- Vänd dig till din lokala **Hilti**-representant om du har frågor om garantivillkoren.



Original bruksanvisning

1 Informasjon om bruksanvisningen

1.1 Om denne bruksanvisningen

- Det er viktig at bruksanvisningen leses før produktet brukes for første gang. Dette er en forutsetning for sikkerhet under arbeidet og problemfritt bruk.
- Følg sikkerhetsanvisningene og advarslene i denne bruksanvisningen og på produktet.
- Oppbevar alltid bruksanvisningen sammen med produktet, og sørg for at bruksanvisningen alltid følger med hvis produktet overtas av andre personer.

1.2 Symbolforklaring

1.2.1 Farehenvísninger

Farehenvísninger advarer mot farer under håndtering av produktet. Følgende signalord brukes:



FARE

FARE !

- ▶ For en umiddelbart truende fare som kan føre til alvorlige personskader eller død.



ADVARSEL

ADVARSEL !

- ▶ Varsler en mulig fare som kan føre til alvorlige personskader eller død.



FORSIKTIG

FORSIKTIG !

- ▶ Varsler om en mulig farlig situasjon som kan føre til personskade eller materiell skade.

1.2.2 Symboler i bruksanvisningen

Følgende symboler benyttes i denne bruksanvisningen:

	Følg bruksanvisningen
	Bruksanvisninger og andre nyttige opplysninger
	Håndtering av resirkulerbare materialer
	Ikke kast elektriske apparater eller batterier i husholdningsavfallet

1.2.3 Symboler i illustrasjoner

Følgende symboler brukes i illustrasjonene:

	Disse tallene viser til illustrasjonen i begynnelsen av denne bruksanvisningen.
3	Nummereringen i illustrasjoner henviser til viktige arbeidstrinn eller viktige komponenter for arbeidstrinnene. I teksten i blir disse arbeidstrinnene eller komponentene markert med tilhørende numre, f.eks. (3).
	Posisjonsnumrene brukes i illustrasjonen Oversikt og henviser til numrene på teksten i avsnittet Produktoversikt .
	Dette symbolet betyr at håndtering av produktet krever stor grad av oppmerksomhet.

1.3 Produktavhengige symboler

1.3.1 Symboler på produktet

Følgende symboler brukes på produktet:



	Boring uten slag
	Boring med slag (hammerboring)
	Boring uten slag 1. gir
	Boring uten slag 2. gir
	Finslag
	Høyre-/venstregang
n_0	Nominelt tomgangsturtall
/min	Omdreininger per minutt
	Beskyttelsesklasse II (dobbelisolert)

1.4 Produktinformasjon

Hilti-produkter er laget for profesjonell bruk og må kun brukes, vedlikeholdes og repareres av kyndig personale. Dette personalet må informeres om eventuelle farer som kan oppstå. Produktet og tilleggsutstyr kan utgjøre en fare hvis det betjenes av ukvalifisert personale eller det benyttes feil.

Typebetegnelse og serienummer står på typeskiltet.

- Skriv inn serienummeret i tabellen nedenfor. Du trenger produktspesifikasjonene ved henvendelser til Hiltis representant eller servicesenter.

Produktspesifikasjoner

Borhammer	TE 2 TE 2-S TE 2-M
Generasjon	02
Serienummer	

1.5 Samsvarserklæring

Vi erklærer herved at produktet som er beskrevet her, er i samsvar med gjeldende normer og direktiver. Du finner et bilde av samsvarserklæringen på slutten av denne dokumentasjonen.

Den tekniske dokumentasjonen er lagret her:

Hilti Entwicklungsgesellschaft mbH | Zulassung Geräte | Hiltistraße 6 | 86916 Kaufering, DE

2 Sikkerhet

2.1 Generelle sikkerhetsregler for elektroverktøy

⚠ ADVARSEL Les alle sikkerhetsanvisninger, instruksjer, illustrasjoner og tekniske data som elektroverktøyet er utstyrt med. Manglende overholdelse av anvisningene nedenfor kan medføre elektrisk støt, brann og/eller alvorlige personskader.

Overhold alle sikkerhetsanvisninger og instruksjoner i hele bruksperioden.

Begrepet "elektroverktøy" som er brukt i sikkerhetsanvisningene, viser til nettdrevne elektroverktøy (med nettkabel) eller til batteridrevne elektroverktøy (uten nettkabel).

Sikkerhet på arbeidsplassen

- **Hold arbeidsområdet rent og godt opplyst.** Rotete eller dårlig belyste arbeidsområder kan føre til ulykker.
- **Bruk ikke elektroverktøyet i eksplosjonsfarlige omgivelser hvor det befinner seg brennbare flytende stoffer, gasser eller støv.** Elektroverktøy lager gnister som kan antenne støv eller damp.
- **Hold barn og andre personer på sikker avstand mens elektroverktøyet brukes.** Hvis du blir forstyrret under arbeidet, kan du miste kontrollen over verktøyet.

Elektrisk sikkerhet

- **Elektroverktøyets støpsel må passe i stikkontakten. Støpselet må ikke forandres på noen som helst måte. Bruk ikke adapterkontakt på jordete elektroverktøy.** Uendrede støpsler og egnede stikkontakter minsker risikoen for elektrisk støt.



- ▶ **Unngå kroppskontakt med jordete overflater som rør, radiatorer, komfyrer eller kjøleskap.** Risikoen for elektriske støt er høyere når kroppen er jordet.
- ▶ **Hold elektroverktøyet unna regn og fuktighet.** Risikoen for elektrisk støt øker ved inntrenging av vann i et elektroverktøy.
- ▶ **Bruk ikke ledningen til å bære elektroverktøyet, henge det opp eller til å dra støpselet ut av stikkkontakten.** Hold ledningen unna varme, olje, skarpe kanter og deler som beveger seg. Skadde eller sammenviklede ledninger øker risikoen for elektriske støt.
- ▶ **Bruk kun skjøteledninger som også er godkjent for utendørs bruk når du arbeider med et elektroverktøy utendørs.** Bruk av skjøteledning som er egnet til utendørs bruk, minsker risikoen for elektrisk støt.
- ▶ **Må elektroverktøyet brukes i fuktige omgivelser, er det nødvendig å bruke en jordfeilbryter.** Bruk av en jordfeilbryter reduserer risikoen for elektrisk støt.

Personsikkerhet

- ▶ **Vær oppmerksom, pass på hva du gjør, og gå fornuftig fram under arbeidet med et elektroverktøy. Ikke bruk elektroverktøy når du er trøtt eller påvirket narkotika, alkohol eller medikamenter.** Et øyeblikks uoppmerksomhet ved bruk av elektroverktøyet kan være nok til å forårsake alvorlige personskader.
- ▶ **Bruk alltid personlig verneutstyr og vernebriller.** Bruk av personlig verneutstyr som støvmaske, sklisikre vernesko, hjelm eller hørselsvern – avhengig av type og bruk av elektroverktøyet – reduserer risikoen for skader.
- ▶ **Unngå utilsiktet start. Forsikre deg om at elektroverktøyet er slått av før du setter i stikkkontakten eller batteriet og før du løfter eller flytter elektroverktøyet.** Hvis du holder fingeren på bryteren når du bærer elektroverktøyet, eller kobler elektroverktøyet til strøm i innkoblet tilstand, kan dette føre til uhell.
- ▶ **Fjern justeringsverktøy og skrunøkkel før du slår på elektroverktøyet.** Et verktøy eller en nøkkel som befinner seg i en roterende maskindel, kan føre til skader.
- ▶ **Unngå uhensiktsmessige arbeidsposisjoner. Sørg for å stå stødig og i balanse.** Dermed kan du kontrollere elektroverktøyet bedre i uventede situasjoner.
- ▶ **Bruk egnede klær. Ikke bruk vide klær eller smykker. Hold hår, tøy og hansker unna deler som beveger seg.** Løstsittende tøy, smykker eller langt hår kan komme inn i deler som beveger seg.
- ▶ **Hvis det er montert støvavsugs- og oppsamlingsinnretninger, må det kontrolleres at disse er koblet til og blir brukt på riktig måte.** Bruk av støvavsug kan redusere faremomentene i forbindelse med støv.
- ▶ **Ikke føl deg for trygg og ikke bryt sikkerhetsreglene for elektroverktøy, heller ikke når du etter lang tids bruk er blitt fortrolig med elektroverktøyet.** Et øyeblikks uaktsomhet kan føre til alvorlige personskader.

Bruk og behandling av elektroverktøyet

- ▶ **Ikke overbelast verktøyet. Bruk et elektroverktøy som er beregnet til den type arbeid du vil utføre.** Med et passende elektroverktøy arbeider du bedre og sikrere i det angitte effektområdet.
- ▶ **Ikke bruk elektroverktøy med defekt bryter.** Et elektroverktøy som ikke lenger kan slås av eller på, er farlig og må repareres.
- ▶ **Dra ut støpselet fra stikkkontakten og/eller ta ut et uttakbart batteri før du foretar maskinnstillinger, bytter tilleggsutstyr eller legger bort verktøyet.** Disse tiltakene forhindrer utilsiktet start av elektroverktøyet.
- ▶ **Oppbevar elektroverktøy som ikke brukes, utenfor barns rekkevidde. La ikke personer som ikke er fortrolige med verktøyet eller ikke har lest disse instruksjonene, bruke verktøyet.** Elektroverktøy er farlige når de brukes av uerfarne personer.
- ▶ **Sørg for grundig stell og vedlikehold av elektroverktøyet med tilbehør. Kontroller at bevegelige deler på elektroverktøyet fungerer feilfritt og ikke klemmes fast, og at ingen deler er brukt eller skadet, slik at dette innvirker på elektroverktøyet funksjon. La skadde deler repareres før elektroverktøyet brukes.** Mange ulykker er et resultat av dårlig vedlikeholdte elektroverktøy.
- ▶ **Hold skjæreverktøy skarpe og rene.** Godt vedlikeholdte skjæreverktøy med skarpe skjærekanten blir sjeldnere fastklemt og er lettere å styre.
- ▶ **Bruk elektroverktøy, tilbehør, arbeidsverktøy osv. i overensstemmelse med denne anvisningen. Ta hensyn til arbeidsforholdene og arbeidet som skal utføres.** Bruk av elektroverktøy til andre formål enn det som er angitt, kan føre til farlige situasjoner.
- ▶ **Hold håndtak og gripeflater tørre, rene og frie for olje og fett.** Glatte håndtak og gripeflater gir ikke sikker betjening og kontroll av elektroverktøyet i uforutsette situasjoner.

Service

- ▶ **Elektroverktøyet må kun repareres av kvalifisert fagpersonale og kun med originale reservedeler.** Slik opprettholdes elektroverktøyet sikkerhet.



2.2 Sikkerhetsanvisninger for borhammere

Sikkerhetsanvisninger for alt arbeid

- ▶ **Bruk hørselsvern.** Påvirkning av støy kan føre til hørselstap.
- ▶ **Bruk håndtakene som leveres med maskinen.** Tap av kontroll kan føre til skader.
- ▶ **Hold maskinen i de isolerte håndtaksflatene når du utfører arbeid der verktøybits kan komme i kontakt med skjulte strømledninger.** Kontakt med en spenningsførende ledning kan også sette maskinens metalldele under spenning og føre til elektrisk støt.

Sikkerhetsanvisninger ved bruk av lange bor

- ▶ **Begynn alltid å bore med lavt turtall og mens boret er i kontakt med arbeidsemnet.** Ved høyere turtall kan boret lett bøyes når det kan rotere fritt uten kontakt med arbeidsemnet, og dette kan føre til personskafer.
- ▶ **Ikke trykk for hardt på boret, og trykk bare i lengderetningen i forhold til boret.** Bor kan bøyes og dermed brette eller føre til tap av kontroll og personskafer.

2.3 Ekstra sikkerhetsanvisninger

Personsikkerhet

- ▶ **Manipulering eller modifisering av maskinen er ikke tillatt.**
- ▶ **Hold håndtakene tørre, rene og fri for olje og fett.**
- ▶ **Kontroller at sidehåndtaket er riktig montert og forskriftsmessig festet.**
- ▶ **Ta pauser fra arbeidet og foreta avspennings- og fingerøvelser for å øke blodgjennomstrømmingen i fingrene.**
- ▶ **Maskinen er ikke beregnet for svake personer uten opplæring.**
- ▶ **Sørg for at maskinen ikke er tilgjengelig for barn.**
- ▶ **Unngå å berøre de roterende delene. Koble først til maskinen på arbeidsområdet.** Berøring av de roterende delene, spesielt roterende verktøy, kan føre til skader.
- ▶ **Hold alltid ledningene bakover når du arbeider.** Dette reduserer faren for å snuble over ledningen mens du arbeider.
- ▶ **Støv fra materialer som blyholdig maling, enkelte tresorter, betong/mur/stein som inneholder kvarts, mineraler og metaller kan være helseskadelig.** Berøring eller innånding av slike typer støv kan fremkalle allergiske reaksjoner og/eller luftveissykdommer hos brukeren og andre personer som oppholder seg i nærheten. Bestemte typer støv som eikestøv eller bøkestøv regnes som kreftfremkallende, særlig i forbindelse med stoffer for trebehandling (kromat, trepleiemidler). Asbestholdige materialer skal kun håndteres av kvalifisert personell. **Bruk støvavsug der det er mulig. For å oppnå best mulig støvavsug må du bruke en egnet mobil støvsuger. Bruk eventuelt åndedrettsvern tilpasset den aktuelle typen støv. Sørg for at arbeidsplassen er godt luftet. Ta hensyn til gjeldende lokale forskrifter for materialene som skal bearbeides.**
- ▶ **Ved strøbrudd må du slå av maskinen og trekke ut kontakten, eller eventuelt løse låsen på kontrollbryteren.** Dette hindrer utilsiktet start av maskinen når strømmen kommer tilbake.
- ▶ **Ved gjennombruddsarbeider må området på den andre siden sikres.** Deler som brytes ut, kan falle ut og/eller ned og skade andre personer.
- ▶ **Overhold også nasjonale sikkerhetsbestemmelser.**

Elektrisk sikkerhet

- ▶ **Kontroller arbeidsområdet for skjulte elektriske ledninger, gass- og vannrør før du starter arbeidet, f.eks. ved hjelp av en metalldetektor.** Eksterne metalldele på maskinen kan bli strømførende ved at f. eks. en strømførende kabel utilsiktet blir skadet. Dette innebærer en alvorlig fare for elektrisk støt.
- ▶ **Kontroller apparatets tilførselsledning regelmessig, og sørg for at den blir skiftet av fagfolk hvis den blir skadd. Hvis elektroverktøyet ledning er skadd, må den skiftes ut med en godkjent, spesielt utformet ledning som kan skaffes via kundeservice. Kontroller skjøteledninger regelmessig, og skift dem ut hvis de blir skadde. Ikke ta på ledningen eller skjøteledningen hvis den skades under arbeid. Koble fra ledningen.** Skader på ledninger og skjøteledninger innebærer fare for elektrisk støt.

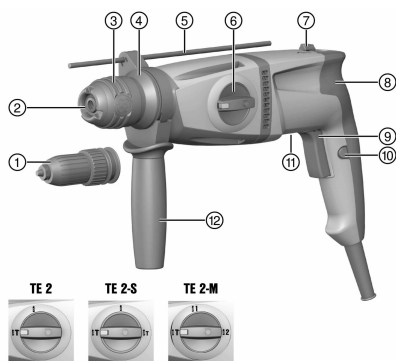
Personlig sikkerhet

- ▶ **Bruk vernehansker.** Borhammeren kan bli varm under bruk. Ved verktøyskift kan berøring av verktøyet forårsake kuttskader og forbrenninger.



3 Beskrivelse

3.1 Produktoversikt



- ① Trekjvet chuck (TE 2-M)
- ② Støvkappe
- ③ Chuck
- ④ Chucklås (TE 2-M)
- ⑤ Dybdeanlegg
- ⑥ Funksjonsvelger
- ⑦ Bryter for høyre-/venstregang
- ⑧ Håndtak
- ⑨ Kontrollbryter
- ⑩ Låseknapp
- ⑪ Typeskilt
- ⑫ Sidehåndtak

3.2 Forskriftsmessig bruk

Det beskrevne produktet er en elektrisk drevet borhammer. Den er beregnet for boring i betong, mur, gipsplater, tre, plast og metall, og til innskruing og løsning av skruer.

- ▶ Bruk maskinen kun når den er knyttet til hovedledning med en spenning og frekvens som er i overensstemmelse med informasjonen på typeskiltet.

3.3 Dette følger med:

borhammer, sidehåndtak, dybdeanlegg, bruksanvisning.

I tillegg finner du tillatte systemprodukter til produktet hos nærmeste **Hilti Store** eller på nettet under: www.hilti.group | USA: www.hilti.com

4 Tekniske data



Merkespenning, merkestrøm, frekvens og/eller nominell inngangseffekt står på typeskiltet for ditt land.

Ved drift med generator eller transformator må generatorens eller transformatorens utgangseffekt være minst dobbelt så stor som den nominelle inngangseffekten som er oppgitt på maskinens typeskilt. Driftsspenningen for transformatoren eller generatoren må alltid ligge innenfor +5 % og -15 % av merkespenningen for maskinen.

	TE 2	TE 2-S	TE 2-M
Vekt i henhold til EPTA-prosedyre 01	2,7 kg	2,7 kg	2,9 kg
Boreområde i betong/mur (hammerbor)	4 mm ... 22 mm	4 mm ... 22 mm	4 mm ... 22 mm
Boreområde i tre (massivt bor)	1	4 mm ... 20 mm	10 mm ... 20 mm
	2	•/•	•/•
Boreområde i metall (trebor)	1	3 mm ... 13 mm	8 mm ... 13 mm
	2	•/•	•/•
Maksimal lengde dybdeanlegg	180 mm	180 mm	180 mm

4.1 Støyinformasjon og vibrasjonsverdier iht. EN 62841

Lydtrykk- og vibrasjonsverdiene som er angitt i denne bruksanvisningen, er målt i samsvar med en normert målemetode og kan brukes til sammenligning av elektroverktøy. De egner seg også til en foreløpig vurdering av eksponeringene.



De angitte dataene representerer de viktigste bruksområdene for elektroverktøyet. Men hvis elektroverktøyet brukes til andre formål, med avvikende innsatsverktøy eller med utilstrekkelig vedlikehold, kan dataene avvike. Dette kan øke eksponeringene betraktelig gjennom hele arbeidsperioden.

For å få en nøyaktig vurdering av eksponeringene må man også ta hensyn til tidsrommene da elektroverktøyet er slått av eller er i gang, men ikke i bruk. Dette kan redusere eksponeringene betraktelig gjennom hele arbeidsperioden.

Fastsett ekstra sikkerhetstiltak for å beskytte operatøren mot effekten av støy og/eller vibrasjoner, for eksempel: Vedlikehold av elektroverktøy og innsatsverktøy, holde hendene varme, organisering av arbeidsprosesser.

Støyinformasjon

Lydeffektnivå (L_{WA})	102,1 dB(A)
Usikkerhet lydeffektnivå (K_{WA})	3 dB(A)
Avgitt lydtryknivå (L_{pA})	91,1 dB(A)
Usikkerhet lydtryknivå (K_{pA})	3 dB(A)

Vibrasjonsinformasjon

Vibrasjonsutslippsverdi ved hammerboring i betong ($a_{h, HD}$)	12,1 m/s ²
Avgitt vibrasjonsverdi boring i metall ($a_{h, D}$)	2,8 m/s ²
Usikkerhet for de nevnte vibrasjonsverdiene (K)	1,5 m/s ²

5 Betjening

Montere sidehåndtak FORSIKTIG Fare for personskader! Fare for hindring av brukeren på grunn av montert, men ikke brukt dybdeanlegg. ▶ Fjern dybdeanlegget fra maskinen.	2
FORSIKTIG Fare for personskader! Tap av kontroll over produktet. ▶ Kontroller at sidehåndtaket er riktig montert og forskriftsmessig festet. Kontroller at klemmen ligger i sporet som er beregnet for dette på produktet.	
TE 2-M	3
Montere/demontere chuck Sette i/ta ut verktøy: SDS-chuck	4
Bruk av uegnet fett kan føre til skade på produktet. Bruk bare originalfett fra Hilti.	
TE 2-M	5
Sette i/ta ut verktøy: Hurtigchuck Stille inn dybdeanlegg	6
Ikke overskrid den maksimale lengden for dybdeanlegget.	
Boring med slag (hammerboring) 	7
TE 2-S	7
Finslag 	
TE 2 TE 2-S	7
Boring 	
TE 2-M	7
Boring i første gir 1 eller boring i andre gir 2	



Høyre-/ venstregang

OBS

Fare for materiell skade Aktivering under drift kan føre til skade på giraksen.
 ▶ Bryteren for høyre-/venstregang må ikke betjenes under drift.

6 Service og vedlikehold

ADVARSEL

Fare for elektrisk støt! Stell og vedlikehold med isatt nettstøpsel kan føre til alvorlige personskader og forbrenninger.

- ▶ Før alt stell og vedlikeholdsarbeid må nettstøpslet trekkes ut!

Pleie

- Fjern gjenstridig smuss forsiktig.
- Bruk en tørr børste for å rengjøre ventilasjonsåpningene forsiktig.
- Rengjør huset bare med en lett fuktet klut. Ikke bruk silikonholdige pleiemiddel, da dette kan angripe plastdelene.

Vedlikehold

ADVARSEL

Fare for elektrisk støt! Ufagmessige reparasjoner på elektriske komponenter kan føre til alvorlig personskade og forbrenninger.

- ▶ Elektriske deler på maskinen må kun repareres av fagfolk.
- Kontroller alle synlige deler regelmessig mht. skade og alle betjeningselementene mht. feilfri funksjon.
- Ved skader og/eller funksjonsfeil må produktet ikke brukes. Få maskinen reparert av **Hilti** service snarest mulig.
- Etter stell- og vedlikeholdsarbeid må alle beskyttelsesinnretninger monteres, og det må foretas funksjonskontroll av dem.



Av hensyn til sikkerheten må du bare bruke originale reservedeler og forbruksmaterialer. Reservedeler, forbruksmaterialer og tilbehør til produktet, som er godkjent av oss, finner du hos **Hilti Store** eller under: www.hilti.group.

6.1 Skifte ut støvbeskyttelseskappen

- ▶ Skift ut støvbeskyttelseskappen.

7 Transport og lagring

- Elektroverktøyet må ikke transporteres med isatt verktøy.
- Oppbevar alltid elektroverktøy med uttrukket nettstøpsel.
- Oppbevar maskinen tørt og utenfor barns og uvedkommendes rekkevidde.
- Etter lang transport eller lengre tids oppbevaring må elektroverktøyet kontrolleres mht. skade før bruk.

8 Feilsøking

Ved feil som ikke står i denne tabellen eller som du selv ikke kan rette opp, må du kontakte **Hilti Service**.

8.1 Feilsøking

Feil	Mulig årsak	Løsning
Maskinen starter ikke.	Strømforsyning brutt.	▶ Sett på et annet elektroverktøy og kontroller funksjonen.
Slageeffekt uteblir.	Maskinen er for kald.	▶ Sett borhammeren på underlaget og la den gå på tomgang. Gjenta hvis nødvendig til slagverket arbeider.



Feil	Mulig årsak	Løsning
Slageffekt uteblir.	Funksjonsvelger på "Boring uten slag".	► Sett funksjonsvelgeren i stillingen "Hammerboring"
Borhammeren yter ikke maksimalt.	Kontrollbryteren er ikke trykket helt inn.	► Trykk kontrollbryteren helt inn.
	TE 2-S	► Sett funksjonsvelgeren i stillingen "Hammerboring"
	Funksjonsvelgeren på "Finslag"	► Bruk en skjøteledning med riktig dimensjonert tverrsnitt.
Boret løsner ikke fra chucken.	Chucken er ikke trukket helt tilbake.	► Trekk verktøylåsen tilbake til anslag og ta ut verktøyet.
Boret trenger ikke inn i materialet.	Maskinen er koblet om til venstre-gang.	► Still maskinen på høyregang.

9 Avhending

Hilti maskiner er i stor grad laget av resirkulerbart materiale. En forskriftsmessig materialsortering er en forutsetning for resirkulering. I mange land tar **Hilti** din gamle maskin i retur. Spør **Hilti** kundeservice eller forhandleren din.



- Kast aldri elektroverktøy, elektronisk utstyr eller batterier i husholdningsavfallet!

10 RoHS (direktiv for begrensning av bruk av farlige stoffer)

Under følgende lenke finner du tabellen over farlige stoffer: qr.hilti.com/r3682, (TE 2), qr.hilti.com/r3684 (TE 2-M) og qr.hilti.com/r3683 (TE 2-S).

Du finner en lenke til RoHS-tabellen helt til slutt i denne dokumentasjonen som QR-kode.

11 Produsentgaranti

- Når det gjelder spørsmål om garantibetingelser, ber vi deg kontakte din lokale **Hilti**-partner.

Alkuperäiset ohjeet

1 Tämän käyttöohjeen tiedot

1.1 Tästä käyttöohjeesta

- Lue ehdottomasti tämä käyttöohje ennen tuotteen käyttämistä. Se on turvallisen työnteon ja tuotteen ongelmattoman käsittelyn perusedellytys.
- Noudata tässä käyttöohjeessa annettuja ja tuotteessa olevia turvallisuus- ja varoitushuomautuksia.
- Säilytä käyttöohje aina tuotteen yhteydessä, ja anna tuote toiselle henkilölle aina käyttöohjeen kanssa.

1.2 Merkkien selitykset

1.2.1 Varoitushuomautukset

Varoitushuomautukset varoittavat tuotteen käyttöön liittyvistä vaaroista. Seuraavia varoitustekstejä käytetään:



VAKAVA VAARA

VAKAVA VAARA !

- Varoitaa uhkaavasta vaaratilanteesta, josta voi seurauksena olla vakava loukkaantuminen tai jopa kuolema.



VAARA

VAARA !

- ▶ Varoittaa mahdollisesta vaarasta, josta voi seurauksena olla vakava loukkaantuminen tai kuolema.

VAROITUS

HUOMIO !

- ▶ Varoittaa mahdollisesta vaaratilanteesta, josta voi seurata loukkaantuminen tai aineellinen vahinko.

1.2.2 Symbolit käyttöohjeessa

Tässä käyttöohjeessa käytetään seuraavia symboleita:

	Noudata käyttöohjetta
	Toimintaohjeita ja muuta hyödyllistä tietoa
	Kierrätyskelpoisten materiaalien käsittely
	Älä hävitä sähkölaitteita ja akkuja tavallisen sekajätteen mukana

1.2.3 Symbolit kuvissa

Kuvissa käytetään seuraavia symboleita:

	Nämä numerot viittaavat vastaavaan kuvaan tämän käyttöohjeen alussa.
	Numerointi kuvissa viittaa tärkeisiin työvaiheisiin tai työvaiheiden kannalta tärkeisiin rakennosiin. Nämä vastaavasti numeroidut työvaiheet tai rakenneosat korostetaan tekstissä, esimerkiksi (3) .
	Kohtanumeroita käytetään kuvassa Yleiskuva , ja ne viittaavat kuvatekstien numerointiin kappaleessa Tuoteyhteenvedo .
	Tämän merkin tarkoitus on kiinnittää erityinen huomiosi tuotteen käyttöön ja käsittelyyn.

1.3 Tuotekohtaiset symbolit

1.3.1 Symbolit tuotteessa

Tuotteessa käytetään seuraavia symboleita:

	Poraus ilman iskua
	Poraaminen iskulla (iskuporaus)
	Poraus ilman iskua 1. vaihde
	Poraus ilman iskua 2. vaihde
	Hienoisku
	Suunnanvaihtokytkin vasemmalle/oikealle
n_0	Nimellisjoutokäyntikierto/sluku
/min	Kierrosta minuutissa
	Suojausluokka II (kaksinkertainen eristys)

1.4 Tuotetiedot

Hilti-tuotteet on tarkoitettu ammattikäyttöön, ja niitä saa käyttää, huoltaa tai korjata vain valtuutettu, koulutettu henkilö. Käyttäjän pitää olla hyvin perillä käyttöön liittyvistä vaaroista. Tuote ja sen varusteet



saattavat aiheuttaa vaaratilanteita, jos kokemattomat henkilöt käyttävät tuotetta ohjeiden vastaisesti tai muutoin asiattomasti.

Tyypimerkinnän ja sarjanumeron löydät tyyppikilvestä.

- Kirjoita sarjanumero oikeeseen taulukkoon. Tuotteen tiedot tarvitaan, jos esität kysymyksiä myynti- tai huoltoedustajallemme.

Tuotetiedot

Poravasara	TE 2 TE 2-S TE 2-M
Sukupuoli	02
Sarjanumero	

1.5 Vaatimustenmukaisuusvakuutus

Vakuutamme, että tässä kuvattu tuote täyttää voimassa olevien direktiivien ja standardien vaatimukset. Kuva vaatimustenmukaisuusvakuutuksesta on tämän dokumentaation lopussa.

Tekninen dokumentaatio löytyy tästä:

Hilti Entwicklungsgesellschaft mbH | Zulassung Geräte | Hiltistraße 6 | 86916 Kaufering, DE

2 Turvallisuus

2.1 Sähkötyökaluja koskevat yleiset turvallisuusohjeet

⚠ VAKAVA VAARA Lue kaikki turvallisuus- ja käyttöohjeet, selostukset ja tekniset tiedot, jotka liittyvät tähän sähkötyökaluun. Seuraavien ohjeiden noudattamatta jättäminen saattaa johtaa sähköiskuun, tulipaloon ja/tai vakavaan loukkaantumiseen.

Säilytä kaikki turvallisuus- ja käyttöohjeet huolellisesti vastaisen varalle.

Turvallisuusohjeissa käytetty käsite ”sähkötyökalu” tarkoittaa verkkokäyttöisiä sähkötyökaluja (joissa verkkojohto) ja akkukäyttöisiä sähkötyökaluja (joissa ei verkkojohtoa).

Työpaikan turvallisuus

- **Pidä työskentelyalue siistinä ja hyvin valaistuna.** Työpaikan epäjärjestys ja valaisemattomat työalueet voivat johtaa tapaturmiin.
- **Älä käytä sähkötyökalua räjähdysalttiissa ympäristössä, jossa on syttyvää nestettä, kaasua tai pölyä.** Sähkötyökalut synnyttävät kipinöitä, jotka saattavat sytyttää pölyn tai höyryt.
- **Pidä lapset ja sivulliset loitolla sähkötyökalua käyttäessäsi.** Voit menettää koneen hallinnan huomiosi suuntautuessa muualle.

Sähköturvallisuus

- **Sähkötyökalun pistokkeen pitää sopia pistorasiaan. Pistoketta ei saa muuttaa millään tavalla.** Älä käytä pistorasia-adaptoreita suojamaadotettujen sähkötyökalujen yhteydessä. Alkuperäisessä kunnossa olevat pistokkeet ja sopivat pistorasiat vähentävät sähköiskun vaaraa.
- **Vältä koskettamista sähköä johtaviin pintoihin kuten putkiin, pattereihin, liesiin ja jääkaappeihin.** Sähköiskun vaara kasvaa, jos kehosi maadottuu.
- **Älä aseta sähkötyökalua alttiiksi sateelle tai kosteudelle.** Veden tunkeutuminen sähkötyökalun sisään lisää sähköiskun vaaraa.
- **Älä kannata tai ripusta sähkötyökalua verkkojohdostaan äläkä vedä pistoketta irti pistorasiasta johdosta vetämällä.** Pidä johto loitolla kuumuudesta, öljystä, terävistä reunoista ja liikkuvista osista. Vahingoittuneet tai toisiinsa kietoutuneet johdot lisäävät sähköiskun vaaraa.
- **Kun käytät sähkötyökalua ulkona, käytä ainoastaan ulkokäyttöön soveltuvia jatkojohtoja.** Ulkokäyttöön soveltuvan jatkojohdon käyttö pienentää sähköiskun vaaraa.
- **Jos sähkötyökalua on välttämätöntä käyttää kosteassa ympäristössä, käytä vikavirtasuojakytäkintä.** Vikavirtasuojakytäkimen käyttö pienentää sähköiskun vaaraa.

Henkilöturvallisuus

- **Ole valpas, kiinnitä huomiota työskentelyysi ja noudata tervettä järkeä sähkötyökalua käyttäessäsi.** Älä käytä sähkötyökalua, jos olet väsynyt tai huumeiden, alkoholin tai lääkkeiden vaikutuksen alaisena. Sähkötyökalua käytettäessä hetkellinenkin varomattomuus saattaa aiheuttaa vakavia vammoja.
- **Käytä henkilökohtaisia suojavarusteita ja aina suojalaseja.** Henkilökohtaiset suojavarusteet, kuten hengityssuojain, luistamattomat turvajalkineet, kypärä ja kuulosuojaimet, pienentävät oikein käytettyinä loukkaantumiseriskä sähkötyökalun käyttötilanteesta riippuen.
- **Varo tahatonta käynnistämistä.** Varmista, että sähkötyökalu on kytketty pois päältä, ennen kuin liität sen verkkovirtaan ja/tai liität siihen akun, otat sen käteesi tai kannat sitä. Jos



kannat sähkötyökälyä sormi käyttökytkimellä tai liität pistokkeen pistorasiaan käyttökytkimen ollessa käyntiasennossa, altistat itsesi onnettomuuksille.

- ▶ **Poista kaikki säätötyökäly ja ruuvitalat, ennen kuin käynnistät sähkötyökälyä.** Työkäly tai avain, joka sijaitsee koneen pyörivässä osassa, saattaa johtaa loukkaantumiseen.
- ▶ **Vältä vaikeita työskentelyasentoja. Varmista aina tukeva seisoma-asento ja tasapaino.** Siten voit paremmin hallita sähkötyökälyä odottamattomissa tilanteissa.
- ▶ **Käytä työohsi soveltuvia vaatteita. Älä käytä löysiä työvaatteita tai koruja. Pidä hiukset, vaatteet ja käsiheet loitolla liikkuvista osista.** Väljät vaatteet, korut ja pitkät hiukset voivat takertua liikkuviin osiin.
- ▶ **Jos pölynpöisto- ja keräilylaitteita voidaan asentaa, sinun on tarkastettava, että ne on liitetty oikein ja että niitä käytetään oikealla tavalla.** Pölynpöistovarustuksen käyttö vähentää pölyn aiheuttamia vaaroja.
- ▶ **Älä tuudittaudu virheelliseen turvallisuuden tunteeseen äläkä laiminlyö sähkötyökälyä koskevia turvallisuusohjeita silloinkaan, kun mielestäsi jo olet kokenut sähkötyökälyä käyttäjä.** Harkitsema-ton ja huolimaton toiminta voi sekunnin murto-osissa johtaa vakaviin loukkaantumisiin.

Sähkötyökälyä käyttö ja käsittely

- ▶ **Älä ylikuormita konetta.** Käytä kyseiseen työhön tarkoitettua sähkötyökälyä. Sopivaa sähkötyökälyä käyttäen työskentelet paremmin ja varmemmin tehoalueella, jolle sähkötyökäly on tarkoitettu.
- ▶ **Älä käytä sähkötyökälyä, jonka käyttökytkin ei toimi.** Sähkötyökäly, jota ei enää voida käynnistää ja pysäyttää käyttökytkimellä, on vaarallinen ja se täytyy korjata.
- ▶ **Irrota pistoke pistorasiasta ja/tai irrota akku ennen kuin muutat säätöjä, vaihdat terää tai lisävarusteita ja kun lopetat koneen käyttämisen.** Tämä turvatoimenpide estää sähkötyökälyä tahattoman käynnistysriskin.
- ▶ **Säilytä sähkötyökälyt poissa lasten ulottuvilta, kun niitä ei käytetä.** Älä anna toisten henkilöiden käyttää konetta, elleivät he ole perehtyneet sen käyttöön ja lukeneet käyttöohjeita. Sähkötyökälyt ovat vaarallisia, jos niitä käyttävät kokemattomat henkilöt.
- ▶ **Hoida sähkötyökälyä ja niiden varusteita huolella.** Tarkasta, että liikkuvat osat toimivat moitteettomasti eivätkä ole puristuksissa, ja tarkasta myös, ettei sähkötyökälyssä ole murtuneita tai vaurioituneita osia, jotka saattaisivat haitata sen toimintaa. Korjauta vaurioituneet osat ennen koneen käyttämistä. Usein loukkaantumisten ja tapaturmien syynä on sähkötyökälyä laiminlyöty huolto.
- ▶ **Pidä terät terävinä ja puhtaina.** Huolella hoidetut terät, joiden leikkausreunat ovat teräviä, eivät jumitu herkästi, ja niillä työnteko on kevyempää.
- ▶ **Käytä sähkötyökälyä, lisävarusteita ja tarvikkeita, teriä jne. niiden käyttöohjeiden mukaisesti. Ota tällöin työolosuhteet ja suoritettava työtehtävä huomioon.** Sähkötyökälyä käyttö muuhun kuin sille tarkoitettuun käyttöön saattaa johtaa vaarallisiin tilanteisiin.
- ▶ **Pidä käsikahvat ja tartuntapinnat kuivina, puhtaina, öljyttöminä ja rasvattomina.** Jos käsikahvat tai tartuntapinnat ovat liukkaat, sähkötyökälyä turvallinen käyttö ja hallinta voi yllättävissä tilanteissa olla mahdotonta.

Huolto

- ▶ **Anna koulutettujen ammattihenkilöiden korjata sähkötyökälyä ja hyväksy korjauksiin vain alkupe-räisiä varaosia.** Siten varmistat, että sähkötyökäly säilyy turvallisenä.

2.2 Poravasaroita koskevat turvallisuusohjeet

Turvallisuusohjeet kaikkiin töihin

- ▶ **Käytä kuulosuojaimia.** Melu saattaa heikentää kuuloasi.
- ▶ **Käytä koneen mukana toimitettuja lisäkäsikahvoja.** Koneen hallinnan menettäminen saattaa aiheuttaa loukkaantumisia.
- ▶ **Pidä koneesta kiinni vain sen eristetyistä kahvapinnoista, jos teet työtä, jossa sähkötyökälyä terä saattaa osua rakenteen sisällä olevaan virtajohtoon tai koneen verkkojohtoon.** Jos terä osuu virtajohtoon, koneen metalliosiin saattaa johtua virta, jolloin saatat saada sähköiskun.

Turvallisuusohjeet jos käytät pitkiä poranteriä

- ▶ **Aloita poraaminen aina pienellä kierrosluvulla ja siten, että poranterä koskettaa työkappaletta.** Suuremmilla kierrosluvuilla poranterä saattaa herkästi taipua, jos se pyöri vapaasti ilman että se koskettaa työkappaletta, ja seurauksena voi olla loukkaantumisia.
- ▶ **Älä paina konetta tarpeettoman kovalla voimalla ja paina aina vain poranterän pituusuntaan.** Poranterät voivat taipua ja siten murtua, tai seurauksena voi olla hallinnan menettäminen ja loukkaantu-misia.



2.3 Muut turvallisuusohjeet

Henkilöturvallisuus

- ▶ **Koneeseen ei saa tehdä minkäänlaisia muutoksia.**
- ▶ **Pidä käsikahvat kuivina, puhtaina, öljyttöminä ja rasvattomina.**
- ▶ **Varmista, että sivukahva on asennettu oikein ja kunnolla kiinni.**
- ▶ **Pidä työssäsi rentouttavia taukoja, joiden aikana tee sormivoimisteluliikkeitä varmistaaksesi sormiesi hyvän verenkierron.**
- ▶ **Konetta ei ole tarkoitettu voimiltaan heikkojen henkilöiden käyttöön ilman opastusta ja apua.**
- ▶ **Älä jätä konetta lasten ulottuville.**
- ▶ **Vältä pyörivien osien koskettamista. Kytke kone päälle vasta, kun olet juuri aloittamassa työn.** Pyörivien osien koskettaminen, etenkin pyörivien työkaluterien, saattaa aiheuttaa loukkaantumisia.
- ▶ **Ohjaa verkkojohto ja jatkojohto aina koneesta pois taaksepäin.** Siten vältät vaaran kompastua johtoihin työnteon aikana.
- ▶ Tiettyjen materiaalien kuten lyijypitoisen maalin, joidenkin puulajien, kvartsia sisältävän betonin / muurauksen / kivityksen ja mineraalien sekä metallien pölyt voivat olla terveydelle vaarallisia. Pölyjen ihokosketus tai hengittäminen saattaa aiheuttaa allergisia reaktioita ja/tai hengitystiesairauksia koneen käyttäjälle tai lähellä oleville henkilöille. Tietty pölyt kuten tammen tai pyökin pöly on luokiteltu syöpää aiheuttaviksi, erityisesti jos niihin liittyy puunkäsittelyn lisäaineita (kromaatti, puunsuoja-aineet). Asbestia sisältäviä materiaaleja saavat työstää vain erikoiskoulutetut henkilöt. **Käytä mahdollisuuksien mukaan pölynpoistovarustusta. Jotta pölynpoisto on mahdollisimman tehokas, käytä soveltuvaa liikuteltavaa pölynpoistovarustusta. Tarvittaessa käytä hengityssuojainta, joka soveltuu kyseessä olevalla pölylle. Varmista työpaikan hyvä tuuletus. Noudata eri materiaalien työstöstä annettuja maakohtaisia ohjeita ja määräyksiä.**
- ▶ **Jos virransaanti katkeaa, kytke kone pois päältä ja irrota sen pistoke pistorasiasta, tarvittaessa vapauta käyttökytkimen lukitus.** Tämä estää konetta käynnistymästä vahingossa, kun virransaanti palautuu.
- ▶ **Kun teet reikiä, varmista työstettävän kohdan taustapuoli.** Putoamaan tai sinkoutumaan pääsevät palaset voivat aiheuttaa muille vammoja.
- ▶ **Noudata myös kansallisia työturvallisuus- ja työsuojelumääräyksiä.**

Säköturvallisuus

- ▶ **Tarkasta ennen työn aloittamista esimerkiksi metallinilmaisimella, onko työskentelyalueella rakenteiden sisälle asennettuja sähköjohtoja ja kaasu- tai vesiputkia.** Koneen ulkopinnan metalliosiin saattaa johtua jännite, jos vahingossa osut sähköjohtoon. Tästä aiheutuu vakava sähköiskun vaara.
- ▶ **Tarkasta koneen liitäntäjohdon kunto säännöllisesti, ja jos havaitset vaurioita, vaihdata johto erikoiskorjaamossa. Jos sähkötyökalun liitäntäjohto on vaurioitunut, sen tilalle on vaihdettava erityisesti tähän käyttöön tarkoitettu ja hyväksytty johto; näitä johtoja on saatavana huoltoorganisaation kautta. Tarkasta jatkojohdon kunto säännöllisesti, ja vaihda johto, jos havaitset vaurioita. Jos verkkojohto tai jatkojohto vaurioituu työskentelyn aikana, älä kosketa johtoa. Irrota pistoke verkkopistorasiasta. Vaurioituneet liitäntäjohdot ja jatkojohdot aiheuttavat vakavan sähköiskun vaaran.**

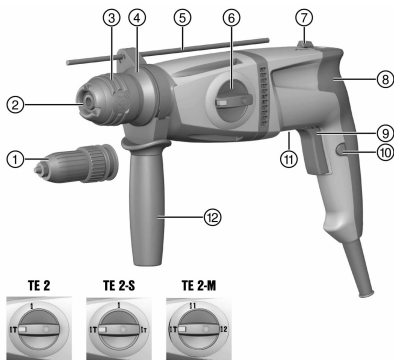
Henkilökohtainen turvallisuus

- ▶ **Käytä suojakäsineitä.** Poravasara voi kuumentua käytön aikana. Työkalun vaihtamisen yhteydessä työkaluun koskeminen voi aiheuttaa haavoja ja palovammoja.



3 Kuvaus

3.1 Tuoteyhteenveto



- ① Kolmileukaistukka (TE 2-M)
- ② Pölysuojus
- ③ Istukka
- ④ Istukan lukitus (TE 2-M)
- ⑤ Syvyysrajoitin
- ⑥ Toimintatavan valintakytkin
- ⑦ Suunnanvaihtokytkin vasemmalle/oikealle
- ⑧ Käsikahva
- ⑨ Käyttökytkin
- ⑩ Karalukitsin
- ⑪ Tyypikilpi
- ⑫ Sivukahva

3.2 Tarkoituksenmukainen käyttö

Kuvattu tuote on sähkökäyttöinen poravasara. Se on tarkoitettu betonin, tiilen, muurauksen, kipsin, puun, muovin ja metallin poraamiseen sekä ruuvien kiertämiseen irti ja kiinni.

- Koneen saa liittää vain verkkovirtaan, jonka jännite ja taajuus vastaavat koneen tyyppikilvessä olevia tietoja.

3.3 Toimituksen sisältö

Poravasara, sivukahva, syvyysrajoitin, käyttöohje.

Muita tälle tuotteelle hyväksytyjä järjestelmätuotteita löydät **Hilti Store** -liikkeestä tai nettiosoitteesta: www.hilti.group | USA: www.hilti.com

4 Tekniset tiedot

Nimellisjännitteen, nimellisvirran, verkkovirran taajuuden ja/tai nimellisottotehon näet maakohtaisesta tyyppikilvestä.

Jos konetta käytetään generaattoriin tai muuntajaan liitettynä, generaattorin tai muuntajan antotehon pitää olla vähintään kaksi kertaa niin suuri kuin koneen tyyppikilpeen merkitty nimellisottoteho. Muuntajan tai generaattorin käyttöjännitteen pitää aina olla rajoissa +5 % ja -15 % koneen nimellisjännitteestä.

	TE 2	TE 2-S	TE 2-M
Paino EPTA 01 mukaan	2,7 kg	2,7 kg	2,9 kg
Poraaminen betoniin / tiileen (iskupora)	4 mm ... 22 mm	4 mm ... 22 mm	4 mm ... 22 mm
Poraaminen puuhun (puuporanterät)	1	4 mm ... 20 mm	10 mm ... 20 mm
	2	•/•	•/•
Metalliin porattavan reiän halkaisija	1	3 mm ... 13 mm	8 mm ... 13 mm
	2	•/•	•/•
Syvyysrajoittimen maksimipituus	180 mm	180 mm	180 mm

4.1 Melutiedot ja värinäarvot EN 62841 mukaan

Tässä käyttöohjeessa annetut äänenpaine- ja värinäarvot on mitattu standardoitujen mittausmenetelmien mukaisesti, ja näitä arvoja voidaan käyttää sähkötyökalujen vertailussa. Ne soveltuvat myös altistumisten tilapäiseen arviointiin.



Annetyt arvot koskevat sähkötyökalun pääasiallisia käyttötarkoituksia. Jos sähkötyökalua kuitenkin käytetään muihin tarkoituksiin, poikkeavia työkaluja tai teriä käyttäen tai puutteellisesti huollettuna, arvot voivat poiketa tässä ilmoitetuista. Tämä saattaa merkittävästi lisätä altistumista koko työskentelyajan aikana.

Altistumisia tarkasti arvioitaessa on otettava huomioon myös ne ajat, jolloin sähkötyökalu on kytketty pois päältä tai jolloin sähkötyökalu on päällä, mutta sillä ei tehdä varsinaista työtä. Tämä saattaa merkittävästi vähentää altistumista koko työskentelyajan aikana.

Käyttäjän suojaamiseksi melun ja/tai värinän vaikutukselta ryhdy tarpeellisiin turvatoimenpiteisiin kuten: Sähkötyökalun ja siihen kiinnitettävien työkalujen huolto, käsien lämpimänä pitäminen, työtehtävien organisointi.

Melutiedot

Äänitehotaso (L_{WA})	102,1 dB(A)
Melutehotason epävarmuus (K_{WA})	3 dB(A)
Melupäästön äänenpainetaso (L_{pA})	91,1 dB(A)
Äänenpainetaso epävarmuus (K_{pA})	3 dB(A)

Tärinäarvot

Tärinäarvo iskuporattaessa betoniin ($a_{h, HD}$)	12,1 m/s ²
Tärinäarvo porattaessa metalliin ($a_{h, D}$)	2,8 m/s ²
Ilmoitetun tärinäarvon epävarmuus (K)	1,5 m/s ²

5 Käyttö

<p>Sivukahvan kiinnitys</p> <p> VAROITUS</p> <p>Loukkaantumisaara! Kiinnitetty mutta ei-käytettävä syvyyssrajoitin haittaa koneen käyttäjää ja aiheuttaa vaaran.</p> <ul style="list-style-type: none"> ▶ Irrota syvyyssrajoitin koneesta. <p> VAROITUS</p> <p>Loukkaantumisaara! Tuotteen hallinnan menettämisen vaara.</p> <ul style="list-style-type: none"> ▶ Varmista, että sivukahva on kiinnitetty oikein ja kunnolla kiinni. Varmista, että kiinnityspanta on oikein paikallaan tuotteessa olevassa urassa. 	2
<p>TE 2-M</p> <p>Istukan kiinnitys ja irrotus</p> <p>Työkaluterän asennus/irrotus: SDS-istukka</p> <p> Soveltumattoman rasvan käyttö voi vaurioittaa tuotetta. Käytä vain alkuperäistä Hilti-rasvaa.</p>	3
<p>TE 2-M</p> <p>Työkaluterän asennus/irrotus: Pikaistukka</p> <p>Syvyyssrajoittimen säätäminen</p> <p> Ota syvyyssrajoittimen maksimipituus aina huomioon.</p>	4
<p>Poraaminen iskulla (iskuporaus) </p> <p>TE 2-S</p> <p>Hienoisku </p>	5
<p>TE 2</p> <p>TE 2-S</p> <p>Poraaminen </p>	6
<p>TE 2-M</p> <p>Poraaminen ykkösvaihteella 1 tai poraaminen kakkosvaihteella 2</p>	7



Suunnanvaihtokytkin vasemmalle/oikealle

HUOMIO

Vaurioitumisvaara Käyttäminen koneen käydessä saattaa johtaa vaihteiston vaurioitumiseen.

- Suunnanvaihtokytkintä ei saa käyttää koneen käydessä.

6 Huolto, hoito ja kunnossapito

VAARA

Sähköiskun vaara! Hoito- ja kunnostustöiden suorittaminen pistoke pistorasiaan liitettynä voi johtaa vakaviin loukkaantumisiin ja palovammoihin.

- Irrota pistoke verkkopistorasiasta aina ennen hoito- ja kunnostustöitä!

Huolto ja hoito

- Poista pinttynyt lika varovasti.
- Puhdista jäähdytysilmaraot varovasti kuivalla harjalla.
- Käytä kotelon puhdistamiseen vain kevyesti kostutettua kangasta. Älä käytä silikonia sisältäviä hoitoaineita, sillä ne voivat vaurioittaa muoviosia.

Kunnossapito

VAARA

Sähköiskun aiheuttama vaara! Sähköosien asiantuntemattomat korjaukset voivat aiheuttaa vakavia loukkaantumisia ja palovammoja.

- Sähköosien korjaustyöt saa tehdä ainoastaan valtuutettu sähköasentaja.
- Tarkasta säännöllisin välein kaikkien näkyvien osien mahdolliset vauriot ja käyttöelementtien moitteeton toiminta.
- Jos havaitset vaurioita ja / tai toteat toimintahäiriöitä, älä käytä tuotetta. Korjauta heti **Hilti**-huollossa.
- Hoito- ja kunnostustöiden jälkeen kiinnitä kaikki suojalaitteet ja tarkasta niiden toiminta.



Käyttöturvallisuuden varmistamiseksi käytä vain alkuperäisiä varaosia ja käyttömateriaaleja. Tälle tuotteelle hyväksytyjä varaosia, kulutusmateriaaleja ja lisävarusteita löydät **Hilti Store** -liikkeestä tai osoitteesta: www.hilti.group.

6.1 Pölysuojuksen vaihto

- Vaihda pölysuojus.

7 Kuljetus ja varastointi

- Älä kuljeta sähkötyökalua työkaluterä kiinnitettynä.
- Varastoi sähkötyökalu aina sen pistoke verkkopistorasiasta irrotettuna.
- Varastoi kone lasten ja asiattomien henkilöiden ulottumattomissa.
- Pitemmän kuljetuksen tai varastoinnin jälkeen tarkasta sähkötyökalun mahdolliset vauriot ennen käyttöä.

8 Apua häiriötilanteisiin

Häiriöissä, joita ei ole kuvattu tässä taulukossa tai joita et itse pysty poistamaan, ota yhteys **Hilti**-huoltoon.

8.1 Apua häiriötilanteisiin

Häiriö	Mahdollinen syy	Ratkaisu
Kone ei käynnisty.	Jännitteensaanti katkennut.	▸ Liitä toinen sähkötyökalu ja tarkasta toimiiko se.
Ei iskua.	Kone liian kylmä.	▸ Aseta poravasara pintaa vasten ja anna käydä joutokäyntiä. Tarvittaessa toista tämä, kunnes iskumeکانismi toimii.



Häiriö	Mahdollinen syy	Ratkaisu
Ei iskua.	Toimintatapavalitsin ilman iskua poraamisen asennossa	► Aseta toimintatapavalitsin iskulla poraamisen asentoon
Poravasaran teho on heikko.	Käyttökytkin ei täysin pohjaan painettuna.	► Paina käyttökytkin pohjaan vasteeseen saakka.
	TE 2-S	► Aseta toimintatapavalitsin iskulla poraamisen asentoon
	Toimintatapavalitsin hienoiskun asennossa	► Käytä jatkojohtoa, jonka poikkipinta-ala on riittävän suuri.
Jatkojohdon poikkipinta-ala on liian pieni.		
Poranterää ei saa vapautettua lukituksesta.	Istukkaa ei ole vedetty kunnolla taakse.	► Vedä työkaluterän lukitsin taaksepäin vasteeseen saakka ja irrota työkaluterä.
Poranterä ei poraa.	Kone kytketty pyörimään vasemmalle.	► Kytke kone pyörimään oikealle.

9 Hävittäminen

Hilti-työkalut, -koneet ja -laitteet on pääosin valmistettu kierrätyskelpoisista materiaaleista. Kierrätyksen edellytys on materiaalin asianmukainen lajittelu. Useissa maissa **Hilti** ottaa vanhat koneet ja laitteet vastaan kierrätystä ja hävitystä varten. Lisätietoja saat **Hilti**-huollosta tai -edustajalta.



- Älä hävitä sähkötyökaluja, elektronisia laitteita ja akkuja tavallisen sekajätteen mukana!

10 RoHS (vaarallisten aineiden käytön rajoittamisen direktiivi)

Vaarallisten aineiden taulukon löydät seuraavasta linkistä: qr.hilti.com/r3682, (TE 2), qr.hilti.com/r3684 (TE 2-M) ja qr.hilti.com/r3683 (TE 2-S).

Linkki RoHS-taulukkoon on tämän dokumentaation lopussa QR-koodina.

11 Valmistajan myöntämä takuu

- Jos sinulla on takuuehtoihin liittyviä kysymyksiä, ota yhteys paikalliseen **Hilti**-edustajaan.

Перевод оригинального руководства по эксплуатации

1 Данные руководства по эксплуатации

1.1 Об этом документе



Импортер и уполномоченная изготовителем организация

- (RU) Российская Федерация
АО "Хилти Дистрибушн ЛТД", 141402, Московская область, г. Химки, ул. Ленинградская, стр. 25, комната 15.26
- (BY) Республика Беларусь
ИООО "Хилти БиУай", 222750, Минская область, Дзержинский район, Р-1, 18-й км, 2 (около д. Слободка), помещение 1-34
- (KZ) Республика Казахстан
ТОО "Хилти Казахстан", 050057, г. Алматы, Бостандыкский район, ул. Тимирязева, дом 42/15, литер 012 (корпус15)



- (AM) Республика Армения
ООО "ЭЙЧ-КОН", 0070, г. Ереван, ул. Ерванда Кочара 19/28

Страна производства: см. маркировочную табличку на оборудовании.

Дата производства: см. маркировочную табличку на оборудовании.

Соответствующий сертификат можно найти по адресу: www.hilti.ru

Специальных требований к условиям хранения, транспортировки и использования, кроме указанных в руководстве по эксплуатации, нет.

Срок службы изделия составляет 5 лет.

- Перед началом работы изучите это руководство по эксплуатации. Это является залогом безопасной и бесперебойной работы.
- Соблюдайте указания по технике безопасности и предупреждающие указания, приведенные в этом руководстве по эксплуатации и на устройстве.
- Всегда храните руководство по эксплуатации рядом с устройством и передавайте устройство другим людям только вместе с этим руководством по эксплуатации.

1.2 Пояснение к знакам

1.2.1 Предупреждающие указания

Предупреждающие указания служат для предупреждения об опасностях при обращении с изделием. Используются следующие сигнальные слова:

ОПАСНО

ОПАСНО !

- ▶ Общее обозначение непосредственной опасной ситуации, которая влечет за собой тяжелые травмы или смертельный исход.

ПРЕДУПРЕЖДЕНИЕ

ПРЕДУПРЕЖДЕНИЕ !

- ▶ Общее обозначение потенциально опасной ситуации, которая может повлечь за собой тяжелые травмы или смертельный исход.





ОСТОРОЖНО

ОСТОРОЖНО !

- ▶ Общее обозначение потенциально опасной ситуации, которая может повлечь за собой травмы или повреждение оборудования (материальный ущерб).


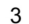

1.2.2 Символы, используемые в руководстве

В этом руководстве используются следующие символы:

	Соблюдать руководство по эксплуатации
	Указания по эксплуатации и другая полезная информация
	Обращение с материалами, пригодными для вторичной переработки
	Не выбрасывайте электроинструменты и аккумуляторы вместе с бытовым мусором!

1.2.3 Символы на изображениях

На изображениях используются следующие символы:

	Эти цифры указывают на соответствующее изображение в начале данного руководства.
	Нумерация на иллюстрациях указывает на важные рабочие операции или на компоненты (детали), важные для рабочих операций. В тексте эти рабочие операции или компоненты выделены соответствующими номерами, например (3) .
	Номера позиций используются в обзорном изображении. В обзоре изделия они указывают на номера в экспликации.





Этот знак должен привлечь особое внимание пользователя при обращении с изделием.

1.3 Символы в зависимости от изделия

1.3.1 Символы на изделии

На изделии используются следующие символы:

	Сверление без удара
	Сверление с ударом (ударное сверление)
	Сверление без удара на 1-й ступени частоты вращения
	Сверление без удара на 2-й ступени частоты вращения
	Точный удар
	Изменение направления вращения (реверс)
n_0	Номинальная частота вращения в режиме холостого хода
/min	об/мин
	Класс защиты II (двойная изоляция)

1.4 Информация об изделии

Изделия Hilti предназначены для профессионального использования, поэтому они должны обслуживаться и ремонтироваться только уполномоченным и обученным персоналом. Этот персонал должен пройти специальный инструктаж по технике безопасности. Использование изделия и его оснастки не по назначению или его эксплуатация необученным персоналом могут представлять опасность.

Типовое обозначение и серийный номер указаны на заводской табличке.

- Перепишите серийный номер в нижеприведенную табличную форму. Данные изделия необходимы при обращении в наше представительство или сервисный центр.

Указания к изделию

Перфоратор	TE 2 TE 2-S TE 2-M
Поколение	02
Серийный №	

1.5 Декларация соответствия нормам

Настоящим мы с полной ответственностью заявляем, что данное изделие соответствует действующим директивам и нормам. Копию декларации соответствия нормам см. в конце этого документа.

Техническая документация (оригиналы) хранится здесь:

Hilti Entwicklungsgesellschaft mbH | Zulassung Geräte | Hiltistraße 6 | 86916 Kaufering, Германия

2 Безопасность

2.1 Общие указания по технике безопасности для электроинструментов

⚠ ПРЕДУПРЕЖДЕНИЕ Изучите все указания по технике безопасности, инструкции, иллюстрации и технические данные, которые прилагаются к данному электроинструменту. Несоблюдение приводимых ниже указаний может привести к поражению электрическим током, пожару и/или тяжелым травмам.

Сохраните все указания по технике безопасности и инструкции для следующего пользователя.

Используемый далее термин «электроинструмент» относится к электроинструменту, работающему от электрической сети (с кабелем электропитания) и от аккумулятора (без кабеля электропитания).



Безопасность рабочего места

- ▶ Следите за чистотой и хорошей освещенностью на рабочем месте. Беспорядок на рабочем месте или плохое освещение могут привести к несчастным случаям.
- ▶ Не используйте электроустройство/электроинструмент во взрывоопасной зоне, где имеются горючие жидкости, газы или пыль. При работе электроустройство/электроинструмент искрит, и искры могут воспламенить пыль или пары/газы.
- ▶ Не разрешайте детям и посторонним приближаться к работающему электроустройству/электроинструменту. Отвлекаясь от работы, можно потерять контроль над электроустройством/электроинструментом.

Электрическая безопасность

- ▶ Соединительная вилка электроинструмента должна соответствовать розетке электросети. Не изменяйте конструкцию вилки! Не используйте переходные вилки с электроинструментами с защитным заземлением. Использование оригинальных вилок и соответствующих им розеток снижает риск поражения электрическим током.
- ▶ Избегайте непосредственного контакта с заземленными поверхностями, например с трубами, отопительными приборами, газо-/электропластинами и холодильниками. При контакте с заземленными предметами возникает повышенный риск поражения электрическим током.
- ▶ Предохраняйте электроинструменты от дождя или воздействия влаги. В результате попадания воды в электроинструмент возрастает риск поражения электрическим током.
- ▶ Не используйте кабель электропитания не по назначению, например для переноски электроинструмента, его подвешивания или для выдергивания вилки из розетки электросети. Защищайте кабель электропитания от воздействий высоких температур, масла, острых кромок или вращающихся деталей/узлов. В результате повреждения или схлестывания кабелей электропитания повышается риск поражения электрическим током.
- ▶ Если работы с электроинструментом выполняются на открытом воздухе, применяйте только удлинительные кабели, которые разрешено использовать вне помещений. Использование удлинительного кабеля, пригодного для использования вне помещений, снижает риск поражения электрическим током.
- ▶ Если избежать работы с электроинструментом в условиях влажности не представляется возможным, используйте автомат защиты от тока утечки. Использование автомата защиты от тока утечки снижает риск поражения электрическим током.

Безопасность персонала

- ▶ Будьте внимательны, следите за своими действиями и серьезно относитесь к работе с электроинструментом. Не пользуйтесь электроинструментом, если вы устали или находитесь под действием наркотиков, алкоголя или медикаментов. Незначительная ошибка при невнимательной работе с электроинструментом может стать причиной серьезного травмирования.
- ▶ Используйте средства индивидуальной защиты и всегда надевайте защитные очки. Использование средств индивидуальной защиты, например респиратора, защитной обуви на нескользящей подошве, защитной каски или защитных наушников, в зависимости от вида и условий эксплуатации электроинструмента, снижает риск травмирования.
- ▶ Избегайте непреднамеренного включения электроинструмента. Убедитесь в том, что электроинструмент выключен, прежде чем подключить его к электропитанию и/или вставить аккумулятор, поднимать или переносить электроинструмент. Ситуации, когда при переноске электроинструмента палец находится на выключателе или когда включенный электроинструмент подключается к электросети, могут привести к несчастным случаям.
- ▶ Перед включением электроинструмента удалите регулировочные приспособления или гаечные ключи. Рабочий инструмент или гаечный ключ, находящийся во вращающейся части электроинструмента, может стать причиной получения травм.
- ▶ Старайтесь избегать неестественных поз при работе. Постоянно сохраняйте устойчивое положение и равновесие. Это позволит лучше контролировать электроинструмент в непредвиденных ситуациях.
- ▶ Носите спецодежду. Не надевайте очень свободную одежду или украшения. Оберегайте волосы, одежду и защитные перчатки от вращающихся узлов электроинструмента. Свободная одежда, украшения и длинные волосы могут быть захвачены ими.
- ▶ Если предусмотрено подсоединение устройств для удаления и сбора пыли, убедитесь в том, что они подсоединены и используются по назначению. Использование пылеудаляющего аппарата снижает вредное воздействие пыли.
- ▶ Не пребывайте в ложной уверенности в собственной безопасности и не пренебрегайте правилами техники безопасности для электроинструментов, даже если вы являетесь опытным



пользователем электроинструмента. Неосторожное обращение может в течение долей секунды стать причиной получения тяжелых травм.

Использование и обслуживание электроинструмента

- ▶ **Не допускайте перегрузки электроинструмента. Используйте электроинструмент, предназначенный именно для данной работы.** Соблюдение этого правила обеспечит более высокое качество и безопасность работы в указанном диапазоне мощности.
- ▶ **Не используйте электроинструмент с неисправным выключателем.** Электроинструмент, включение или выключение которого затруднено, представляет опасность и должен быть отремонтирован.
- ▶ **Прежде чем приступить к регулировке электроинструмента, замене принадлежностей или перед перерывом в работе выньте вилку из розетки и/или аккумулятор из электроинструмента.** Данная мера предосторожности позволит предотвратить непреднамеренное включение электроинструмента.
- ▶ **Храните неиспользуемые электроинструменты в местах, недоступных для детей. Не позволяйте использовать электроинструмент лицам, которые не ознакомлены с ним или не читали эти инструкции.** Электроинструменты представляют собой опасность в руках неопытных пользователей.
- ▶ **Бережно обращайтесь с электроинструментами и принадлежностями. Проверяйте безупречное функционирование подвижных частей, легкость их хода, целостность и отсутствие повреждений, которые могли бы отрицательно повлиять на работу электроинструмента. Сдавайте поврежденные части электроинструмента в ремонт до его использования.** Причиной многих несчастных случаев является несоблюдение правил технического обслуживания электроинструментов.
- ▶ **Необходимо следить за тем, чтобы режущие инструменты были острыми и чистыми.** Заклинивание содержащихся в надлежащем состоянии режущих инструментов происходит реже, ими легче управлять.
- ▶ **Применяйте электроинструмент, принадлежности (оснастку), рабочие инструменты и т. д. согласно данным указаниям. Учитывайте при этом рабочие условия и характер выполняемой работы.** Использование электроинструментов не по назначению может привести к опасным ситуациям.
- ▶ **Замасленные рукоятки и поверхности для хвата немедленно очищайте — они должны быть сухими и чистыми.** Скользкие рукоятки и поверхности для хвата не обеспечивают безопасное управление и контроль электроинструмента в непредвиденных ситуациях.

Сервис

- ▶ **Доверяйте ремонт своего электроинструмента только квалифицированному персоналу, использующему только оригинальные запчасти.** Этим обеспечивается поддержание электроинструмента в безопасном и исправном состоянии.

2.2 Указания по технике безопасности при работе с перфораторами

Указания по технике безопасности при выполнении любых работ

- ▶ **Надевайте защитные наушники.** В результате воздействия шума возможна потеря слуха.
- ▶ **Используйте дополнительные рукоятки, которые входят в комплект инструмента.** Потеря контроля над инструментом может привести к травмам.
- ▶ **При опасности повреждения рабочим инструментом скрытой электропроводки или сетевого кабеля держите электроинструмент за изолированные поверхности.** При контакте с токопроводящими предметами незащищенные металлические части электроинструмента находятся под напряжением, что может привести к поражению электрическим током.

Указания по технике безопасности при использовании длинных сверл

- ▶ **Процесс сверления всегда начинайте с низкой частотой вращения. При этом сверло должно контактировать с заготовкой.** В противном случае сверло может легко деформироваться, если оно будет свободно вращаться без контакта с заготовкой, и травмировать пользователя.
- ▶ **Не прижимайте сверло с чрезмерным усилием. При сверлении следите за тем, чтобы прилагаемое усилие было направлено (распределялось) по оси сверла.** Сверла могут деформироваться и вследствие этого ломаться или возможна потеря контроля, что, в свою очередь, может привести к получению травм.

2.3 Дополнительные указания по технике безопасности

Безопасность персонала

- ▶ **Внесение изменений в конструкцию электроинструмента и его модификация запрещаются.**



- ▶ Рукоятки должны быть сухими и чистыми, не замасленными.
- ▶ Убедитесь в том, что боковая рукоятка правильно установлена и надежно закреплена.
- ▶ Чтобы во время работы руки не затекали, время от времени делайте упражнения для расслабления и разминки пальцев.
- ▶ Электроинструмент не предназначен для использования физически слабыми лицами без соответствующего инструктажа.
- ▶ Держите электроинструмент в недоступном для детей месте.
- ▶ Не прикасайтесь к вращающимся деталям/узлам электроинструмента. Включайте электроинструмент только непосредственно в рабочей зоне. Контакт с вращающимися деталями, в частности с вращающимися рабочими (сменными) инструментами, может привести к травмам.
- ▶ При работе следите за тем, чтобы сетевой и удлинительный кабели всегда находились позади электроинструмента. Это снизит риск споткнуться о них во время работы.
- ▶ Пыль, возникающая при обработке лакокрасочных покрытий, содержащих свинец, некоторых видов древесины, бетона/кирпичной и каменной кладки с частицами кварца, минералов, а также металла, может представлять опасность для здоровья. Вдыхание частиц такой пыли или контакт с ней может стать причиной появления аллергических реакций и/или заболеваний дыхательных путей как у пользователя, так и находящихся вблизи лиц. Некоторые виды пыли (например пыль, возникающая при обработке дуба или бука) считаются канцерогенными, особенно в комбинации с дополнительными материалами, используемыми для обработки древесины (соль хромовой кислоты, средства защиты древесины). К работам с асбестосодержащим материалом должны допускаться только специалисты. По возможности используйте подходящую систему пылеудаления. Для эффективного удаления пыли используйте подходящий мобильный пылеудаляющий аппарат. При необходимости надевайте респиратор, который подходит для защиты от конкретного вида пыли. Обеспечьте оптимальную вентиляцию рабочей зоны. Соблюдайте действующие национальные предписания по обработке материалов.
- ▶ При отключении подачи электропитания выключите электроинструмент и выньте вилку сетевого кабеля из розетки. При необходимости разблокируйте выключатель. Это поможет избежать непреднамеренного включения электроинструмента после возобновления подачи электропитания.
- ▶ При сквозном сверлении ограждайте опасную зону с противоположной стороны стены. Вылетающие наружу и/или падающие вниз осколки могут травмировать других людей.
- ▶ Также соблюдайте национальные требования по охране труда.

Электрическая безопасность

- ▶ Перед началом работы проверьте рабочее место на наличие скрытой электропроводки, газо- и водопроводных труб, например с помощью металлоискателя. Открытые металлические части электроинструмента могут стать проводниками электрического тока, например при случайном повреждении электропроводки. При этом возникает опасность поражения электрическим током.
- ▶ Регулярно проверяйте сетевой кабель электроинструмента. Замена поврежденного кабеля должна осуществляться специалистом-электриком. В случае повреждения сетевого кабеля электроинструмента его следует заменить другим, специально предназначенным для замены и допущенным к эксплуатации кабелем, который можно заказать через отдел по обслуживанию клиентов. Регулярно проверяйте удлинительные кабели и при наличии повреждений заменяйте их. Если во время работы сетевой или удлинительный кабель был поврежден, прикасаться к нему запрещается. Выньте вилку сетевого кабеля из розетки. Поврежденные сетевые и удлинительные кабели представляют опасность поражения электрическим током.

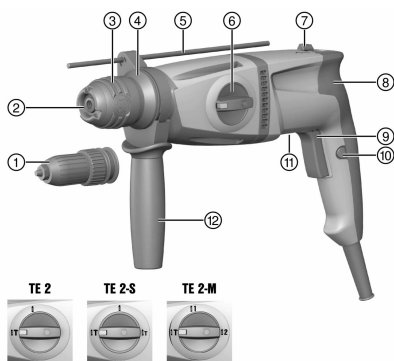
Средства индивидуальной защиты

- ▶ Работайте в защитных перчатках. Перфоратор может нагреваться во время работы. Соблюдайте осторожность при замене рабочих инструментов — контакт с ними может привести к порезам и ожогам.



3 Описание

3.1 Обзор изделия 1



- ① 3-кулачковый патрон (TE 2-M)
- ② Пылезащитный колпак
- ③ Зажимной патрон
- ④ Фиксатор зажимного патрона (TE 2-M)
- ⑤ Ограничитель глубины
- ⑥ Переключатель режимов работы
- ⑦ Переключатель правого/левого вращения
- ⑧ Рукоятка
- ⑨ Выключатель
- ⑩ Кнопка фиксатора
- ⑪ Заводская табличка
- ⑫ Боковая рукоятка

3.2 Использование по назначению

Описываемое изделие представляет собой электрический перфоратор, который предназначен для сверления отверстий в бетоне, кирпичной кладке, гипсокартоне, древесине, пластмассе и металле, а также для вворачивания и выворачивания шурупов.

- ▶ Эксплуатация электроинструмента возможна только при напряжении и частоте электросети, соответствующих указанным на заводской табличке.

3.3 Комплект поставки

Перфоратор, боковая рукоятка, ограничитель глубины, руководство по эксплуатации

Другие системные принадлежности, опущенные для использования с этим изделием, вы можете найти в **Hilti Store** или на сайте **www.hilti.group** | СЛЖА: **www.hilti.com**

4 Технические данные

Номинальное напряжение, номинальный ток, частота и/или номинальная потребляемая мощность указаны на заводской табличке (данные могут варьироваться в зависимости от экспортного исполнения).

При запитывании от генератора/трансформатора его выходная мощность должна быть как минимум вдвое выше номинальной потребляемой мощности, которая указана на заводской табличке электроинструмента. Рабочее напряжение трансформатора или генератора должно всегда находиться в диапазоне между +5 % и -15 % номинального напряжения электроинструмента.

	TE 2	TE 2-S	TE 2-M
Масса согласно методу ЕРТА 01	2,7 кг	2,7 кг	2,9 кг
Диапазон диаметров сверления в бетоне/кирпичной кладке (ударное сверло)	4 мм ... 22 мм	4 мм ... 22 мм	4 мм ... 22 мм
Диапазон диаметров сверления в древесине (цельное сверло)	1	4 мм ... 20 мм	4 мм ... 20 мм
	2	•/•	•/•
Диапазон диаметров сверления отверстий в металле (цельное сверло)	3 мм ... 13 мм	3 мм ... 13 мм	8 мм ... 13 мм



		TE 2	TE 2-S	TE 2-M
Диапазон диаметров сверления отверстий в металле (цельное сверло)	2	•/•	•/•	3 мм ... 8 мм
Максимальная длина ограничителя глубины		180 мм	180 мм	180 мм

4.1 Данные по шуму и вибрациям согласно EN 62841

Приводимые здесь значения уровня звукового давления и вибрации были измерены согласно стандартизированной процедуре измерения и могут использоваться для сравнения электроинструментов между собой. Они также подходят для предварительной оценки вредных воздействий.

Указанные данные применимы к основным областям применения электроинструмента. Однако, если электроинструмент используется для других целей, с другими рабочими (сменными) инструментами или в случае его неудовлетворительного технического обслуживания, данные могут быть иными. Вследствие этого в течение всего периода работы электроинструмента возможно значительное увеличение вредных воздействий.

Для точного определения вредных воздействий следует также учитывать промежутки времени, в течение которых электроинструмент находится в выключенном состоянии или работает вхолостую. Вследствие этого в течение всего периода работы электроинструмента возможно заметное уменьшение вредных воздействий.

Примите дополнительные меры безопасности для защиты пользователя от воздействия возникающего шума и/или вибраций, например: техническое обслуживание электроинструмента и рабочих (сменных) инструментов, сохранение тепла рук, правильная организация рабочих процессов.

Данные о шуме

Уровень звуковой мощности (L_{WA})	102,1 дБ(А)
Погрешность уровня звуковой мощности (K_{WA})	3 дБ(А)
Уровень звукового давления (L_{pA})	91,1 дБ(А)
Погрешность уровня звукового давления (K_{pA})	3 дБ(А)

Данные о вибрации

Значение вибрации при ударном сверлении в бетоне ($a_{h, HD}$)	12,1 м/с ²
Значение вибрации при безударном сверлении в металле ($a_{h, D}$)	2,8 м/с ²
Погрешность приведенных выше значений уровня вибрации (К)	1,5 м/с ²

5 Эксплуатация

<p>Установка боковой рукоятки</p> <p> ОСТОРОЖНО</p> <p>Опасность травмирования! Опасность травмирования пользователя вследствие смонтированного, но не используемого ограничителя глубины.</p> <ul style="list-style-type: none"> ▶ Снимите ограничитель глубины с электроинструмента. <hr/> <p> ОСТОРОЖНО</p> <p>Опасность травмирования! Потеря контроля над электроинструментом.</p> <ul style="list-style-type: none"> ▶ Убедитесь в том, что боковая рукоятка правильно установлена и надежно закреплена. Убедитесь в том, что фиксирующее кольцо установлено в соответствующей канавке на электроинструменте. 	2
<p>TE 2-M</p> <p>Установка/снятие зажимного патрона</p>	3



Установка/извлечение сменного инструмента: патрон SDS Использование неподходящей пластичной смазки может стать причиной повреждения электроинструмента. Используйте только оригинальную пластичную смазку фирмы Hilti.	4
TE 2-M Установка/извлечение сменного инструмента: быстрозажимной патрон	5
Регулировка ограничителя глубины Всегда учитывайте максимальную длину ограничителя глубины.	6
Сверление с ударом (ударное сверление) $\frac{1}{2}$T	7
TE 2-S Точный удар $\frac{1}{2}$T	7
TE 2 TE 2-S Сверление (без удара) $\frac{1}{2}$	7
TE 2-M Сверление на первой скорости $\frac{1}{2}$1 или сверление на второй скорости $\frac{1}{2}$2	7
Изменение направления вращения (реверс) ВНИМАНИЕ Опасность повреждения Переключение во время работы может привести к повреждению редуктора. ▶ Менять положение переключателя правого/левого вращения при работающем электроинструменте запрещается.	8

6 Уход и техническое обслуживание

ПРЕДУПРЕЖДЕНИЕ

Опасность травмирования вследствие удара электрическим током! Выполнение работ по уходу и обслуживанию с подключенной вилкой кабеля электропитания может привести к тяжелым травмам и ожогам.

- ▶ Перед проведением любых работ по уходу и обслуживанию всегда вынимайте из розетки вилку кабеля электропитания!

Уход

- Осторожно удаляйте налипшую грязь.
- Осторожно очищайте вентиляционные прорези сухой щеткой.
- Очищайте корпус только с использованием слегка увлажненной ткани. Не используйте средства по уходу с содержанием силикона, поскольку они могут повредить пластиковые детали.

Техническое обслуживание

ПРЕДУПРЕЖДЕНИЕ

Опасность вследствие удара электрического тока! Неквалифицированный ремонт компонентов электрической части может привести к получению серьезных травм и ожогам.

- ▶ Ремонт электрической части перфоратора поручайте только специалисту-электрику.
- Регулярно проверяйте все видимые части электроинструмента на отсутствие повреждений, а элементы управления — на исправное функционирование.
- При повреждениях и/или функциональных сбоях не используйте электроинструмент. Сразу сдавайте его в сервисный центр **Hilti** для ремонта.
- После ухода за электроинструментом и его технического обслуживания установите все защитные приспособления на место и проверьте их исправное функционирование.





Для обеспечения безопасной эксплуатации используйте только оригинальные запасные части и расходные материалы. Допущенные нами запасные части, расходные материалы и принадлежности для данного изделия вы можете найти в **Hilti Store** или смотрите на www.hilti.group.

6.1 Замена пылезащитного колпака

- ▶ Замените пылезащитный колпак.

7 Транспортировка и хранение

- Транспортировка электроинструмента с установленным рабочим инструментом запрещается.
- Храните электроинструмент всегда с вынутой вилкой кабеля.
- Храните электроинструмент в сухом виде в недоступном для детей и других лиц, не допущенных к работе с данным электроинструментом, месте.
- После продолжительной транспортировки или длительного хранения перед использованием проверьте электроинструмент на отсутствие повреждений.

8 Помощь при неисправностях

В случае неисправностей, которые не указаны в этой таблице или которые вы не можете устранить самостоятельно, обращайтесь в ближайший сервисный центр **Hilti**.

8.1 Помощь при неисправностях

Неисправность	Возможная причина	Решение
Электроинструмент не включается.	Сбой электропитания	▶ Подключите другой электроинструмент и проверьте его функционирование.
Не выполняется сверление с ударом.	Электроинструмент слишком холодный.	▶ Установите перфоратор на основание и дайте ему поработать в холостом режиме. При необходимости повторите процедуру, пока не заработает ударный механизм.
	Установите переключатель режимов работы в положение «Сверление без удара» .	▶ Установите переключатель режимов работы в положение «Ударное сверление» (сверление с ударом) .
Перфоратор работает не на полную мощность.	Не полностью нажат выключатель.	▶ Нажмите выключатель до упора.
	TE 2-S	▶ Установите переключатель режимов работы в положение «Ударное сверление» (сверление с ударом) .
	Переключатель режимов работы в положении «Точный удар» .	▶ Установите переключатель режимов работы в положение «Ударное сверление» (сверление с ударом) .
Сверло не высвобождается из патрона.	Удлинительный кабель имеет слишком малое сечение.	▶ Используйте удлинительный кабель с достаточным сечением.
	Не полностью оттянут (отжат) зажимной патрон.	▶ Оттяните патрон до упора назад и извлеките рабочий инструмент.
Сверло не сверлит.	У электроинструмента включено левое вращение.	▶ Переключите электроинструмент в положение правого вращения.

9 Утилизация

Большинство материалов, из которых изготовлены электроинструменты **Hilti**, подлежат вторичной переработке. Перед утилизацией следует тщательно рассортировать материалы (для удобства их



последующей переработки). Во многих странах фирма **Hilti** уже организовала прием старых (электро) инструментов (изделий) для утилизации. Дополнительную информацию по этому вопросу можно получить в отделе по обслуживанию клиентов или у консультантов по продажам фирмы **Hilti**.



- ▶ Не выбрасывайте электрические инструменты, электронные устройства/приборы и аккумуляторы вместе с обычным мусором!

10 RoHS (Директива об ограничении применения опасных веществ)

По этой ссылке доступна таблица опасных веществ: qr.hilti.com/r3682, (TE 2), qr.hilti.com/r3684 (TE 2-M) и qr.hilti.com/r3683 (TE 2-S).

Ссылку в виде QR-кода на таблицу опасных веществ согласно директиве RoHS см. в конце настоящего документа.

11 Гарантия производителя

- ▶ С вопросами по поводу гарантийных условий обращайтесь в ближайшее представительство **Hilti**.

Оригинално Ръководство за експлоатация

1 Данни за Ръководството за експлоатация

1.1 Към Ръководството за експлоатация

- Преди пускане в експлоатация прочетете настоящото Ръководство за експлоатация. Това е предпоставка за безопасна работа и безаварийна употреба.
- Спазвайте указанията за безопасност и предупреждение в това Ръководство за експлоатация и върху продукта.
- Съхранявайте Ръководството за експлоатация винаги заедно с продукта и предавайте продукта на други лица само заедно с настоящото Ръководство за експлоатация.

1.2 Условни обозначения

1.2.1 Предупредителни указания

Предупредителните указания предупреждават за опасност в зоната около продукта. Използват се следните сигнални думи:

ОПАСНОСТ

ОПАСНОСТ !

- ▶ Отнася се за непосредствена опасност от заплаха, която води до тежки телесни наранявания или смърт.

ПРЕДУПРЕЖДЕНИЕ

ПРЕДУПРЕЖДЕНИЕ !

- ▶ Отнася се за възможна опасност от заплаха, която може да доведе до тежки телесни наранявания или смърт.

ПРЕДПАЗЛИВОСТ

ВНИМАНИЕ !

- ▶ Отнася се за възможна опасна ситуация, която може да доведе до телесни наранявания или материални щети.

1.2.2 Символи в Ръководството за експлоатация

В настоящото Ръководство за експлоатация се използват следните символи:



	Да се съблюдава Ръководството за експлоатация
	Препоръки при употреба и друга полезна информация
	Боравене с рециклируеми материали
	Не изхвърляйте електроуреди и акумулатори в битовите отпадъци

1.2.3 Символи във фигурите

Във фигурите се използват следните символи:

	Тези числа препращат към съответната фигура в началото на настоящото Ръководство за експлоатация.
3	Номерирането в илюстрациите показва важни работни стъпки или компоненти, които са важни за работните стъпки. В текста тези работни стъпки или компоненти са означени със съответните номера, напр. (3).
	Позиционните номера се използват в илюстрацията Преглед и препращат към номерата на легендата в Раздел Преглед на продукта .
	Този знак трябва да предизвика Вашето специално внимание при работа с продукта.

1.3 Символи в зависимост от продукта

1.3.1 Символи върху продукта

Върху продукта се използват следните символи:

	Безударно пробиване
	Ударно пробиване (пробиване с удар)
	Безударно пробиване 1-ва скорост
	Безударно пробиване 2-ра скорост
	Фин удар
	Дясно/ляво въртене
n_0	Обороти на празен ход при измерване
/min	Обороти в минута
	Клас на защита II (двойна изолация)

1.4 Информация за продукта

Hilti Продуктите са предназначени за професионални потребители и могат да бъдат обслужвани, поддържани в изправност и ремонтирани само от оторизиран компетентен персонал. Този персонал трябва да бъде специално инструктиран за възможните опасности. Продуктът и неговите приспособления могат да бъдат опасни, ако бъдат експлоатирани неправомерно от неквалифициран персонал или ако бъдат използвани не по предназначение.

Обозначението на типа и серийният номер са отбелязани върху типовата табелка.

- ▶ Пренесете серийния номер в представената по-долу таблица. Вие се нуждаете от данните за продукта, ако се обръщате с въпроси към наше представителство или сервизен отдел.

Данни за продукта

Ударно-пробивна машина	TE 2 TE 2-S TE 2-M
Покολение	02
Сериен №	



1.5 Декларация за съответствие

Ние декларираме на собствена отговорност, че описаният тук продукт отговаря на действащите директиви и стандарти. Копие на Декларацията за съответствие ще намерите в края на настоящата документация.

Тук се съхранява Техническата документация:

Hilti Entwicklungsgesellschaft mbH | Zulassung Geräte | Hiltistraße 6 | 86916 Kaufering, DE

2 Безопасност

2.1 Общи указания за безопасност при електроинструменти

⚠ ПРЕДУПРЕЖДЕНИЕ Прочетете всички указания за безопасност, инструкции, илюстрации и технически характеристики, с които е снабден този електроинструмент. Пропуски при спазване на приведените по-долу инструкции могат да предизвикат електрически удар, пожар и/или тежки наранявания.

Съхранявайте всички указания за безопасност и инструкции за бъдещи справки.

Използването на указанията за безопасност понятие "електроинструмент" се отнася до захранвани от електрическата мрежа електроинструменти (със захранващ кабел) или до захранвани от акумулатор електроинструменти (без захранващ кабел).

Безопасност на работното място

- ▶ **Поддържайте работното си място чисто и добре осветено.** Безпорядъкът или недостатъчното осветление в работната зона може да доведат до злополуки.
- ▶ **Не работете с електроинструмента във взривоопасна среда, където има горими течности, газове или прах.** В електроинструментите се отделят искри, които могат да възпламенят прахове или изпарения.
- ▶ **Дръжте деца и странични лица на безопасно разстояние, докато работите с електроинструмента.** Ако вниманието Ви бъде отклонено, може да загубите контрол върху уреда.

Безопасност при работа с електроинструменти

- ▶ **Съединителният щепсел на електроинструмента трябва да бъде подходящ за контакта.** В никакъв случай не се допуска изменение на конструкцията на щепсела. Ако работите със заземени електроинструменти, не използвайте адаптери за щепсела. Използването на оригинални щепсели и подходящи контакти намалява риска от електрически удар.
- ▶ **Избягвайте допира на тялото Ви до заземени повърхности като тръби, отоплителни уреди, печки и хладилници.** Рискът от възникване на електрически удар се увеличава, ако тялото Ви е заземено.
- ▶ **Предпазвайте електроинструментите от дъжд или влага.** Проникването на вода в електроинструмента повишава опасността от възникване на електрически удар.
- ▶ **Не използвайте съединителния проводник за цели, за които не е предназначен, напр. за носене на електроинструмента, за окачване или за изваждане на щепсела от контакта.** Предпазвайте съединителния проводник от нагряване, масла, остри ръбове или движещи се части. Повредени или усукани съединителни проводници увеличават риска от електрически удар.
- ▶ **Ако работите с електроинструмент на открито, използвайте само удължителни кабели, които са подходящи и за работа навън.** Използването на удължителен кабел, предназначен за работа на открито, намалява риска от електрически удар.
- ▶ **Ако не можете да избегнете работа с електроинструмента във влажна среда, използвайте ключ с вградена дефектотокова защита.** Използването на ключ с вградена дефектотокова защита намалява риска от електрически удар.

Безопасен начин на работа

- ▶ **Бъдете концентрирани, следете внимателно действията си и постъпвайте разумно при работа с електроинструменти.** Не използвайте електроинструмент, ако сте уморени или се намирате под въздействие на наркотици, алкохол или медикаменти. Само един момент на невнимание при използването на електроинструмента може да доведе до сериозни наранявания.
- ▶ **Носете лични предпазни средства и работете винаги със защитни очила.** Носенето на лични предпазни средства, като прахозащитна маска, безопасасени обувки със стабилен грайфер, защитна каска или антифони, според вида и употребата на електроинструмента, намалява риска от наранявания.
- ▶ **Избягвайте неволно включване на електроинструмента.** Уверете се, че електроинструментът е изключен, преди да го свържете към електрозахранването и/или акумулатора, преди да го вземате или пренасяте. Ако при носене на електроинструмента държите пръста си върху



пусковия прекъсвач или ако свържете включения уред към електрозахранването, съществува опасност от злополука.

- ▶ **Преди да включите електроинструмента, се уверете, че сте отстранили от него всички инструменти за настройка или гаечни ключове.** Инструмент или ключ, който се намира на въртящо се звено, може да доведе до наранявания.
- ▶ **Избягвайте неудобните положения на тялото. Работете при стабилно положение на тялото и пазете равновесие във всеки един момент.** Така ще можете да контролирате електроинструмента по-добре, ако възникнат неочаквани ситуации.
- ▶ **Работете с подходящо облекло. Не работете с широки и дълги дрехи или украшения. Дръжте косата си, дрехите си и ръкавиците си на безопасно разстояние от въртящи се части.** Свободните дрехи, украшенията или дългите коси могат да бъдат захванати и увлечени от въртящи се части.
- ▶ **Ако е възможно монтирането на съоръжения за събиране и изсмукване на прах, се уверете, че те са включени и се използват правилно.** Използването на прахоуловител може да намали породените от прахове опасности.
- ▶ **Не се поддавайте на измамното усещане за сигурност и не пренебрегвайте правилата за безопасност за електроинструменти дори и след като много добре сте опознали електроинструмента и сте го използвали многократно.** Нехайното действие може да доведе за части от секундата до тежки наранявания.

Използване и обслужване на електроинструмента

- ▶ **Не претоварвайте уреда.** Използвайте електроинструмента само съобразно неговото предназначение. Ще работите по-добре и по-безопасно, ако използвате подходящия електроинструмент в посочения диапазон на мощност.
- ▶ **Не използвайте електроинструмент, чийто прекъсвач е повреден.** Електроинструмент, който не може повече да бъде включван или изключван, е опасен и трябва да бъде ремонтиран.
- ▶ **Издадете щепсела от контакта и/или отстранете разглобения акумулатор, преди да предприемете действия по настройките на уреда, смяната на принадлежности или прибирането на уреда.** Тази предпазна мярка предотвратява опасността от задействане на електроинструмента по невнимание.
- ▶ **Съхранявайте неизползвани в момента електроинструменти далеч от достъпа на деца. Не допускайте използването на уреда от лица, които не са запознати с него или не са прочели настоящите инструкции.** В ръцете на неопитни потребители електроинструментите могат да бъдат опасни.
- ▶ **Отнасяйте се грижливо към електроинструменти и принадлежности.** Проверявайте дали подвижните елементи функционират безупречно и не заклинват, дали има счупени или повредени части, които нарушават функциите на електроинструмента. Преди да използвате уреда, дайте повредените части за ремонт. Много злополуки се дължат на лошо поддържани електроинструменти.
- ▶ **Поддържайте режещите инструменти винаги добре заточени и чисти.** Добре поддържаните режещи инструменти с остри ръбове заклинват по-рядко и се водят по-лесно.
- ▶ **Използвайте електроинструменти, принадлежности, сменяеми инструменти и т.н. съгласно настоящите инструкции.** Съобразявайте се и с конкретните работни условия и с дейностите, които трябва да бъдат извършвани. Употребата на електроинструменти за цели, различни от предвидените от производителя, може да доведе до опасни ситуации.
- ▶ **Поддържайте ръкохватките и повърхностите за хващане сухи, чисти и незамърсени от масла и смазки.** Хлъзгави ръкохватки и повърхности за хващане не позволяват безопасно обслужване и контрол на електроинструмента в непредвидени ситуации.

Сервизиране

- ▶ **Ремонтът на електроинструмента трябва да се извършва само от квалифицирани специалисти и само с оригинални резервни части.** По този начин се гарантира съхранение на безопасността на електроинструмента.

2.2 Указания за безопасност за чукове

Указания за безопасност за всички дейности

- ▶ **Носете антифони.** Въздействието на шума може да доведе до загуба на слуха.
- ▶ **Използвайте доставените заедно с уреда допълнителни ръкохватки.** Загубата на контрол може да доведе до наранявания.
- ▶ **Дръжте уреда за изолираните повърхности за хващане, когато извършвате работи, при които сменяемият инструмент може да попадне на скрита токопроводимост или на собствения си**



мрежов кабел. Контактът с тоководещи проводници може да постави под напрежение металните части на уреда и да доведе до електрически удар.

Указания за безопасност при използване на дълги свредла

- ▶ **Започвайте процеса на пробиване винаги с малък брой обороти и по време контакта на свредлото с детайла.** При по-високи обороти свредлото може леко да се огъне, когато може да се върти свободно без контакт с детайла, и да причини наранявания.
- ▶ **Не прилагайте прекомерен натиск и пробивайте само в надлъжна посока.** Свредлата могат да се огънат и затова да се случат или да причинят загуба на контрол и наранявания.

2.3 Допълнителни указания за безопасност

Безопасен начин на работа

- ▶ **Не са разрешени манипулации или промени по уреда.**
- ▶ **Поддържайте ръкохватките сухи, чисти и почистени от масла и смазки.**
- ▶ **Уверете се, че страничната ръкохватка е монтирана правилно и е закрепена надлежно.**
- ▶ **Правете работни паузи и упражнения за отмора и гимнастика на пръстите за подобряване на кръвообращението в тях.**
- ▶ **Уредът не е предназначен за хора с крехка физика без да им е проведен инструктаж.**
- ▶ **Дръжте уреда далеч от достъпа на деца.**
- ▶ **Избягвайте допира до въртящи се части.** Включвайте уреда едва на работното място. Допирът до въртящи се части, и по-специално до въртящи се инструменти, може да доведе до наранявания.
- ▶ **При работа винаги дръжте мрежовия и удължителния кабел далече отзад зад уреда.** По този начин се намалява опасността от спъване в кабела и падане по време на работа.
- ▶ **Праховите от материали, като съдържаща олово боя, някои видове дървесина, бетон/зидария/скала, които съдържат кварц и минерали, както и метали, могат да бъдат вредни за здравето.** При допир или вдихване на прах могат да възникнат алергични реакции и/или заболявания на дихателните пътища на работещия или на намиращите се в близост лица. Някои прахове, като прах от дъб или бук, се считат за канцерогенни, особено в комбинация с добавки за дървообработка (хромат, средства за защита на дървесина). Азбестосъдържащият материал трябва да се обработва само от специалисти. **По възможност използвайте прахоуловител.** **За да постигнете по-висока степен на прахоулавяне, използвайте подходящ мобилен прахоуловител.** **При нужда носете маска за дихателна защита, която е подходяща за съответния вид прах.** **Осигурете добро проветряване на работното място.** **Спазвайте валидните във Вашата страна разпоредби за материалите за обработване.**
- ▶ **При прекъсване на електрозахранването изключете уреда и извадете мрежовия щепсел, при нужда освободете фиксатора на командния ключ.** По този начин се предотвратява неволното включване на уреда при възстановяване на напрежението.
- ▶ **При пробиване на проходни отвори обезопасете областта на срещуположната страна на извършваните работи.** Възможно е да се отделят и/или да паднат отломки и да наранят намиращи се в близост хора.
- ▶ **Съблюдавайте също така и националните изисквания за охрана на труда.**

Безопасност при работа с електроинструменти

- ▶ **Преди началото на работния процес проверете работната зона за скрити електрически проводници, газо- и водопроводни тръби, напр. с металотърсач.** Външните метални части на уреда могат да станат токопроводящи, ако напр. по невнимание сте повредили тоководещ проводник. Това създава сериозна опасност от възникване на електрически удар.
- ▶ **Проверявайте редовно съединителния за уреда и при повреда се обърнете към оторизиран специалист за подмяна.** Ако е повреден съединителният проводник на електроинструмента, той трябва да се подмени със специално пригоден и разрешен съединителен проводник, който може да намерите в центровете за обслужване на клиенти. **Проверявайте редовно удължителните кабели и подменяйте същите, ако са повредени.** Ако при работа мрежовият или удължителният кабел се повреди, не можете да допирате кабела. **Издадете мрежовия щепсел от контакта.** Повредени съединителни проводници и удължителни кабели пораждаат опасност от възникване на електрически удар.

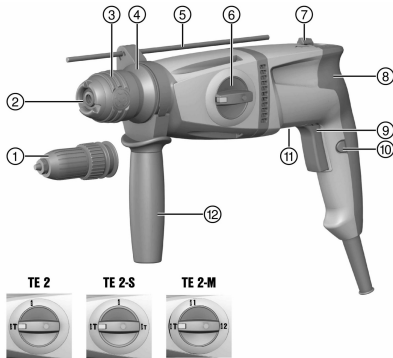
Персонална безопасност

- ▶ **Носете защитни ръкавици.** По време на експлоатация ударно-пробивната машина може да загрее. При подмяна на инструмент допирът до инструмента може да причини наранявания, като порязвания и изгаряния.



3 Описание

3.1 Преглед на продукта



- ① Тричелюстен патронник (TE 2-M)
- ② Прахозащитна капачка
- ③ Патронник
- ④ Патронник блокировка (TE 2-M)
- ⑤ Дълбокомер
- ⑥ Превключвател за избор на функции
- ⑦ Превключвател за дясно/ляво въртене
- ⑧ Ръкохватка
- ⑨ Ключ за управление
- ⑩ Фиксиращ бутон
- ⑪ Типова табелка
- ⑫ Странична ръкохватка

3.2 Употреба по предназначение

Описаният продукт представлява електрическа ударно-пробивна машина. Тя е предназначена за пробивни работи в бетон, зидария, гипсокартон, дърво, пластмаси и метал, както и за завиване и отвиване на винтове.

- ▶ Експлоатацията е разрешена само при посочените върху типовата табелка мрежово напрежение и мрежова честота.

3.3 Обем на доставката

ударно-пробивна машина, странична ръкохватка, дълбокомер, Ръководство за експлоатация.

Други системни продукти, разрешени за Вашия продукт, ще намерите във Вашия **Hilti Store** или онлайн на: www.hilti.group | CALL: www.hilti.com

4 Технически данни

Моля, потърсете на специфичната за Вашата страна типова табелка номиналното напрежение, номиналния ток, честотата и/или номиналната консумация.

При работа с генератор или трансформатор мощността им на отдаване трябва да бъде най-малко двойно по-висока от номиналната консумация, посочена на типовата табелка на уреда. Работното напрежение на трансформатора или генератора по всяко време трябва да бъде в рамките на +5 % и -15 % от номиналното напрежение на уреда.

	TE 2	TE 2-S	TE 2-M
Тегло в съответствие с EPTA-Procedure 01	2,7 кг	2,7 кг	2,9 кг
Диапазон на пробиване в бетон/зидария (ударно пробиване)	4 мм ... 22 мм	4 мм ... 22 мм	4 мм ... 22 мм
Диапазон на пробиване в дърво (плътно свредло)	1	4 мм ... 20 мм	4 мм ... 20 мм
	2	•/•	•/•
Диапазон на пробиване в метал (плътно свредло)	1	3 мм ... 13 мм	3 мм ... 13 мм
	2	•/•	•/•
Максимална дължина на дълбокомер	180 мм	180 мм	180 мм



4.1 Информация за шума и стойности на вибрациите съгласно EN 62841

Посочените в настоящите инструкции стойности на звуковото налягане и на вибрациите са били измерени в съответствие със стандартизиран метод на измерване и могат да бъдат използвани при сравняването на електроинструменти помежду им. Те са подходящи и за предварителна оценка на натоварването от трептения.

Посочените данни представят основните приложения на електроинструмента. Ако обаче електроинструментът се използва за други приложения, с различни сменяеми инструменти или при недостатъчна поддръжка, в данните може да се появят отклонения. Това може значително да повиши натоварването от трептения през целия период на експлоатация.

За точна преценка на натоварването от трептения трябва да се вземат предвид и периодите, в които електроинструментът е изключен или работи, но не е в реална експлоатация. Това може значително да намали натоварването от трептения през целия период на експлоатация.

Определете допълнителни мерки за безопасност с цел защита на работещия срещу въздействието на звука и/или вибрациите, като например: поддръжка на електроинструмент и сменяеми инструменти, поддръжане на топли ръце, организация на работните процеси.

Информация за шума

Ниво на звукова мощност (L_{WA})	102,1 дБ(A)
Отклонение при ниво на звукова мощност (K_{WA})	3 дБ(A)
Емисионно ниво на звуково налягане (L_{pA})	91,1 дБ(A)
Отклонение при ниво на звуково налягане (K_{pA})	3 дБ(A)

Информация за вибрациите

Емисионна стойност на вибрациите при ударно пробиване в бетон (a_h, h_D)	12,1 m/c^2
Емисионна стойност на вибрациите при пробиване в метал (a_h, D)	2,8 m/c^2
Отклонение от посочените стойности на вибрация (K)	1,5 m/c^2

5 Експлоатация

<p>Монтиране на странична ръкохватка</p> <p> ПРЕДПАЗЛИВОСТ</p> <p>Опасност от нараняване! Опасност от възпрепятстване на потребителя поради монтиран, но неизползван дълбокомер.</p> <p>► Отстранете дълбокомера от уреда.</p> <hr/> <p> ПРЕДПАЗЛИВОСТ</p> <p>Опасност от нараняване! Загуба на контрол върху продукта.</p> <p>► Уверете се, че страничната ръкохватка е монтирана правилно и е закрепена надлежно. Уверете се, че обтягащата лента се намира в предвидения за нея жлеб на продукта.</p>	2
<p>TE 2-M</p> <p>Монтиране/демонтиране на патронник</p>	3
<p>Поставяне/изваждане на инструмент: SDS патронник</p> <p> Използването на неподходяща смазка може да причини повреди по продукта. Използвайте само оригинална смазка на Hilti.</p>	4
<p>TE 2-M</p> <p>Поставяне/изваждане на инструмент: Бързозатягащ патронник</p>	5
<p>Настройка на дълбокомер</p> <p> Винаги съблюдавайте максималната дължина на дълбокомера.</p>	6
<p>Ударно пробиване (пробиване с удар) </p>	7



TE 2-S	7
Фин удар	
TE 2 TE 2-S	7
Пробиване	
TE 2-M	7
Пробиване първа скорост или пробиване втора скорост	
Дясно/ляво въртене	8
ВНИМАНИЕ Опасност от повреда Задействането по време на експлоатация може да доведе до повреда на предавката. <ul style="list-style-type: none"> ▶ По време на работа превключвателя за дясно/ляво въртене не трябва да бъде задействан. 	

6 Обслужване и поддръжка

ПРЕДУПРЕЖДЕНИЕ

Опасност от електрически удар! Обслужването и поддръжката с поставен мрежов щепсел могат да причинят тежки наранявания и изгаряния.

- ▶ Преди всяка дейност по обслужване и поддръжка винаги изваждайте мрежовия щепсел!

Обслужване

- Отстранявайте внимателно напластените замърсявания.
- Почиствайте внимателно вентилационните отвори със суха четка.
- Почиствайте корпуса само с леко навлажнена кърпа. Не използвайте препарати за почистване със силикон, тъй като те могат да увредят пластмасовите части.

Поддръжка

ПРЕДУПРЕЖДЕНИЕ

Опасност от електрически удар! Неправомерните ремонти по електрическата част могат да доведат до тежки наранявания и да причинят изгаряния.

- ▶ Ремонти по електрическата част могат да се извършват само от правоспособни електроспециалисти.
- Редовно проверявайте всички видими части за наличие на повреди, а елементите за управление - за изправно функциониране.
- Не работете с продукта при наличие на повреди и/или смущения във функциите. Незабавно предавайте уреда в сервиз на **Hilti** за ремонт.
- След извършване на дейности по обслужване и поддръжка монтирайте всички защитни устройства и проверете функциите.



За безопасна работа използвайте само оригинални резервни части и консумативи. Разрешените от нас резервни части, консумативи и принадлежности за Вашия продукт ще намерите във Вашия **Hilti Store** или на: www.hilti.group.

6.1 Подмяна на прахозащитна капачка

- ▶ Подменете прахозащитната капачка.

7 Транспорт и съхранение

- Не транспортирайте електроуреда с поставен инструмент.
- Съхранявайте електроуреда винаги с изваден мрежов щепсел.
- Съхранявайте уреда на сухо място, далеч от достъпа на деца и неоторизирани лица.



- След продължително транспортиране или съхранение преди употреба проверявайте електроуреда за повреди.

8 Помощ при наличие на смущения

При наличие на смущения, които не са посочени в таблицата или които Вие сами не можете да отстраните, моля, обърнете се към нашия сервиз на **Hilti**.

8.1 Помощ при наличие на смущения

Смущение	Възможна причина	Решение
Уредът не се включва.	Прекъснато електрозахранване.	▶ Включете друг електроуред и проверете дали функционира.
Няма удар.	Уредът е прекалено студен.	▶ Поставете ударно-пробивната машина на пода и я оставете да работи на празен ход. При нужда повторете действието, докато ударният механизъм сработи.
	Превключвателят за избор на функции е на позиция "Безударно пробиване" .	▶ Поставете превключвателя за избор на функции на позиция "Ударно пробиване" T.
Ударно-пробивната машина не работи на пълна мощност.	Командният ключ не е натиснат докрай.	▶ Натиснете командния ключ докрай до ограничителя.
	TE 2-S	▶ Поставете превключвателя за избор на функции на позиция "Ударно пробиване" T.
	Превключвателят за избор на функции е на позиция "Фино пробиване" T.	
	Удължителният кабел има твърде малко напречно сечение.	▶ Използвайте удължителен кабел с достатъчно напречно сечение.
Свердлото не може да се извади от фиксатора.	Патронникът не е издърпан докрай.	▶ Издърпайте блокировката на инструмента докрай до ограничителя и извадете инструмента.
Свердлото не пробива.	Уредът е включен в положение въртене наляво.	▶ Превключете уреда в положение въртене надясно.

9 Третиране на отпадъци

Уредите на са произведени в по-голямата си част от материали за многократна употреба. Предпоставка за многократното им използване е тяхното правилно разделяне. В много страни фирмата **Hilti** изкупува обратно Вашите употребявани уреди. Попитайте отдела на **Hilti** за обслужване на клиенти или Вашия търговски представител.



- ▶ Не изхвърляйте електроинструменти, електронни устройства и акумулатори в битовите отпадъци!

10 RoHS (Директива за ограничаване на употребата на опасни вещества)

Таблица с опасни вещества ще намерите на следния линк: qr.hilti.com/r3682, (TE 2), qr.hilti.com/r3684 (TE 2-M) и qr.hilti.com/r3683 (TE 2-S).

Линк към RoHS таблица ще намерите в края на настоящата документация като QR-код.



11 Garanția на производителя

- ▶ При въпроси относно гаранционните условия, моля, обърнете се към Вашия местен **Hilti** партньор.

Manual de utilizare original

1 Date referitoare la manual de utilizare

1.1 Referitor la acest manual de utilizare

- Citiți complet acest manual de utilizare înainte de punerea în funcțiune. Aceasta este condiția necesară pentru un lucru în siguranță și pentru o manevrare fără defecțiuni.
- Aveți în vedere indicațiile de securitate și de avertizare din acest manual de utilizare și de pe produs.
- Păstrați întotdeauna manualul de utilizare în preajma produsului și transmiteți produsul altor persoane numai împreună cu acest manual de utilizare.

1.2 Explicarea simbolurilor

1.2.1 Indicații de avertizare

Indicațiile de avertizare avertizează împotriva pericolelor care apar în lucrul cu produsul. Sunt utilizate următoarele cuvinte-semnal:

PERICOL

PERICOL !

- ▶ Pentru un pericol iminent și direct, care duce la vătămări corporale sau la accidente mortale.

ATENȚIONARE

ATENȚIONARE !

- ▶ Pentru un pericol iminent și posibil, care poate duce la vătămări corporale sau la accidente mortale.





AVERTISMENT

AVERTISMENT !

- ▶ Pentru o situație potențial periculoasă, care poate duce la vătămări corporale sau pagube materiale.



1.2.2 Simboluri în manualul de utilizare

În acest manual de utilizare sunt utilizate următoarele simboluri:

	Respectați manualul de utilizare
	Indicații de folosire și alte informații utile
	Lucrul cu materiale reutilizabile
	Nu aruncați aparatele electrice și acumulatorii în containerele de gunoi menajer

1.2.3 Simboluri în imagini

Următoarele simboluri sunt utilizate în imagini:

	Acest numere fac trimitere la figura respectivă de la începutul acestui manual de utilizare.
3	Numerotarea din imagini atrage atenția asupra etapelor de lucru importante sau asupra componentelor importante pentru etapele de lucru. Aceste etape de lucru sau componente sunt evidențiate în text cu numărul corespunzător, de ex. (3) .
	Numererele pozițiilor sunt utilizate în figura Vedere generală și fac trimitere la numerele din legendă în paragraful Vedere generală a produsului .





Acest semn are rolul de a stimula o atenție deosebită din partea dumneavoastră în lucrul cu produsul.

1.3 Simboluri în funcție de produs

1.3.1 Simboluri pe produs

Pe produs sunt utilizate următoarele simboluri:

	Găurire fără percuție
	Găurire cu percuție (perforare cu ciocanul)
	Găurire fără percuție în treapta 1
	Găurire fără percuție în treapta 2
	Percuție fină
	Rotația spre dreapta/stânga
n_0	Turația nominală de mers în gol
/min	Rotații pe minut
	Clasa de protecție II (cu izolație dublă)

1.4 Informații despre produs

Produsele **Hilti** sunt destinate utilizatorilor profesioniști, iar operarea cu acestea, întreținerea și repararea lor sunt activități permise numai personalului autorizat și instruit. Acest personal trebuie să fie instruit în mod special cu privire la potențialele pericole. Produsul și mijloacele sale auxiliare pot genera pericole dacă sunt utilizate necorespunzător sau folosite inadecvat destinației de către personal neinstruit.

Indicativul de model și numărul de serie sunt indicate pe plăcuța de identificare.

- ▶ Transcrieți numărul de serie în tabelul următor. Datele despre produs vă sunt necesare în cazul solicitărilor de informații la reprezentanța noastră sau la centrul de service.

Date despre produs

Mașină de perforat rotopercutantă	TE 2 TE 2-S TE 2-M
Generația	02
Număr de serie	

1.5 Declarație de conformitate

Declarăm pe propria răspundere că produsul descris aici este conform cu directivele și normele în vigoare. O imagine a declarației de conformitate găsiți la finalul acestei documentații.

Documentațiile tehnice sunt stocate aici:

Hilti Entwicklungsgesellschaft mbH | Zulassung Geräte | Hiltistraße 6 | 86916 Kaufering, DE

2 Securitate

2.1 Instrucțiuni de ordin general privind securitatea și protecția muncii pentru sculele electrice

⚠ ATENȚIONARE Consultați toate instrucțiunile de protecție a muncii, instrucțiunile de lucru, imaginile și datele tehnice cu care este prevăzută această sculă electrică. Neglijențele în respectarea următoarelor instrucțiuni pot provoca electrocutări, incendii și/ sau accidentări grave.

Păstrați toate instrucțiunile de protecție a muncii și instrucțiunile de lucru pentru consultare în viitor.

Termenul de „sculă electrică“ folosit în instrucțiunile de protecție a muncii se referă la sculele cu alimentare de la rețea (cu cablu de rețea) la sculele electrice cu alimentare de la acumulatori (fără cablu de rețea).



Securitatea în locul de muncă

- ▶ **Mențineți curățenia și un iluminat bun în zona de lucru.** Dezordinea sau iluminatul insuficient în zona de lucru pot constitui surse de accidente.
- ▶ **Nu lucrați cu scula electrică în medii cu pericol de explozie, în care sunt prezente lichide, gaze sau pulberi inflamabile.** Sculele electrice generează scântei care pot aprinde pulberile sau vaporii.
- ▶ **Nu permiteți accesul copiilor și al altor persoane în zona de lucru pe parcursul utilizării sculei electrice.** În cazul distragerii atenției, puteți pierde controlul asupra aparatului.

Securitatea electrică

- ▶ **Fișa de racord a sculei electrice trebuie să se potrivească cu priza de alimentare. Orice gen de modificare a fișei este interzis. Nu folosiți niciun tip de fișe adaptoare împreună cu scule electrice cu pământare de protecție.** Fișele nemodificate și prizele adecvate diminuează riscul de electrocutare.
- ▶ **Evitați contactul corpului cu suprafețele legate la pământ, cum ar fi țevile, sistemele de încălzire, plitele și frigiderere.** Există un risc major de electrocutare atunci când corpul se află în contact cu obiecte legate la pământ.
- ▶ **Feriți sculele electrice de influența ploii și umidității.** Pătrunderea apei în scula electrică crește riscul de electrocutare.
- ▶ **Nu utilizați cablul de legătură în scopuri pentru care nu este destinat, de exemplu pentru a transporta scula electrică, a suspenda scula electrică sau pentru a trage fișa din priza de alimentare. Feriți cablul de legătură de influențele căldurii, uleiului, muchiilor ascuțite sau componentelor aflate în mișcare.** Cablurile de legătură deteriorate sau înfășurate majorează riscul de electrocutare.
- ▶ **Dacă lucrați cu o sculă electrică în aer liber, utilizați numai cabluri prelungitoare care sunt adecvate și pentru folosirea în exterior.** Folosirea cablurilor prelungitoare adecvate lucrului în aer liber diminuează riscul de electrocutare.
- ▶ **Dacă punerea în exploatare a sculei electrice într-un mediu cu umiditate nu se poate evita, utilizați un întrerupător automat de protecție diferențial.** Utilizarea unui întrerupător automat de protecție diferențial diminuează riscul de electrocutare.

Securitatea persoanelor

- ▶ **Procedați cu atenție, concentrați-vă la ceea ce faceți și lucrați în mod rațional atunci când manevrați o sculă electrică. Nu folosiți nicio sculă electrică dacă sunteți obosit sau dacă vă aflați sub influența drogurilor, alcoolului sau medicamentelor.** Un moment de neatenție în folosirea sculei electrice poate duce la accidentări serioase.
- ▶ **Purtați echipament personal de protecție și, întotdeauna, ochelari de protecție.** Folosirea echipamentelor personale de protecție, ca de ex. masca anti-praf, încălțăminte antiderapantă, casca de protecție sau căștile antifonice, în funcție de tipul sculei electrice și de natura aplicației de lucru, duce la diminuarea riscului de accidentare.
- ▶ **Împiedicați pornirea involuntară a aparatului. Asigurați-vă că scula electrică este deconectată, înainte de a o racorda la alimentarea electrică și/ sau la acumulator, de a o lua din locul de lucru sau de a o transporta.** Situațiile în care transportați scula electrică ținând degetul pe întrerupător sau racordați aparatul în stare pornită la alimentarea electrică pot duce la accidente.
- ▶ **Înainte de a porni scula electrică, îndepărtați uneltele de reglaj sau cheile fixe.** Un accesoriu de lucru sau o cheie fixă, aflate într-o componentă rotativă a aparatului, pot provoca vătămări corporale.
- ▶ **Evitați o poziție anormală a corpului. Asigurați-vă o poziție stabilă și păstrați-vă întotdeauna echilibrul.** În acest fel, veți putea controla mai bine scula electrică în situații neașteptate.
- ▶ **Purtați îmbrăcăminte de lucru adecvată. Nu purtați haine largi sau bijuterii. Țineți părul, îmbrăcăminte și mănușile departe de componentele aflate în mișcare.** Îmbrăcăminte largă, bijuteriile sau părul lung pot fi prinse de piesele aflate în mișcare.
- ▶ **Dacă există posibilitatea montării unor accesorii de aspirare și captare a prafului, asigurați-vă că acestea sunt racordate și folosite corect.** Utilizarea unui sistem de aspirare a prafului poate diminua pericolul provocat de praf.
- ▶ **Nu vă bazați pe măsuri de securitate greșite și nu vă dispensați de reglementările de securitate pentru sculele electrice, chiar dacă sunteți familiarizat cu scula electrică după multiple folosiri ale acesteia.** Lucrul neatent poate duce în fracțiuni de secundă la accidentări grave.

Utilizarea și manevrarea sculei electrice

- ▶ **Nu suprasolicitați aparatul. Folosiți scula electrică special destinată lucrării dumneavoastră.** Cu scula electrică adecvată, lucrați mai bine și mai sigur în domeniul de putere specificat.
- ▶ **Nu folosiți nicio sculă electrică având întrerupătorul defect.** O sculă electrică ce nu mai permite pornirea sau oprirea sa este periculoasă și trebuie reparată.



- ▶ **Scoateți fișa din priză și/ sau înlăturați acumulatorul dacă este detașabil, înainte de executarea unor reglaje la aparat, înlocuirea accesoriilor sau depozitarea aparatului.** Această măsură de precauție reduce riscul unei porniri involuntare a sculei electrice.
- ▶ **Păstrați sculele electrice în locuri inaccesibile copiilor, atunci când nu le utilizați. Nu permiteți folosirea aparatului de către persoane care nu sunt familiarizate cu acesta sau care nu au citit instrucțiunile de față.** Sculele electrice sunt periculoase atunci când sunt folosite de persoane fără experiență.
- ▶ **Îngrijiți sculele electrice și accesoriile cu multă atenție. Controlați funcționarea impecabilă a componentelor mobile și verificați dacă acestea nu se blochează, dacă există piese sparte sau care prezintă deteriorări de natură să influențeze negativ funcționarea sculei electrice. Dispuneți repararea pieselor deteriorate înainte de punerea în exploatare a aparatului.** Multe accidente se produc din cauza întreținerii defectuoase a sculelor electrice.
- ▶ **Păstrați accesoriile așchietoare bine ascuțite și curate.** Accesoriile așchietoare întreținute atent, cu muchii așchietoare bine ascuțite se blochează mai greu și pot fi conduse mai ușor.
- ▶ **Utilizați scula electrică, accesoriile, dispozitivele de lucru etc. corespunzător acestor instrucțiuni. Țineți seama de condițiile de lucru și de activitatea care urmează a fi desfășurată.** Folosirea unor scule electrice destinate altor aplicații de lucru decât cele prevăzute poate conduce la situații periculoase.
- ▶ **Mențineți mânerul și suprafețele mânerelor în stare uscată, curată, fără ulei și unsoare.** Mânerul și suprafețele mânerelor nu permit utilizarea și controlul sculei electrice în siguranță în situații neprevăzute, dacă sunt alunecoase.

Service

- ▶ **Încredințați repararea sculei electrice a dumneavoastră numai personalului calificat de specialitate și numai în condițiile folosirii pieselor de schimb originale.** În acest fel, este garantată menținerea siguranței de exploatare a sculei electrice.

2.2 Instrucțiuni de protecție a muncii pentru ciocan

Instrucțiuni de protecție a muncii pentru toate lucrările

- ▶ **Purtați căști antifonice.** Efectele zgomotului pot conduce la pierderea auzului.
- ▶ **Folosiiți mânerul suplimentar livrat cu mașina.** Pierderea controlului poate duce la accidentări.
- ▶ **Țineți mașina de suprafețele izolate ale mânerelor, dacă executați lucrări în care dispozitivul de lucru poate întâlni conductori electrici ascunși sau propriul cablu de rețea.** Contactul cu un conductor parcurs de curent poate pune sub tensiune și piesele metalice ale mașinii și poate duce la electrocutări.

Instrucțiuni de protecție a muncii în cazul utilizării unui burghiu lung

- ▶ **Începeți întotdeauna procesul de găurire cu turație scăzută și cât timp burghiul are contact cu piesa care se prelucrează.** În cazul turațiilor mai ridicate, burghiul se poate îndoi ușor dacă este posibilă rotirea liberă a lui fără contact cu piesa care se prelucrează și apare posibilitatea de producere a unor accidentări.
- ▶ **Nu exercitați o presiune excesivă și apăsați numai pe direcție longitudinală pe burghiu.** Burghiele se pot îndoi și, ca urmare, se pot rupe sau apare posibilitatea de pierdere a controlului și de producere a unor accidentări.

2.3 Instrucțiuni suplimentare de protecție a muncii

Securitatea persoanelor

- ▶ **Nu sunt admise intervenții neautorizate sau modificări asupra mașinii.**
- ▶ **Mențineți mânerul în stare uscată, curată, fără ulei și unsoare.**
- ▶ **Asigurați-vă că mânerul lateral este montat și fixat corect.**
- ▶ **Faceți pauze de lucru, exerciții de destindere și exerciții ale degetelor, pentru a stimula circulația sângelui prin degete.**
- ▶ **Mașina nu este destinată persoanelor cu o constituție slabă și fără efectuarea unui instructaj.**
- ▶ **Nu permiteți accesul copiilor la mașină.**
- ▶ **Evitați atingerea pieselor rotative. Conectați mașina numai când sunteți în zona de lucru.** Atingerea pieselor rotative, în special a organelor de lucru rotative, poate provoca vătămări.
- ▶ **În cursul lucrului, duceți totdeauna cablul de rețea și cablul prelungitor în spatele mașinii.** Această operație diminuează pericolul de cădere și răsturnare în timpul lucrului, pericol provocat de prezența cablului.
- ▶ **Pulberea materialelor cum ar fi vopselele care conțin plumb, unele tipuri de lemn, betonul / zidăria / piatra care conține cuarț și minerale, precum și metale pot dăuna sănătății.** Atingerea sau inhalarea pulberii



poate provoca reacții alergice și/ sau afecțiuni ale căilor respiratorii ale utilizatorului sau ale persoanelor aflate în apropiere. Anumite categorii de pulbere cum ar fi praful din lemn de stejar sau de fag sunt considerate drept cancerigene, în special în combinație cu substanțele suplimentare pentru tratarea lemnului (cromați, substanțe de protecție a lemnului). Manevrarea materialului care conține azbest este permisă numai persoanelor cu pregătire de specialitate. **Utilizați în măsura posibilității un sistem de aspirare a prafului. Pentru a obține un grad ridicat de aspirare a prafului, utilizați un aparat mobil adecvat pentru desprăfuire. Dacă este cazul, purtați o mască de protecție a respirației, care să fie adecvată pentru praful respectiv. Asigurați o aerisire bună a locului de muncă. Respectați prescripțiile în vigoare în țara dumneavoastră pentru materialele care se prelucrează.**

- ▶ În caz de întrerupere a alimentării electrice, deconectați mașina și scoateți fișa din priză; dacă este cazul, deblocați opritorul comutatorului de comandă. Această operație împiedică punerea accidentală în funcțiune a mașinii la restabilirea alimentării electrice.
- ▶ La execuția lucrărilor de străpungere, asigurați zona de pe partea opusă lucrării . Fragmentele demolate pot cădea în afară și/ sau în jos și pot răni alte persoane.
- ▶ Aveți în vedere și prescripțiile naționale privind protecția muncii.

Securitatea electrică

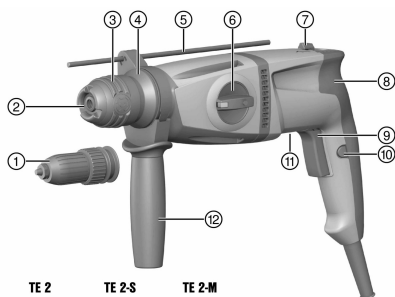
- ▶ Înainte de începerea lucrului, verificați dacă în zona de lucru există ascunși conductori electrici sau țevi de gaz și de apă, de ex. cu un detector de metale. Piese metalice aflate în contact exterior cu mașina se pot afla sub tensiune în cazul în care, spre exemplu, ați deteriorat din greșeală un conductor electric. Acest lucru reprezintă un pericol serios de electrocutare.
- ▶ Controlați cu regularitate cablul de legătură al mașinii; în cazul deteriorării acestuia, adresați-vă personalului de specialitate în vederea înlocuirii. În cazul în care cablul de legătură al sculei electrice este deteriorat, el trebuie să fie înlocuit cu un cablu de legătură construit special și avizat, disponibil prin organizația serviciilor pentru clienți. Controlați cu regularitate cablurile prelungitoare și schimbați-le dacă s-au deteriorat. Dacă, în timpul lucrului, cablul de rețea sau cablul prelungitor suferă deteriorări, atingerea acestora este interzisă. Scoateți fișa de rețea din priză. Cablurile de legătură și cablurile prelungitoare în stare deteriorată reprezintă un pericol major de electrocutare.

Securitatea personală

- ▶ Purtați mănuși de protecție. Mașina de perforat rotopercutantă se poate încălzi în timpul funcționării. La schimbarea accesoriilor de lucru, atingerea accesoriului de lucru poate duce la vătămări prin tăiere și arsuri.

3 Descriere

3.1 Vedere generală a produsului 1



- ① Mandrină cu trei fălci (TE 2-M)
- ② Căpăcel de protecție anti-praf
- ③ Mandrina
- ④ Închizător mandrină (TE 2-M)
- ⑤ Limitator de adâncime
- ⑥ Selector de funcții
- ⑦ Inversor pentru rotație dreapta/ stânga
- ⑧ Mâner
- ⑨ Comutator de comandă
- ⑩ Buton opritor
- ⑪ Plăcuța de identificare
- ⑫ Mâner lateral



3.2 Utilizarea conformă cu destinația

Produsul descris este o mașină de perforat rotopercutantă cu acționare electrică. El este destinat lucrărilor de găurire în beton, zidărie, gips-carton, lemn, material plastic și metal, precum și pentru introducerea prin rotație și desfacerea șuruburilor.

- ▶ Punerea în exploatare este permisă numai la tensiunea și frecvența rețelei, indicate pe plăcuța de identificare.



3.3 Setul de livrare

Mașină de perforat rotopercutantă, mâner lateral, limitator de adâncime, manual de utilizare.

Alte produse din sistem, avizate pentru produsul dumneavoastră, găsiți la centrul dumneavoastră **Hilti Store** sau online la: www.hilti.group | SUA: www.hilti.com

4 Date tehnice



Tensiunea nominală, curentul nominal, frecvența și/ sau puterea nominală consumată sunt prezentate pe plăcuța de identificare specifică țării.

La punerea în exploatare cu un generator sau transformator, puterea debitată a acestora trebuie să fie cel puțin dublă față de puterea nominală consumată indicată pe plăcuța de identificare a aparatului. Tensiunea de lucru a transformatorului sau a generatorului trebuie să fie situată în orice moment într-un interval de +5 % până la -15 % din tensiunea nominală a aparatului.

	TE 2	TE 2-S	TE 2-M
Greutate, conform EPTA-Procedure 01	2,7 kg	2,7 kg	2,9 kg
Domeniul de găurire în beton/ zid (burghiul percutor)	4 mm ... 22 mm	4 mm ... 22 mm	4 mm ... 22 mm
Domeniul de găurire în lemn (burghie cu secțiune plină)	1	4 mm ... 20 mm	4 mm ... 20 mm
	2	•/•	•/•
Domeniul de găurire în metal (găurire cu secțiune plină)	1	3 mm ... 13 mm	3 mm ... 13 mm
	2	•/•	•/•
Lungime maximă limitator de adâncime	180 mm	180 mm	180 mm

4.1 Datele privind zgomotul și valorile vibrațiilor conform EN 62841

Valorile presiunii acustice și ale vibrațiilor indicate în aceste instrucțiuni au fost măsurate corespunzător unui procedeu standardizat de măsură și pot fi utilizate pentru compararea reciprocă a sculelor electrice. Ele sunt adecvate și pentru o apreciere provizorie a valorilor de expunere.

Datele indicate se referă la aplicațiile principale de lucru ale sculei electrice. Firește că, dacă scula electrică este utilizată pentru alte aplicații de lucru cu dispozitive de lucru neprevăzute sau cu o întreținere insuficientă, datele pot să difere. Acest lucru poate ridica în mod considerabil valorile de expunere pe întreaga durată de lucru.

Pentru o apreciere exactă a valorilor de expunere, trebuie să se ia în calcul și timpii în care scula electrică este deconectată sau în care ea funcționează, dar nu execută efectiv nicio activitate. Acest lucru poate reduce în mod considerabil valorile de expunere pe întreaga durată de lucru.

Stabiliți măsuri de securitate suplimentare pentru protecția operatorului față de efectele sonore și ale vibrațiilor, ca de exemplu: întreținerea sculei electrice și a dispozitivelor de lucru, menținerea mâinilor în stare caldă, organizarea proceselor de lucru.

Date privind zgomotul

Nivelul puterii acustice (L_{WA})	102,1 dB(A)
Insecuritatea pentru nivelul puterii acustice (K_{WA})	3 dB(A)
Nivelul presiunii acustice emise (L_{pA})	91,1 dB(A)
Insecuritatea pentru nivelul presiunii acustice (K_{pA})	3 dB(A)

Informații referitoare la vibrații

Valoarea emisiei vibrațiilor pentru mașina de perforat rotopercutantă în beton ($a_{h, HD}$)	12,1 m/s^2
Valoarea emisiei vibrațiilor pentru găurire în metal ($a_{h, D}$)	2,8 m/s^2
Insecuritatea pentru valoarea menționată referitoare la vibrații (K)	1,5 m/s^2



5 Modul de utilizare

<p>Montarea mânerului lateral</p> <p> AVERTISMENT</p> <p>Pericol de accidentare! Pericol de împiedicare a utilizatorului cauzat de limitatorul de adâncime montat, însă nefolosit.</p> <ul style="list-style-type: none"> ▶ Înlăturați limitatorul de adâncime de la mașină. <hr/> <p> AVERTISMENT</p> <p>Pericol de accidentare! Pierdere a controlului asupra produsului.</p> <ul style="list-style-type: none"> ▶ Asigurați-vă că mânerul lateral este montat și fixat corect. Asigurați-vă că banda de întindere este așezată în canelura special prevăzută a produsului. 	2
<p>TE 2-M</p>	3
<p>Montarea/demontarea mandrinei</p>	
<p>Introducerea/extragerea accesoriului de lucru: mandrină SDS</p> <p> Utilizarea unei unsoari inadecvate poate cauza deteriorări la produs. Utilizați numai unsoare originală de la Hilti.</p>	4
<p>TE 2-M</p>	5
<p>Introducerea/extragerea accesoriului de lucru: Mandrină cu strângere rapidă</p>	
<p>Reglarea limitatorului de adâncime</p> <p> Respectați întotdeauna lungimea maximă a limitatorului de adâncime.</p>	6
<p>Găurire cu percuție (perforare cu ciocanul) </p>	7
<p>TE 2-S</p>	7
<p>Percuție fină </p>	
<p>TE 2 TE 2-S</p>	7
<p>Găurirea </p>	
<p>TE 2-M</p>	7
<p>Găurire pe prima treaptă de viteză sau găurire pe a doua treaptă de viteză </p>	
<p>Rotația spre dreapta/stânga</p>	8
<p> ATENȚIE</p> <p>Pericol de deteriorare Acționarea pe parcursul funcționării poate duce la deteriorarea transmisiei.</p> <ul style="list-style-type: none"> ▶ Acționarea inversorului pentru rotație dreapta/ stânga nu este permisă pe parcursul exploatării. 	

6 Îngrijirea și întreținerea

ATENȚIONARE

Pericol de electrocutare! Îngrijirea și întreținerea cu fișa de rețea introdusă pot produce accidentări grave și arsuri.

- ▶ Înaintea tuturor activităților de îngrijire și lucrărilor de întreținere, scoateți întotdeauna fișa de rețea!

Îngrijirea

- Îndepărtați cu precauție murdăria aderentă.
- Curățați fantele de aerisire cu multă atenție, folosind o perie uscată.
- carcasa numai cu o cârpă ușor umezită. Nu utilizați produse de îngrijire care conțin silicon, deoarece acestea pot ataca piesele din plastic.



Întreținerea

ATENȚIONARE

Pericol de electrocutare! Reparațiile executate impropriu la componentele electrice pot duce la accidentări grave și la arsuri.

- ▶ Efectuarea de reparații la părțile electrice este permisă numai electricienilor autorizați.
- Verificați regulat la toate piesele vizibile dacă există deteriorări și funcționare impecabilă a elementelor de comandă.
- În caz de deteriorări și/ sau disfuncționalități, nu puneți produsul în exploatare. Dispuneți imediat repararea la centrul de service **Hilti**.
- După lucrările de îngrijire și întreținere atașați toate dispozitivele de protecție și verificați funcționarea.



Pentru o exploatare sigură utilizați numai piese de schimb și materiale consumabile originale. Piese de schimb, materiale consumabile și accesorii avizate de noi pentru produs găsiți la centrul dumneavoastră **Hilti Store** sau la: www.hilti.group.

6.1 Schimbarea căpăcelului de protecție anti-praf

- ▶ Schimbați căpăcelul de protecție anti-praf.

7 Transportul și depozitarea

- Nu transportați aparatul electric cu accesoriul de lucru introdus.
- Depozitați întotdeauna aparatul electric cu fișa de rețea scoasă.
- Depozitați aparatul în spații uscate și inaccesibile pentru copii și persoane neautorizate.
- După un transport sau o depozitare mai îndelungată, controlați înainte de folosire dacă aparatul electric prezintă deteriorări.

8 Asistență în caz de avarii

În cazul avariilor care nu sunt prezentate în acest tabel sau pe care nu le puteți remedia prin mijloace proprii, vă rugăm să vă adresați centrul nostru de service **Hilti**.

8.1 Asistență în caz de avarii

Avarie	Cauza posibilă	Soluție
Mașina nu pornește.	Alimentarea electrică întreruptă.	▶ Introduceți un alt aparat electric și verificați funcționarea.
Lipsa percuției.	Mașina prea rece.	▶ Așezați mașina de perforat rotopercutantă pe materialul de bază și lăsați-o să ruleze în regim de mers în gol. Dacă este necesar repetați, până când mecanismul de percuție funcționează.
	Selectorul de funcții pe "Găurire fără percuție" .	▶ Fixați selectorul de funcții pe poziția "Găurire cu percuție" .
Mașina de perforat rotopercutantă nu debitează puterea maximă.	Comutatorul de comandă nu este apăsat complet.	▶ Apăsați complet comutatorul de comandă până la opritor.
	Selectorul de funcții pe "Percuție fină" .	▶ Fixați selectorul de funcții pe poziția "Găurire cu percuție" .
	Cablul prelungitor are secțiunea prea scăzută.	▶ Utilizați un cablu prelungitor cu secțiune suficientă.
Burghiul nu se poate desprinde din închizător.	Mandrina nu este retractată complet.	▶ Trageți înapoi închizătorul mandrinei până la opritor și extrageți accesoriul de lucru.



Avarie	Cauza posibilă	Soluție
Burghiul nu aşchiază.	Maşina fixată pe rotație spre stânga.	► Comutați maşina pe rotație spre dreapta.

9 Dezafectarea și evacuarea ca deșeuri

Maşinile **Hilti** sunt fabricate într-o proporție mare din materiale reutilizabile. Condiția necesară pentru reciclare este separarea corectă a materialelor. În multe țări, **Hilti** preia maşinile dumneavoastră vechi pentru revalorificare. Solicitați relații la centrul pentru clienți **Hilti** sau la consilierul dumneavoastră de vânzări.



- Nu aruncați sculele electrice, aparatele electronice și acumulatorii în containerele de gunoi menajer!

10 RoHS (directiva privind limitarea utilizării substanțelor periculoase)

Prin link-ul următor ajungeți la tabelul substanțelor periculoase: qr.hilti.com/r3682, (TE 2), qr.hilti.com/r3684 (TE 2-M) și qr.hilti.com/r3683 (TE 2-S).

Un link referitor la tabelul RoHS găsiți la finalul acestei documentații sub formă de cod QR.

11 Garanția producătorului

- Pentru relații suplimentare referitoare la condițiile de garanție legală, vă rugăm să vă adresați partenerului dumneavoastră local **Hilti**.

Orijinal kullanım kılavuzu

1 Kullanım kılavuzu bilgileri

1.1 Bu kullanım kılavuzu hakkında

- Aleti çalıştırmadan önce bu kullanım kılavuzunu mutlaka okuyunuz. Bu, güvenli çalışma ve arızasız kullanım için ön koşuldur.
- Bu kullanım kılavuzunda ve ürün üzerinde bulunan emniyet ve uyarı bilgilerine dikkat ediniz.
- Kullanım kılavuzunu her zaman ürün üzerinde bulundurunuz ve ürünü sadece bu kullanım kılavuzu ile birlikte başka kişilere veriniz.

1.2 Resim açıklaması

1.2.1 Uyarı bilgileri

Uyarı bilgileri, ürün ile çalışırken ortaya çıkabilecek tehlikelere karşı uyarır. Aşağıdaki uyarı metinleri kullanılır:



TEHLİKE

TEHLİKE !

- Ağır vücut yaralanmalarına veya doğrudan ölüme sebep olabilecek tehlikeler için.



İKAZ

İKAZ !

- Ağır yaralanmalara veya ölüme neden olabilecek tehlikeler için.



DİKKAT

DİKKAT !

- Vücut yaralanmalarına veya maddi hasarlara yol açabilecek olası tehlikeli durumlar için.

1.2.2 Kullanım kılavuzundaki semboller

Bu kullanım kılavuzunda aşağıdaki semboller kullanılmıştır:



2059548

Türkçe

67

	Kullanım kılavuzuna dikkat edilmelidir
	Kullanım uyarıları ve diğer gerekli bilgiler
	Geri dönüşümlü malzemeler ile çalışma
	Elektrikli aletleri ve aküleri evdeki çöplere atmayınız

1.2.3 Çizimlerdeki semboller

Çizimlerde aşağıdaki semboller kullanılmıştır:

	Bu sayılar, kullanım kılavuzunun başlangıcındaki ilgili çizime atanmıştır.
3	Çizimlerdeki numaralandırma, önemli çalışma adımlarını veya çalışma adımları için önemli olan yapı parçalarını gösterir. Metinde, bu çalışma adımları veya yapı parçasına karşılık gelen sayılarla vurgulanmıştır, örn. (3).
	Pozisyon numaraları Genel bakış çiziminde kullanılır ve Ürüne genel bakış bölümündeki açıklama numaralarına referans niteliğindedir.
	Bu işaret, ürün ile çalışırken dikkatinizi çekmek için koyulmuştur.

1.3 Ürün ile ilgili semboller

1.3.1 Üründeki semboller

Üründe aşağıdaki semboller kullanılmıştır:

	Darbesiz delme
	Darbe ile delme (darbeli delme)
	Darbesiz delme 1. vites
	Darbesiz delme 2. vites
	Hafif darbe
	Sağa/Sola doğru çalışma
n_0	Ölçüm rölanti devir sayısı
/min	Dakika başına devir
	Koruma sınıfı II (çift izolasyonlu)

1.4 Ürün bilgileri

Hilti ürünleri profesyonel kullanıcıların kullanımı için öngörülmüştür ve sadece yetkili personel tarafından kullanılabilir ve bakımı yapılabilir. Bu personel, meydana gelebilecek tehlikeler hakkında özel olarak eğitim görmüş olmalıdır. Aletin ve ilgili yardımcı gereçlerin eğitimsiz personel tarafından usulüne uygun olmayan şekilde kullanılması ve amaçları dışında çalıştırılması sonucu tehlikeli durumlar söz konusu olabilir.

Tip tanımı ve seri numarası, tip plakası üzerinde belirtilmiştir.

- Seri numarasını aşağıdaki tabloya aktarınız. Ürün bilgileri acente veya servis merkezini aradığınızda sorulabilir.

Ürün bilgileri

Kıncı-delici	TE 2 TE 2-S TE 2-M
Nesil	02
Seri no.	



1.5 Uygunluk beyanı

Burada tanımlanan ürünün, geçerli yönetmeliklere ve normlara uygun olduğunu kendi sorumluluğumuzda beyan ederiz. Bu dokümantasyonun sonunda uygunluk beyanının bir kopyasını bulabilirsiniz.

Teknik dokümantasyonlar eklidir:

Hilti Entwicklungsgesellschaft mbH | Zulassung Geräte | Hiltistraße 6 | 86916 Kaufering, DE

2 Güvenlik

2.1 Elektrikli el aletleri için genel güvenlik uyarıları

⚠ İKAZ Bu elektrikli el aletine yönelik tüm güvenlik uyarılarını, talimatları, resimli açıklamaları ve teknik verileri dikkatlice okuyunuz. Aşağıdaki talimatlara uyulmaması durumunda elektrik çarpması, yangın ve/veya ağır yaralanmalar söz konusu olabilir.

Tüm güvenlik uyarılarını ve kullanım talimatlarını muhafaza ediniz.

Güvenlik uyarılarında kullanılan "Elektrikli el aleti terimi, şebeke işletimli elektrikli el aletleri (şebeke kablosu ile) veya akü işletimli elektrikli el aletleri (şebeke kablosu olmadan) ile ilgilidir.

İş yeri güvenliği

- ▶ **Çalışma alanınızı temiz ve aydınlık tutunuz.** Düzensiz veya aydınlatma olmayan çalışma alanları kazalara yol açabilir.
- ▶ **Yanıcı sıvıların, gazların veya tozların bulunduğu patlama tehlikesi olan yerlerde elektrikli el aleti ile çalışmayınız.** Elektrikli el aletleri, toz veya buharı yakabilecek kıvılcım oluşturur.
- ▶ **Elektrikli el aletini kullanırken çocukları ve diğer kişileri uzak tutunuz.** Dikkatiniz dağılırsa aletin kontrolünü kaybedebilirsiniz.

Elektrik güvenliği

- ▶ **Elektrikli el aletinin bağlantı fişi prize uygun olmalıdır. Fiş hiçbir şekilde değiştirilmemelidir. Adaptör fişini topraklama korumalı elektrikli el aletleri ile birlikte kullanmayınız.** Değiştirilmemiş fişler ve uygun prizler elektrik çarpması riskini azaltır.
- ▶ **Borular, radyatörler, fırınlar ve buzdolapları gibi toprağa temas eden üst yüzeylere vücudunuzla temas etmekten kaçınınız.** Vücudunuzun toprakla teması var ise yüksek bir elektrik çarpması riski söz konusudur.
- ▶ **Elektrikli el aletini yağmurdan veya ıslaklıktan uzak tutunuz.** Elektrikli el aletine su girmesi, elektrik çarpması riskini artırır.
- ▶ **Elektrikli el aletini taşımak, asmak veya fişi prizden çekmek için bağlantı kablosunu kullanım amacı dışında kullanmayınız. Bağlantı kablosunu sıcağın, yağdan, keskin kenarlardan ve hareketli parçalardan uzak tutunuz.** Hasarlı veya dolanmış bağlantı kabloları elektrik çarpması riskini artırır.
- ▶ **Elektrikli bir el aleti ile açık alanda çalışacaksanız, sadece dışarıda kullanımına izin verilen uzatma kabloları kullanınız.** Dış mekanlar için uygun olan uzatma kablolarının kullanılması elektrik çarpması riskini azaltır.
- ▶ **Elektrikli el aleti işletiminin nemli ortamda yapılması kaçınılmaz ise bir kaçak akım koruma şalteri kullanınız.** Bir kaçak akım koruma şalterinin kullanımı elektrik çarpması riskini azaltır.

Kişilerin güvenliği

- ▶ **Dikkatli olunuz, ne yaptığınıza dikkat ediniz ve elektrikli el aleti ile mantıklı bir şekilde çalışınız. Yorgunsanız veya uyuşturucu, alkol veya ilaç etkisi altında olduğunuzda elektrikli el aleti kullanmayınız.** Elektrikli el aletini kullanırken bir anlık dikkatsizlik ciddi yaralanmalara neden olabilir.
- ▶ **Kişisel koruyucu donanım ve her zaman bir koruyucu gözlük takınız.** Elektrikli el aletinin türüne ve kullanımına göre toz maskesi, kaymayan güvenlik ayakkabısı, koruyucu kask veya kulaklık gibi kişisel koruyucu donanımların kullanılması yaralanma riskini azaltır.
- ▶ **İstem dışı çalışmayı önleyiniz. Güç kaynağına ve/veya aküyü bağlamadan, girişini yapmadan veya taşımadan önce elektrikli el aletinin kapalı olduğundan emin olunuz.** Elektrikli el aletini taşıırken parmağınız şalterde ise veye alet açık konumda güç kaynağına takılırsa bu durum kazalara yol açabilir.
- ▶ **Elektrikli el aletini devreye almadan önce ayar aletlerini veya vidalama anahtarlarını çıkartınız.** Dönen bir alet parçasında bulunan bir alet veya anahtar yaralanmalara yol açabilir.
- ▶ **Aşırı bir vücut hareketinden sakınınız. Güvenli bir duruş sağlayınız ve her zaman dengeli tutunuz.** Böylece beklenmedik durumlarda elektrikli el aletini daha iyi kontrol edebilirsiniz.
- ▶ **Uygun kıyafetler giyiniz. Bol kıyafetler giymeyiniz veya takı takmayınız. Saçları, kıyafetleri ve eldivenleri hareket eden parçalardan uzak tutunuz.** Bol kıyafetler, takı veya uzun saçlar hareket eden parçalara takılabilir.
- ▶ **Toz emme ve tutma tertibatları monte edilebiliyorsa bunların bağlı olduğundan ve doğru kullanıldığından emin olunuz.** Bu toz emme tertibatının kullanımını tozdan kaynaklanabilecek tehlikeleri azaltabilir.



- ▶ **Kendi güvenliğinizi riske atmayınız ve elektrikli el aletleri kullanımında son derece tecrübeli olsanız bile ilgili güvenlik kurallarını ihlal etmeyiniz.** Dikkatsiz kullanım saniyeler içerisinde ciddi yaralanmalara neden olabilir.

Elektrikli el aletinin kullanımı ve çalıştırılması

- ▶ **Aleti çok fazla zorlamayın. Çalışmanız için uygun olan elektrikli el aletini kullanın.** Uygun elektrikli el aleti ile bildirilen hizmet alanında daha iyi ve güvenli çalışırsınız.
- ▶ **Şalteri bozuk olan elektrikli el aletini kullanmayınız.** Açılıp kapatılmayan bir elektrikli el aleti tehlikelidir ve tamir edilmesi gerekir.
- ▶ **Alet ayarlarını yapmadan, aksesuar parçalarını değiştirmeden veya aleti bir yere koymadan önce fişi prizden ve/veya (çıkarılabilir) aküyü aletten çıkarınız.** Bu önlem, elektrikli el aletinin istem dışı çalışmasını engeller.
- ▶ **Kullanılmayan elektrikli el aletlerini çocukların erişemeyeceği yerde muhafaza edin. Aleti iyi tanımayan veya bu talimatları okumamış kişilere aleti kullandırmayınız.** Elektrikli el aletleri bilgisiz kişiler tarafından kullanılırsa tehlikelidir.
- ▶ **Elektrikli el aletlerinin ve aksesuarlarının bakımını titizlikle yapınız. Hareketli parçaların kusursuz çalıştığı ve sıkışmadığı, parçaların kırılıp kırılmadığı veya hasar görüp görmediği, elektrikli el aleti fonksiyonlarının kısıtlanma durumlarını kontrol ediniz. Hasarlı parçaları aleti kullanmadan önce tamir ettiriniz.** Birçok kazanın nedeni bakım kötü yapılan elektrikli el aletleridir.
- ▶ **Kesme aletlerini keskin ve temiz tutun.** Özenle bakımı yapılmış keskin bıçak kenarı olan kesme aletleri daha az sıkışır ve kullanımı daha rahattır.
- ▶ **Elektrikli el aletini, aksesuarları, ek aletleri vb. bu talimatlara göre kullanın. Çalışma şartlarını ve yapılacak işi de ayrıca göz önünde bulundurun.** Elektrikli el aletlerinin öngörülen kullanımı dışında kullanılması tehlikeli durumlara yol açabilir.
- ▶ **Tutamağı ve tutamak yüzeylerini daima temiz ve yağ ve gresten arındırılmış durumda tutunuz.** Kaygan tutamaklar ve tutamak yüzeyleri güvenli bir kullanımı ve öngörülemez durumlarda elektrikli el aletinin kontrolünü engeller.

Servis

- ▶ **Elektrikli el aletinizi sadece kalifiye uzman personele ve sadece orijinal yedek parçalar ile tamir ettiriniz.** Böylece elektrikli el aletinin güvenliğinin korunduğundan emin olunur.

2.2 Kırıcı-delici için güvenlik uyarıları

Tüm çalışmalara yönelik güvenlik uyarıları

- ▶ **Kulaklık takınız.** Aşırı sestten dolayı duyma kaybı meydana gelebilir.
- ▶ **Aletle birlikte verilen ek tutamakları kullanınız.** Kontrol kaybı yaralanmalara yol açabilir.
- ▶ **Kullandığınız aletin gizli elektrik hatlarına veya kendi şebeke kablosuna isabet edebileceği çalışmalar yapıyorsanız aleti sadece izolasyonlu tutamaklardan tutunuz.** Elektrik ileten bir hat ile temasta metal parçalar da gerilim altında kalır ve elektrik çarpmasına neden olabilir.

Uzun matkap ucu kullanımına yönelik güvenlik uyarıları

- ▶ **Delme işlemine her zaman düşük devir sayısı ile başlayınız ve matkap ucunun iş parçasına temas etmesini bekleyiniz.** Bunun üzerindeki devir sayılarında matkap ucu hafifçe bükülerek iş parçasına temas etmeden serbestçe dönebilir ve yaralanmalara neden olabilir.
- ▶ **Aşırı baskı uygulamayınız ve sadece matkap ucuna göre uzunlaşmasına yönde baskı uygulayınız.** Matkap ucu bükülebilir, bu nedenle kırılabilir veya kontrolün kaybedilmesine ve yaralanmalara neden olabilir.

2.3 Ek güvenlik uyarıları

Kişilerin güvenliği

- ▶ **Alette onarımlara veya değişikliklere izin verilmez.**
- ▶ **Tutamakları kuru, temiz ve yağsız ve gressiz bir şekilde tutunuz.**
- ▶ **Yan tutamağın doğru monte edildiğinden ve usulüne uygun şekilde sabitlendiğinden emin olunuz.**
- ▶ **Parmaklarınızdaki kan dolaşımının iyi olması için çalışma molaları veriniz ve gevşetme ve parmak egzersizleri yapınız.**
- ▶ **Bu alet gözetim altında olmayan yetersiz güçteki kişiler için uygun değildir.**
- ▶ **Aleti çocuklardan uzak tutunuz.**
- ▶ **Dönen parçalara temas etmekten kaçınınız. Aleti çalışma alanında çalıştırmaya başlayınız.** Dönen parçalara, özellikle dönen aletlere temas etmek yaralanmalara yol açabilir.
- ▶ **Çalışma esnasında şebeke ve uzatma kablosunu her zaman aletin arka tarafında bırakınız.** Bu, çalışma esnasında kabloya takılıp düşme tehlikesini azaltır.



- Kurşun içeren boyalar gibi malzemelerin tozu, bazı ahşap türleri, kuartz içeren beton / duvar / taşlar, mineraller ve metaller sağlığa zarar verebilir. Tozlara dokunulması veya tozların solunması, kullanıcıda veya yakınında bulunan kişilerde alerjik reaksiyonlara ve/veya solunum yolu hastalıklarına yol açabilir. Kayın veya meşe ağacı gibi belli tür tozlar özellikle ahşap işlemede ek maddelerle (kromat, ahşap koruyucu malzemeler) bağlantılı çalışıldığında kanser yapıcı olarak kabul edilir. Asbest içerikli malzemeler sadece uzman kişiler tarafından işlenmelidir. **Mümkünse bir toz emme tertibatı kullanınız. Daha yüksek bir toz emme derecesine ulaşmak için uygun bir portatif toz emme tertibatı kullanılmalıdır. Gerekliyse ilgili toza uygun bir solunum koruma maskesi takılmalıdır. Çalışma yerinin iyi havalandırılmasını sağlayınız. İşlenecek malzemeler için ülkenizde geçerli olan talimatlara dikkat ediniz.**
- **Elektrik kesintisinde aleti kapatınız ve şebeke fişini çekiniz, gerekirse kumanda şalterinin ünitesini çözünüz.** Böylece elektrik geri geldiği zaman aletin istem dışı çalışması engellenir.
- **Kırma çalışmalarında, çalışılacak yerin karşı tarafında bulunan bölgeyi emniyete alınız.** Kırılan parçalar dışarı ve / veya yere düşebilir ve diğer kişilerin yaralanmasına sebep olabilir.
- **Ulusal iş güvenliği taleplerini de dikkate alınız.**

Elektrik güvenliği

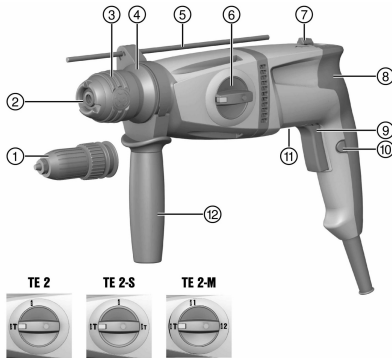
- **Çalışmaya başlamadan önce çalışma alanında üzerleri kaplanmış olan elektrik hatları, gaz ve su borularını örn. bir metal dedektörü ile kontrol ediniz.** Yanlışlıkla bir akım hattına zarar vermeniz durumunda, aletin dışarıda yer alan metal parçaları gerilim yüklü hale gelebilir. Bu durumda ciddi bir elektrik çarpması tehlikesi söz konusudur.
- **Aletin bağlantı hatlarını düzenli olarak kontrol ediniz ve hasar durumunda bunları yetkili bir uzmana değiştiriniz.** Elektrikli el aletinin bağlantı hattı hasar gördüğünde, bu hat müşteri hizmetleri organizasyonundan elde edebileceğiniz özel üretilmiş ve yasal olarak kullanım iznine sahip bir bağlantı hattı ile değiştirilmelidir. Uzatma hatlarını düzenli olarak kontrol ediniz ve hasar görmüş ise değiştiriniz. Çalışma esnasında şebeke veya uzatma kablosu hasar görürse, bu kabloya dokunmamalısınız. Şebeke fişi prizden çekilmelidir. Hasarlı bağlantı ve uzatma kabloları elektrik çarpması nedeniyle tehlike oluşturur.

Kişisel güvenlik

- **Koruyucu eldiven takınız.** Kırıcı-delici çalışma sırasında ısınabilir. Alet değişimi sırasında alete temas edilmesi durumunda kesilme ve yanma gibi yaralanmalar meydana gelebilir.

3 Tanımlama

3.1 Ürüne genel bakış



- 1 Üç çeneli ayna (TE 2-M)
- 2 Tozdan koruma kapağı
- 3 Alet bağlantı yeri
- 4 Alet bağlantı yeri kilidi (TE 2-M)
- 5 Derinlik mesnedi
- 6 Fonksiyon seçme şalteri
- 7 Sağa/Sola dönüş değiştirme şalteri
- 8 Tutamak
- 9 Kumanda şalteri
- 10 Kilitleme düğmesi
- 11 Tip plakası
- 12 Yan tutamak

3.2 Usulüne uygun kullanım

Tarif edilen ürün elektrik tahrikli bir kırıcı-delicidir. Beton, duvar, kartonpiyer, ahşap, plastik ve metal yüzeylerdeki delme ve vidaları takma ve sökme işleri için uygundur.

- Çalışma sadece tip plakasında verilen şebeke gerilimi ve frekansta gerçekleştirilmelidir.

3.3 Teslimat kapsamı

Kırıcı - delici, yan tutamak, derinlik mesnedi, kullanım kılavuzu.



4 Teknik veriler



Nominal gerilim, nominal akım, frekans ve/veya nominal akım tüketimi değerlerini ülkenize özgü tip plakasında bulabilirsiniz.

Jeneratörlü veya transformatörlü bir işletim durumunda çıkış gücü, aletin tip plakasında belirtilen nominal akım tüketiminin en az iki katı büyüklüğünde olmalıdır. Transformatörün veya jeneratörün çalışma gerilimi her zaman alet nominal geriliminin % +5'i ile % -15'i arasında olmalıdır.

	TE 2	TE 2-S	TE 2-M
01 EPTA Prosedürü'ne göre ağırlık	2,7 kg	2,7 kg	2,9 kg
Beton/duvarda delme çapı (darbeli delici)	4 mm ... 22 mm	4 mm ... 22 mm	4 mm ... 22 mm
Ahşapta delme çapı (tam delici)	1	4 mm ... 20 mm	4 mm ... 20 mm
	2	•/•	•/•
Metalde delme çapı (tam delici)	1	3 mm ... 13 mm	3 mm ... 13 mm
	2	•/•	•/•
Derinlik mesnedi maksimum uzunluğu	180 mm	180 mm	180 mm

4.1 EN 62841 uyarınca ses bilgisi ve titreşim değerleri

Bu talimatlarda belirtilen ses basıncı ve titreşim değerleri, ilgili normlara uygun bir ölçüm metodu ile ölçülmüştür ve elektrikli el aletlerinin birbirleri ile karşılaştırılması için kullanılabilir. Zorlanmaların geçici olarak değerlendirilmesine de uygundur.

Belirtilen değerler, elektrikli el aletinin ana kullanım alanlarını temsil eder. Elektrikli el aletinin, farklı ek aletlerle veya yetersiz bakım yapılmış şekilde kullanılması durumunda, veriler sapma gösterebilir. Bu durum, toplam çalışma süresi boyunca zorlanmayı belirgin şekilde yükseltebilir.

Doğru bir zorlanma değerlendirmesi için elektrikli el aletinin kapatıldığı veya çalışır konumda olduğu ve ayrıca kullanımda olmadığı zamanlar da dikkate alınmalıdır. Bu durum, toplam çalışma süresi boyunca zorlanmayı belirgin şekilde azaltabilir.

Kullanıcıyı ses ve/veya titreşimin etkilerinden koruyacak ek güvenlik önlemleri belirleyiniz, örneğin: Elektrikli el aletinin ve ek aletlerin bakımının yapılması, ellerin sıcak tutulması, iş akışlarının düzenlenmesi.

Ses bilgisi

Ses gücü seviyesi (L_{WA})	102,1 dB(A)
Emniyetsizlik ses gücü seviyesi (K_{WA})	3 dB(A)
Emisyon ses basıncı seviyesi (L_{pA})	91,1 dB(A)
Emniyetsizlik ses basıncı seviyesi (K_{pA})	3 dB(A)

Vibrasyon bilgileri

Beton için kırıcı-delicilere yönelik titreşim emisyon değeri ($a_{n,HD}$)	12,1 m/sn ²
Metalde delme için titreşim emisyon değeri ($a_{n,D}$)	2,8 m/sn ²
Belirlenen vibrasyon değerleri için emniyetsizlik (K)	1,5 m/sn ²



5 Kullanım

<p>Yan tutamak montajı</p> <p>⚠ DİKKAT</p> <p>Yaralanma tehlikesi! Monte edilen ama kullanılmayan derinlik mesnedi nedeniyle kullanıcıyı engelleme tehlikesi.</p> <p>► Derinlik mesnedini aletten çekip çıkarınız.</p> <hr/> <p>⚠ DİKKAT</p> <p>Yaralanma tehlikesi! Ürün kontrolünün kaybedilmesi.</p> <p>► Yan tutamağın doğru monte edildiğinden ve usulüne uygun şekilde sabitlendiğinden emin olunuz. Germe bandının ürünün öngörülen kanalında olduğundan emin olunuz.</p>	2
<p>TE 2-M</p> <p>Alet bağlantı yerinin takılması/sökülmesi</p>	3
<p>Aletin yerleştirilmesi/çıkartılması: SDS alet bağlantı yeri</p> <p>i Uygun olmayan bir gres kullanılması, üründe hasarlara neden olabilir. Sadece Hiltimarka orijinal gres kullanınız.</p>	4
<p>TE 2-M</p> <p>Aletin yerleştirilmesi/çıkartılması: Anahtarsız mandren</p>	5
<p>Derinlik mesnedi ayarı</p> <p>i Derinlik mesnedinin maksimum uzunluğuna her zaman dikkat ediniz.</p>	6
<p>Darbe ile delme (darbeli delme) $\frac{1}{2}$T</p>	7
<p>TE 2-S</p> <p>Hafif darbe $\frac{1}{2}$T</p>	7
<p>TE 2 TE 2-S</p> <p>Delme $\frac{1}{2}$</p>	7
<p>TE 2-M</p> <p>İlk kademede delme $\frac{1}{2}$1 veya ikinci kademede delme $\frac{1}{2}$2</p>	7
<p>Sağa/Sola doğru çalışma</p> <p>⚠ DİKKAT</p> <p>Hasar tehlikesi! İşletim sırasında basılması durumunda dişliler hasar görebilir.</p> <p>► Sağa/sola dönüş değiştirme şalterine işletim esnasında basılmamalıdır.</p>	8

6 Bakım ve onarım

<p>⚠ İKAZ</p> <p>Elektrik çarpması tehlikesi! Şebeke fişi takılıyken yapılan bakım ve onarım çalışmaları ciddi yaralanmalara ve yanıklara neden olabilir.</p> <p>► Tüm bakım ve onarım çalışmalarından önce her zaman şebeke fişi çekilmelidir!</p>

Bakım

- Yapışmış olan kir dikkatlice çıkarılmalıdır.
- Havalandırma deliklerini kuru bir fırça ile dikkatlice temizleyiniz.
- Gövde sadece hafif nemli bir bezle temizlenmelidir. Plastik parçalara yapışabileceğinden silikon içerikli bakım maddeleri kullanılmamalıdır.



Bakım**İKAZ**

Elektrik çarpması tehlikesi! Elektrikli parçalarda usulüne uygun olmayan onarımlar ciddi yaralanmalara ve yanıklara neden olabilir.

- ▶ Elektrik parçalarındaki onarımlar sadece elektronik uzmanı tarafından yapılabilir.
- Görünür tüm parçalarda hasar olup olmadığı ve kumanda elemanlarının sorunsuz şekilde çalıştığı kontrol edilmelidir.
- Hasar ve/veya fonksiyon arızaları durumunda ürün çalıştırılmamalıdır. Derhal **Hilti** servisi tarafından onarılmalıdır.
- Bakım ve onarım çalışmalarından sonra tüm koruma tertibatları yerleştirilmeli ve fonksiyonları kontrol edilmelidir.



Güvenli çalışma için sadece orijinal yedek parçalar ve sarf malzemeleri kullanınız. Tarafımızdan onaylanmış, yedek parçaları, aksesuarları ve sarf malzemelerini **Hilti Store** veya şu adreste bulabilirsiniz: www.hilti.group.

6.1 Tozdan koruma kapağının değiştirilmesi

- ▶ Tozdan koruma kapağını değiştiriniz.

7 Taşıma ve depolama

- Elektrikli cihazı takımlar takılı iken taşımayınız.
- Elektrikli cihazı daima şebeke fişi çekili olarak saklayınız.
- Aleti çocukların ve yetkisiz kişilerin erişemeyeceği ve kuru yerlerde saklayınız.
- Uzun süren nakliye veya depolama sonrası kullanmadan önce elektrikli aletin hasar görmüş olup olmadığını kontrol ediniz.

8 Arıza durumunda yardım

Bu tabloda listelenmemiş veya kendi başınıza gideremediğiniz arızalarda lütfen yetkili **Hilti** servisimiz ile irtibat kurunuz.


8.1 Arıza durumunda yardım

Arıza	Olası sebepler	Çözüm
Alet çalışmıyor.	Güç kaynağı kesildi.	▶ Başka bir elektrikli alet takınız ve çalışıp çalışmadığını kontrol ediniz.
Darbe yok.	Alet çok soğuk.	▶ Kırıcı - deliciyi zemine yerleştiriniz ve rölantide çalıştırınız. Darbe mekanizması çalışıncaya kadar gerektiği kadar tekrarlayınız.
	Fonksiyon seçme şalteri "Darbesiz delme" konumunda	▶ Fonksiyon seçme şalterini "Darbeli delme" konumuna getiriniz
Kırıcı-delici tam güce sahip değil.	Kumanda şalteri tam basılı değil.	▶ Kumanda şalterine dayanak noktasına kadar bastırın.
	TE 2-S	▶ Fonksiyon seçme şalterini "Darbeli delme" konumuna getiriniz
	Fonksiyon seçme şalteri "Hafif darbe" konumunda.	▶ Yeterli kesitli uzatma kablosu kullanınız.
Uzatma kablosunun kesiti çok düşük.	▶ Yeterli kesitli uzatma kablosu kullanınız.	▶ Yeterli kesitli uzatma kablosu kullanınız.
Matkap ucu kilidi açılmıyor.	Alet bağlantı yeri tam olarak geri çekilmemiş.	▶ Alet kilidini dayanak noktasına kadar geri çekiniz ve aleti çıkartınız.



Arıza	Olası sebepler	Çözüm
Matkap ucu yerinden çıkıyor.	Alet sola doğru çalışma konumunda.	► Aleti sağa doğru çalışma konumuna getiriniz.

9 İmha

 **Hilti** aletleri yüksek oranda geri dönüşümlü malzemelerden üretilmiştir. Geri dönüşüm için gerekli koşul, usulüne uygun malzeme ayırımıdır. Çoğu ülkede **Hilti**, eski aletlerini yeniden değerlendirmek üzere geri alır. Bu konuda **Hilti** müşteri hizmetlerinden veya satış temsilcinizden bilgi alabilirsiniz.



- Elektrikli el aletlerini, elektronik cihazları ve aküleri evdeki çöplere atmayınız!

10 RoHS (Tehlikeli madde kullanımını kısıtlama direktifi)

Aşağıdaki linkte tehlikeli maddeler tablosunu bulabilirsiniz: qr.hilti.com/r3682, (TE 2), qr.hilti.com/r3684 (TE 2-M) ve qr.hilti.com/r3683 (TE 2-S).

RoHS tablosunun linkini bu dokümanın sonunda karekod olarak bulabilirsiniz.

11 Üretici garantisi

- Garanti koşullarına ilişkin sorularınız için lütfen yerel **Hilti** iş ortağınıza başvurunuz.



1 بيانات بخصوص دليل الاستعمال

1.1 خاص بدليل الاستعمال هذا

- اقرأ دليل الاستعمال قبل التشغيل. يعتبر هذا شرطا للعمل بشكل آمن والاستخدام بدون اختلالات.
- احرص على مراعاة إرشادات الأمان والإرشادات التحذيرية الواردة دليل الاستعمال هذا والمدونة على المنتج.
- احتفظ بدليل الاستعمال دائما مع هذا المنتج، ولا تعطي المنتج لأشخاص آخرين إلا مع إرفاق دليل الاستعمال هذا معه.

2.1 شرع العلامات

1.2.1 إرشادات تحذيرية

تنبه الإرشادات التحذيرية إلى الأخطار الناشئة عند التعامل مع الجهاز. يتم استخدام الكلمات الدلالية التالية:



خطر!

- ◀ تشير لخطر مباشر يؤدي لإصابات جسدية خطيرة أو إلى الوفاة.



تحذير!

- ◀ تشير لخطر محتمل قد يؤدي لإصابات جسدية خطيرة أو إلى الوفاة.



احترس!

- ◀ تشير لموقف خطر محتمل يمكن أن يؤدي لإصابات جسدية أو أضرار مادية.

2.2.1 الرموز في دليل الاستعمال

يتم استخدام الرموز التالية في دليل الاستعمال هذا:

يُراعى دليل الاستعمال	
إرشادات الاستخدام ومعلومات أخرى مفيدة.	
التعامل مع مواد قابلة لإعادة التدوير	
لا تتخلص من الأجهزة الكهربائية البطاريات ضمن القمامة المنزلية	

3.2.1 الرموز في الصور

تستخدم الرموز التالية في الرسوم التوضيحية:

2	تشير هذه الأعداد إلى الصورة المعنية في بداية دليل الاستعمال هذا.
3	تشير الأرقام في الصور إلى خطوات العمل المهمة أو إلى الأجزاء المهمة لخطوات العمل. يتم إبراز هذه الخطوات أو الأجزاء في النص من خلال الأرقام، على سبيل المثال (3).
11	يتم استخدام أرقام المواضع في صورة العرض العام وهي تشير إلى أرقام تعليق الصورة في فصل عرض عام للمنتج.
!	هذه العلامة من شأنها أن تُثير انتباهك جيدا عند التعامل مع المنتج.



3.1 الرموز المرتبطة بالمنتج

1.3.1 الرموز على المنتج

يتم استخدام الرموز التالية على المنتج:

	الثقب بدون طرق
	الثقب بالطرق (الثقب المطرقي)
	الثقب بدون طرق في السرعة الأولى
	الثقب بدون طرق في السرعة الثانية
	الطرق الدقيق
	الدوران جهة اليمين/اليسار
n_0	عدد اللفات الاسمي في الوضع المحايد
/min	عدد اللفات في الدقيقة
	فئة الحماية II (عزل مزدوج)

4.1 معلومات المنتج

منتجات Hilti مصممة للمستخدمين المحترفين ويقتصر استعمالها وصيانتها وإصلاحها على الأشخاص المعتمدين والمدربين جيدا. هؤلاء الأشخاص يجب أن يكونوا قد تلقوا تدريباً خاصاً على الأخطار الطارئة. قد يتسبب المنتج وأدواته المساعدة في حدوث أضرار إذا تم التعامل معها بشكل غير سليم فنياً من قبل أشخاص غير مدربين أو تم استخدامها بشكل غير مطابق للتعليمات.

يوجد مسمى الطراز والرقم المسلسل على لوحة الصنع.
 ◀ انقل الرقم المسلسل في الجدول التالي. ستحتاج إلى بيانات المنتج في حالة الاستفسارات الموجهة إلى ممثلينا أو مركز الخدمة.

بيانات المنتج

TE 2 TE 2-S TE 2-M	المثقاب المطرقي
02	الجيل
	الرقم المسلسل

5.1 بيان المطابقة

نقر على مسؤوليتنا الفردية بأن المنتج المشروح هنا متوافق مع التشريعات والمواصفات المعمول بها. تجد صورة لبيان المطابقة في نهاية هذا المستند.

المستندات الفنية محفوظة هنا:

Hilti Entwicklungsgesellschaft mbH | Zulassung Geräte | Hiltistraße 6 | 86916 Kaufering, DE

2 السلامة

1.2 إرشادات السلامة العامة المتعلقة بالأدوات الكهربائية

⚠ تحذير احرص على قراءة جميع إرشادات السلامة، التوجيهات، الصور التوضيحية والمواصفات الفنية المرفقة مع هذه الأداة الكهربائية. أي تقصير أو إهمال في الالتزام بالتعليمات التالية قد يتسبب في حدوث صعق كهربائي، نشوب حريق و/أو وقوع إصابات خطيرة.

احتفظ بجميع مستندات إرشادات السلامة والتعليمات لاستخدامها عند الحاجة إليها فيما بعد.

يقصد بمصطلح «الأداة الكهربائية» المذكور في إرشادات السلامة الأدوات الكهربائية المشغلة بالكهرباء، (باستخدام كابل الكهرباء) أو الأدوات الكهربائية المشغلة بالبطاريات (بدون كابل الكهرباء).

سلامة مكان العمل

◀ حافظ على نطاق عملك نظيفاً ومضاءً بشكل جيد. الفوضى أو أماكن العمل غير المضاءة يمكن أن تؤدي لوقوع حوادث.



- ◀ لا تعمل بالأداة الكهربائية في محيط معرض لخطر الانفجار يتواجد به سوائل أو غازات أو أنواع غبار قابلة للاشتعال. الأدوات الكهربائية تولد شررا يمكن أن يؤدي لإشعال الغبار والأبفرة.
- ◀ احرص على إبعاد الأطفال والأشخاص الآخرين أثناء استخدام الأداة الكهربائية. في حالة انصراف انتباهك قد تفقد السيطرة على الجهاز.

السلامة الكهربائية

- ◀ يجب أن يكون قابس توصيل الأداة الكهربائية متلائما مع المقبس. لا يجوز تعديل القابس بأي حال من الأحوال. لا تستخدم قوايس مهايأة مع أدوات كهربائية ذات وصلة أرضي محمية. القوايس غير المعدلة والمقابس الملائمة تقلل من خطر حدوث صدمة كهربائية.
- ◀ تجنب حدوث تلامس للجسم مع أسطح مؤرضة مثل الأسطح الخاصة بالمواسير وأجهزة التدفئة والمواقد والثلاجات. ينشأ خطر متزايد من حدوث صدمة كهربائية عندما يكون جسمك متصلا بالأرض.
- ◀ أبعد الأدوات الكهربائية عن الأمطار أو البلل. تسرب الماء إلى داخل الأداة الكهربائية يزيد من خطر حدوث صدمة كهربائية.
- ◀ لا تستخدم كابل التوصيل لحمل الأداة الكهربائية أو تعليقها أو لسحب القابس من المقبس. احتفظ بكابل التوصيل بعيدا عن السخونة والزيوت والمواف الحادة والأجزاء المتحركة. كابلات التوصيل التالفة أو المتشابكة تزيد من خطر حدوث صعق كهربائي.
- ◀ عندما تعمل بأداة كهربائية في مكان مكشوف، فلا تستخدم سوى كابلات الإطالة المناسبة للعمل في النطاق الخارجي. استخدام كابل إطالة مناسب للعمل في النطاق الخارجي يقلل من خطر حدوث صعق كهربائي.
- ◀ إذا تعذر تجنب تشغيل الأداة الكهربائية في محيط رطب، فاستخدم مفتاح حماية من تسرب التيار. استخدام مفتاح الحماية من تسرب التيار يقلل خطر حدوث صدمة كهربائية.

سلامة الأشخاص

- ◀ كن يقظا وانتبه لما تفعل وتعامل مع الأداة الكهربائية بتعقل عند العمل بها. لا تستخدم الأداة الكهربائية عندما تكون متعبا أو تحت تأثير المخدرات أو الكحوليات أو العقاقير. فقد يتسبب عدم الانتباه للحظة واحدة أثناء الاستخدام في حدوث إصابات بالغة.
- ◀ ارتد تجهيزات وقاية شخصية وارتد دائما نظارة واقية. ارتداء تجهيزات وقاية شخصية، مثل قناع الوقاية من الغبار وأحذية الأمان المضادة للانزلاق وخوذة الوقاية أو واقى السمع، تبعا لنوع واستخدام الأداة الكهربائية، يقلل من خطر الإصابات.
- ◀ تجنب التشغيل بشكل غير مقصود. تأكد أن الأداة الكهربائية مطفأة قبل توصيلها بالكهرباء و/أو بالبطارية وقبل رفعها أو حملها. إذا كان إصبعك على المفتاح عند حمل الأداة الكهربائية أو كان الجهاز في وضع التشغيل عند التوصيل بالكهرباء، فقد يؤدي ذلك لوقوع حوادث.
- ◀ أبعد أدوات الضبط أو مفاتيح ربط البراغي قبل تشغيل الأداة الكهربائية. الأداة أو المفتاح المتواجد في جزء دوار من الجهاز يمكن أن يؤدي لحدوث إصابات.
- ◀ تجنب اتخاذ وضع غير طبيعي للجسم. احرص على أن تكون واقفا بأمان وحافظ على توازنك في جميع الأوقات. من خلال ذلك تستطيع السيطرة على الأداة الكهربائية بشكل أفضل في المواقف المفاجئة.
- ◀ ارتد ملابس مناسبة. لا ترتد ملابس فضفاضة أو حلي. احرص على أن يكون الشعر والملابس والقفازات بعيدة عن الأجزاء المتحركة. الملابس الفضفاضة أو الحلي أو الشعر الطويل يمكن أن تشبكت في الأجزاء المتحركة.
- ◀ إذا أمكن تركيب تجهيزات شفت وتجميع الغبار، فتأكد أنها موصلة ومستخدمة بشكل سليم. استخدام تجهيزة شفت الغبار يمكن أن يقلل الأخطار الناتجة عن الغبار.
- ◀ لا تعتقد بأنك في مأمن عن الخطر ولا تتجاهل تشريعات السلامة المعنية للأدوات الكهربائية، حتى وإن كنت على دراية بالأداة الكهربائية بعد تكرار استخدامها. التعامل مع الجهاز بدون حذر قد يؤدي إلى وقوع إصابات بالغة في جزء من الثانية.

استخدام الأداة الكهربائية والتعامل معها

- ◀ لا تفرط في التحميل على الجهاز. استخدم الأداة الكهربائية المناسبة للعمل الذي تقوم به. استخدام الأداة الكهربائية المناسبة يتبع لك العمل بشكل أفضل وأكثر أمانا في نطاق العمل المقرر.
- ◀ لا تستخدم أداة كهربائية ذات مفتاح تالف. الأداة الكهربائية التي لم يعد يمكن تشغيلها أو إطفائها تمثل خطورة ويجب إصلاحها.
- ◀ اسحب القابس من المقبس و/أو اخلع البطارية القابلة للخلع من الجهاز قبل إجراء عمليات الضبط، أو استبدال أجزاء الملحقات أو عند ترك الجهاز. هذا الإجراء الوقائي يمنع بدء تشغيل الأداة الكهربائية دون قصد.



- ◀ احتفظ بالأدوات الكهربائية غير المستخدمة بعيدا عن متناول الأطفال. لا تسمح باستخدام الجهاز من قبل أشخاص ليسوا على دراية به أو لم يقرءوا هذه التعليمات. الأدوات الكهربائية خطيرة في حالة استخدامها من قبل أشخاص ليست لديهم الخبرة الواجبة.
- ◀ اعتني جيدا بالأدوات الكهربائية والملحقات. افحص الأجزاء المتحركة من حيث أدائها لوظيفتها بدون مشاكل وعدم انحصارها وافحصها من حيث وجود أجزاء مكسورة أو متعرضة للضرر يمكن أن تؤثر سلبا على وظيفة الأداة الكهربائية. اعمل على إصلاح الأجزاء التالفة قبل استخدام الجهاز. الكثير من الحوادث مصدرها الأدوات الكهربائية التي تم صيانتها بشكل رديء.
- ◀ حافظ على أدوات القطع حادة ونظيفة. تتميز أدوات القطع ذات حواف القطع المادة المعتنى بها بدقة بأنها أقل عرضة للتعثر وأسهل في التعامل.
- ◀ استخدم الأداة الكهربائية والملحقات وأدوات العمل وخلافه طبقا لهذه التعليمات. احرص في هذه الأثناء على مراعاة اشتراطات العمل والمهمة المراد تنفيذها. استخدام الأدوات الكهربائية في تطبيقات غير تلك المقررة لها يمكن أن يؤدي لمواقف خطيرة.
- ◀ حافظ على المقابض ومواقع المسك في حالة جافة ونظيفة وخالية من الزيت والشحم. المقابض ومواقع المسك الانزلاقية تحول دون استعمال الأداة الكهربائية والتحكم بها بشكل آمن في المواقف غير المتوقعة.

الخدمة

- ◀ اعمل على إصلاح أدواتك الكهربائية على أيدي فنيين معتمدين فقط والاقصرار على استخدام قطع الغيار الأصلية. وبذلك تتأكد أن سلامة الأداة الكهربائية تظل قائمة.

2.2 إرشادات السلامة الخاصة بالمطابق

إرشادات السلامة لجميع الأعمال

- ◀ استخدم واقيا للسمع. لذا يرجى مراعاة أن الضجيج الصاخب يمكن أن يُفقدك القدرة على السمع.
- ◀ استخدم المقابض الإضافية الموردة مع الجهاز. فقدان السيطرة يمكن أن يؤدي لوقوع إصابات.
- ◀ أمسك الجهاز من مواضع المسك المعزولة عند إجراء أعمال يحتمل فيها أن تتلامس أداة الشغل مع أسلاك كهربائية مخفية أو مع سلك الكهرباء للجهاز ذاته. حيث أن ملامسة سلك يسري فيه التيار الكهربائي يمكن أن ينقل الجهد الكهربائي للأجزاء المعدنية بالجهاز ويؤدي لحدوث صدمة كهربائية.

إرشادات السلامة في حالة استخدام ريشة ثقب طويلة

- ◀ ابدأ عملية الثقب دائما بعدد لفات منخفض وعندما تكون ريشة الثقب ملامسة لقطعة الشغل. عند العمل بعدد لفات أعلى يمكن أن تنتهي ريشة الثقب بسهولة، إذا دارت دون تلامس مع قطعة الشغل، وتؤدي إلى وقوع إصابات.
- ◀ اضغط على ريشة الثقب بدون إفراط وفي اتجاه طولي فقط. فقد تتعرض ريشة الثقب للثثناء والانكسار من جراء ذلك، أو من الممكن أن تفقد السيطرة عليها وتتسبب في وقوع إصابات.

3.2 إرشادات إضافية للسلامة

سلامة الأشخاص

- ◀ لا يسمح بإجراء أية تدخلات أو تغييرات على الجهاز.
- ◀ حافظ على المقابض جافة ونظيفة وخالية من الزيت والشحم.
- ◀ تأكد أن المقبض الجانبى مركب ومثبت بشكل سليم.
- ◀ خذ قسطا من الراحة أثناء العمل واحرص على عمل تمارين استرخاء وتمارين للأصابع لغرض سريان الدم في الأصابع بشكل أفضل.
- ◀ الجهاز غير مخصص للاستخدام من قبل الأشخاص ذوي البنية الضعيفة دون تدريبهم.
- ◀ احفظ الجهاز بعيدا عن متناول الأطفال.
- ◀ تجنب ملامسة الأجزاء الدوارة. لا تقم بتشغيل الجهاز إلا في نطاق العمل. ملامسة الأجزاء الدوارة، وخصوصا الأدوات الدوارة، يمكن أن يؤدي لحدوث إصابات.
- ◀ عند العمل قم بإبعاد كابلات الكهرباء وكابلات الإطالة دائما خلف الجهاز. وهذا من شأنه تقليل خطر السقوط أثناء العمل بسبب الكابل.
- ◀ الغبار الناتج عن خامات مثل الطلاء المحتوي على الرصاص وبعض أنواع الأخشاب والفرسانة/الجران والصور المحتوية على الكوارتز والمعادن الصخرية والمعادن هو غبار ضار بالصحة. ملامسته أو استنشاقه قد يسبب أعراض حساسية و/أو أمراض الجهاز التنفسي للمستخدم أو للأشخاص المتواجدين على مقربة منه. هناك أنواع معينة مسرطنة من الغبار مثل غبار خشب البلوط أو غبار خشب الزان، ولا سيما إذا ارتبطت



هذه الأنواع بمواد إضافية لمعالجة الأخشاب (مثل الكروم و مواد حماية الأخشاب). لا يجوز التعامل مع المواد المحتوية على الأسستوس إلا من قبل فنيين متخصصين. استخدم شفاط الغبار حيثما أمكن. للحصول على درجة شفط عالية للغبار، استخدم شفاط الغبار المحمول المناسب. احرص عند اللزوم على ارتداء قناع تنفس مخصص لنوعية الغبار المنبعث. احرص على توفير توية جيدة لمكان العمل. احرص على مراعاة التعليمات السارية في بلدك بخصوص المواد المراد التعامل معها.

- ◀ في حالة انقطاع التيار أوقف الجهاز واسحب القابس الكهربائي من المقبس، وإذا استلزم الأمر قم بحل مثبت مفتاح التحكم. ومن شأن هذا أن يمنع التشغيل غير المقصود للجهاز عند عودة الجهد الكهربائي.
- ◀ أثناء أعمال الثقب قم بتأمين النطاق الواقع على الجهة المقابلة للعمل. الشطايا المتناثرة يمكن أن تتطاير أو تسقط وتصيب الآخرين.
- ◀ تراعى أيضا قوانين حماية العمال المحلية.

السلامة الكهربائية

- ◀ قبل بدء الأعمال افحص نطاق العمل من حيث وجود توصيلات كهرباء مغطاة أو مواسير للغاز والماء، مئلا باستخدام جهاز للكشف عن المعادن. الأجزاء المعدنية الخارجية بالجهاز يمكن أن يسري فيها الجهد الكهربائي، وذلك إذا قمت سبوا بإتلاف إحدى توصيلات التيار على سبيل المثال. ويمثل هذا خطرا شديدا في حالة حدوث صدمة كهربائية.
- ◀ افحص أسلاك توصيل الجهاز بشكل منتظم، وفي حالة تلفها اعمل على تغييرها بمعرفة فنيين معتمدين. في حالة تعرض سلك توصيل الأداة الكهربائية للتلف يجب استبداله بسلك التوصيل المخصص والمسموح به لهذا الغرض والذي يجب الحصول عليه من خلال خدمة العملاء. افحص توصيلات الإطالة بشكل منتظم واستبدلها عندما تتلف. في حالة تلف كابل الكهرباء أو كابل الإطالة أثناء العمل، فلا يجوز لمس الكابل. اسحب القابس الكهربائي من المقبس. أسلاك التوصيل وتوصيلات الإطالة التالفة تمثل خطرا من خلال حدوث صدمة كهربائية.

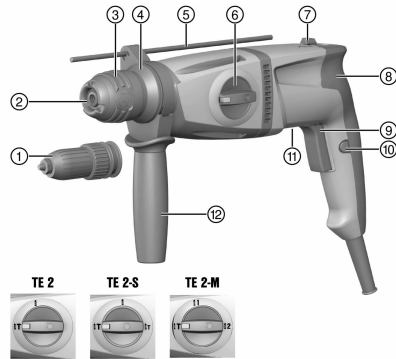
السلامة الشخصية

- ◀ ارتد قفازا واقيا. يمكن أن يسخن المثقاب المطرقي أثناء التشغيل. عند تغيير الأدوات قد تؤدي ملامسة الأداة إلى التعرض لإصابات بجروح قطعية وحروق.

3 الشرح

1.3 نظرة عامة على المنتج

- ① طرف ثلاثي الفكوك (TE 2-M)
- ② غطاء الحماية من الغبار
- ③ طرف تركيب الأدوات
- ④ قفل طرف تركيب الأدوات (TE 2-M)
- ⑤ محدد عمق الثقب
- ⑥ مفتاح اختيار الوظيفة
- ⑦ مفتاح تحويل الدوران جهة اليمين/اليسار
- ⑧ المقبض
- ⑨ مفتاح التحكم
- ⑩ زر التثبيت
- ⑪ لوحة الصنع
- ⑫ مقبض جانبي



2.3 الاستخدام المطابق للتعليمات

المنتج المشروح عبارة عن مثقاب مطرقي مشغل بالكهرباء. وهو مخصص لأعمال الثقب في الخرسانة والجدران والملاط الجصي والخشب والبلاستيك والمعادن، بالإضافة إلى ربط وفك البراغي. يجب ألا يتم التشغيل إلا بالتردد والجهد الكهربائي المذكورين على لوحة الصنع.

3.3 مجموعة التجهيزات الموردة

المثقاب المطرقي، المقبض الجانبي، محدد العمق، دليل استعمال.

تجد المزيد من منتجات النظام المسموح بها لمنتجك لدى متجر **Hilti Store** أو على موقع الإنترنت: www.hilti.com | الولايات المتحدة الأمريكية: www.hilti.com



يرجى التعرف على الجهد الاسمي والتيار الاسمي والتردد و/أو الاستهلاك الاسمي من لوحة صنع الجهاز الخاصة بالبلد المعني.

في حالة التشغيل من مولد أو محمول، فإنه يجب ألا تقل قدرة الخرج الخاصة به عن ضعف قدرة الدخل الاسمية الواردة على لوحة صنع الجهاز. جهد تشغيل المحمول أو المولد يجب أن يكون دائما في نطاق +5% و 15% من الجهد الكهربائي الاسمي للجهاز.

TE 2-M	الطرز 2-S	طرز 2	الوزن طبقا لبروتوكول EPTA 01
2.9 كجم	2.7 كجم	2.7 كجم	
4 مم ... 22 مم	4 مم ... 22 مم	4 مم ... 22 مم	نطاق الثقب في الخرسانة/الجران (المثقاب المطرق)
10 مم ... 20 مم	4 مم ... 20 مم	4 مم ... 20 مم	1
4 مم ... 10 مم	*/*	*/*	2
8 مم ... 13 مم	3 مم ... 13 مم	3 مم ... 13 مم	1
3 مم ... 8 مم	*/*	*/*	2
180 مم	180 مم	180 مم	أقصى طول لمحدد العمق

1.4 قيم الضوضاء والاهتزاز طبقا للمواصفة EN 62841

تم قياس ضغط الصوت وقيم الاهتزاز الواردة في هذا الدليل طبقا لأحد معايير القياس المحددة ويمكن الاستعانة بها في إجراء مقارنة بين الأدوات الكهربائية مع بعضها البعض. وهي مناسبة أيضا لتقدير حجم المخاطر بصورة أولية.

المواصفات الواردة تتعلق بالاستخدامات الأساسية للأداة الكهربائية. أما إذا تم استخدام الأداة الكهربائية في تطبيقات أخرى مع أدوات شغل مخالفة للمواصفات أو دون صيانة كافية، ففي هذه الحالة قد تختلف المواصفات. وقد يزيد هذا من نسبة المخاطر طوال مدة العمل بصورة واضحة. وللحصول على تقدير دقيق لحجم المخاطر ينبغي أيضا مراعاة الأوقات التي يتم فيها إيقاف الجهاز أو التي يتم فيها تشغيل الجهاز ولكن دون استخدام حقيقي. وقد يقلل هذا من نسبة المخاطر طوال مدة العمل بصورة واضحة. احرص على اتخاذ إجراءات إضافية للسلامة من شأنها حماية المستخدم من تأثير الضجيج و/أو الاهتزازات مثل: صيانة الأداة الكهربائية وأدوات الشغل والمحافظ على الأيدي في حالة دافئة وتنظيم مراحل العمل.

معلومات الضجيج

102.1 ديسيبل (A)	مستوى شدة الصوت (L_{WA})
3 ديسيبل (A)	نسبة التفاوت لمستوى شدة الصوت (K_{WA})
91.1 ديسيبل (A)	مستوى ضغط الصوت المنبعث (L_{pA})
3 ديسيبل (A)	نسبة التفاوت لمستوى ضغط الصوت (K_{pA})

معلومات الاهتزاز

12.1 م/ثانية ²	قيم الاهتزازات المنبعثة من المثقاب المطرقي في الخرسانة ($a_{h, HD}$)
2.8 م/ثانية ²	قيمة الاهتزاز المنبعث للثقب في المعدن ($a_{h, D}$)
1.5 م/ثانية ²	نسبة التفاوت بالنسبة لقيم الاهتزاز المذكورة (K)



2	<p>تركيب المقبض الجانبي</p> <p>⚠ احترس:</p> <p>خطر الإصابة! خطر إعاقة المستخدم من جراء ممدد العمق المركب مع أنه غير مستخدم.</p> <p>◀ اخلع ممدد العمق من الجهاز.</p> <hr/> <p>⚠ احترس:</p> <p>خطر الإصابة! فقدان السيطرة على المنتج.</p> <p>◀ تأكد أن المقبض الجانبي مركب ومثبت بشكل سليم. تأكد من تواجد شريط الشد في الحز المخصص له بالمنتج.</p>
3	TE 2-M
	تركيب/ فك طرف تركيب الأدوات
4	<p>تركيب/خلع الأداة: طرف تركيب الأدوات SDS</p> <p>قد يؤدي استخدام شحم غير مناسب إلى تعرض المنتج للضرر. اقتصر على استخدام الشحم الأصلي من Hilti.</p> <p>i</p>
5	TE 2-M
	تركيب/خلع الأداة: طرف سريع الربط
6	<p>ضبط ممدد العمق</p> <p>يراعى دائما أقصى طول لممدد العمق.</p> <p>i</p>
7	الثقب بالدق (الثقب المطرقي) ⚡
7	TE 2-S
	الطرق الدقيق ⚡
7	TE 2 TE 2-S
	الثقب ⚡
7	TE 2-M
	الثقب بالسرعة الأولى 1 أو الثقب بالسرعة الثانية 2
8	<p>الدوران جهة اليمين/اليسار</p> <p>⚠ تنبيه</p> <p>خطر حدوث أضرار الضغط أثناء التشغيل قد يتسبب في حدوث أضرار بمجموعة التروس.</p> <p>◀ يجب عدم الضغط على مفتاح تحويل الدوران جهة اليمين/اليسار أثناء التشغيل.</p>

6 العناية والصيانة

⚠ تحذير	<p>خطر بسبب حدوث صدمة كهربائية إجراء أعمال العناية والصيانة بينما القابس الكهربائي مركب قد يتسبب في إصابات بالغة والإصابة بحروق.</p> <p>◀ احرص على سحب القابس الكهربائي قبل جميع أعمال الإصلاح والعناية!</p>
----------------	---

العناية

- قم بإزالة الاتساخ الملتصق برص.
- قم بتنظيف فتحات التهوية برص باستخدام فرشاة جافة.
- نظف جسم الجهاز باستخدام قطعة قماش مبللة بعض الشيء. لا تستخدم مواد عناية تحتوي على السيليكون لما قد تتسبب فيه من الإضرار بالأجزاء البلاستيكية.



خطر الصعق الكهربائي! قد تؤدي أعمال الصيانة التي تتم على الأجزاء الكهربائية بشكل غير سليم إلى حدوث إصابات خطيرة وإصابة بحروق.

لا يجوز إجراء إصلاحات على الأجزاء الكهربائية إلا من خلال متخصصين في الكهرباء.

- افحص جميع الأجزاء المرئية من حيث وجود أضرار وافحص عناصر الاستعمال من حيث كفاءتها الوظيفية.
- في حالة وجود أضرار و/أو اختلالات وظيفية لا تقم بتشغيل المنتج. احرص على الفور على إصلاحه لدى مركز خدمة Hilti.
- بعد أعمال العناية والإصلاح قم بتركيب جميع تجهيزات الحماية وافحصها من حيث الأداء الوظيفي.

للتشغيل الآمن اقتصر على استخدام قطع الغيار الأصلية وخامات الشغل. تجد قطع الغيار وخامات الشغل والملحقات المصراع بها من قبلنا للمنتج الخاص بك في متجر **Hilti Store** أو على موقع الإنترنت: www.hilti.group.

1.6 تغيير غطاء الحماية من الغبار

- قم بتغيير غطاء الحماية من الغبار.

7 النقل والتخزين

- لا تنقل الجهاز الكهربائي بينما الأداة مدخلة فيه.
- عند تخزين الجهاز الكهربائي احرص دائما على سحب القابس الكهربائي.
- احرص على جفاف الجهاز والاحتفاظ به بعيدا عن متناول الأطفال والأشخاص غير المصرح لهم عند تخزينه.
- بعد النقل لمسافة طويلة أو التخزين افحص الجهاز الكهربائي من حيث وجود أضرار.


8 المساعدة في حالات الاختلالات


عند حدوث اختلالات غير مذكورة في الجدول أو يتعذر عليك معالجتها بنفسك، فيرجى التوجه إلى مركز خدمة Hilti.

1.8 المساعدة في حالات الاختلالات

الخلل	السبب المحتمل	الحل
الجهاز لا يبدأ في العمل.	انقطاع الإمداد بالتيار الكهربائي.	• قم بتوصيل جهاز كهربائي آخر وافحص التشغيل.
لا يتولد طرق.	الجهاز بارد للغاية.	• ضع المثقاب المطرقي على الأرض واتركه يدور على الفارغ. عند اللزوم كرر هذه العملية حتى يعمل الطارق.
المثقاب المطرقي لا يعمل بكامل قدرته.	مفتاح اختيار الوظيفة مضبوط على وضع "الثقب بدون دق" .	• اضبط مفتاح اختيار الوظيفة على وضع "الثقب المطرقي" .
	مفتاح التحكم ليس مضغوطا تماما.	• اضغط مفتاح التحكم حتى النهاية.
	مفتاح اختيار الوظيفة مضبوط على وضع "الطرق الدقيق" .	• اضبط مفتاح اختيار الوظيفة على وضع "الثقب المطرقي" .
	المقطع العرضي لكابل الإطالة صغير للغاية.	• استخدم كابل إطالة بمقطع عرضي كاف.
ريشة الثقب لا تتحرر من وضع إحكام القفل.	لم تقم بإرجاع طرف تركيب الأدوات حتى النهاية.	• قم بإرجاع وسيلة إحكام قفل الأداة حتى النهاية وأخرج الأداة.
ريشة الثقب لا تثقب.	الجهاز مضبوط على وضع الدوران جهة اليسار.	• اضبط الجهاز على وضع الدوران جهة اليمين.



 أجهزة Hilti مصنوعة بنسبة كبيرة من مواد قابلة لإعادة التدوير. يشترط لإعادة التدوير أن يتم فصل الخامات بشكل سليم فنياً. في العديد من الدول تقوم شركة Hilti باستغلال الأجهزة القديمة لإعادة تدويرها. وللمعلومات حول ذلك اتصل بخدمة عملاء Hilti أو الموزع القريب منك.

◀ لا تلق الأدوات الكهربائية، الأجهزة الإلكترونية والبطاريات ضمن القمامة المنزلية! 

10 مواصفة RoHS (مواصفة تقييد استخدام المواد الخطيرة)

تجد جدول المواد الخطيرة تحت الرابط التالي: (TE 2-M) qr.hilti.com/r3684 (TE 2)، (TE 2) qr.hilti.com/r3682، و (TE 2-S) qr.hilti.com/r3683.
تجد رابطاً بخصوص جدول RoHS في نهاية هذا المستند ككود QR.

11 ضمان الجبة الصانعة

◀ في حالة وجود أية استفسارات بخصوص شروط الضمان، يرجى التوجه إلى وكيل Hilti المحلي التابع لك.



Originālā lietošanas instrukcija

1 Informācija par lietošanas instrukciju

1.1 Par šo lietošanas instrukciju

- Pirms ekspluatācijas sākšanas obligāti izlasiet šo lietošanas instrukciju. Tas ir priekšnoteikums darba drošībai un izstrādājuma lietošanai bez traucējumiem.
- Ievērojiet drošības norādījumus un brīdinājumus, kas atrodami šajā lietošanas instrukcijā un uz izstrādājuma.
- Vienmēr glabājiet lietošanas instrukciju izstrādājuma tuvumā un, nododot izstrādājumu citai personai, vienmēr dotiet līdzīgu šo lietošanas instrukciju.

1.2 Apzīmējumu skaidrojums

1.2.1 Brīdinājumi

Brīdinājumi pievērš uzmanību bīstamībai, kas pastāv, strādājot ar izstrādājumu. Tiek lietoti šādi signālvārdi:

BĪSTAMI!

BĪSTAMI! !

- ▶ Pievērš uzmanību draudošām briesmām, kas var izraisīt smagus miesas bojājumus vai nāvi.

BRĪDINĀJUMS!

BRĪDINĀJUMS! !

- ▶ Pievērš uzmanību iespējamam apdraudējumam, kas var izraisīt smagas traumas vai pat nāvi.

IEVĒROT PIESARDZĪBU!

UZMANĪBU! !

- ▶ Norāda uz iespējami bīstamām situācijām, kas var izraisīt traumas vai materiālos zaudējumus.

1.2.2 Simboli lietošanas instrukcijā

Šajā lietošanas instrukcijā tiek izmantoti šādi simboli:

	Ievērojiet lietošanas instrukciju
	Norādījumi par lietošanu un cita noderīga informācija
	Rīcība ar otrreiz pārstrādājamiem materiāliem
	Neizmetiet elektroiekārtas un akumulatorus sadzīves atkritumos.

1.2.3 Attēlos lietotie simboli

Attēlos tiek lietoti šādi simboli:

	Šie skaitļi norāda uz attiecīgajiem attēliem, kas atrodami šīs lietošanas instrukcijas sākumā.
	Numerācija attēlos norāda uz svarīgām darbībām vai detaļām, kas ir svarīgas noteiktām darbībām. Tekstā šīs darbības vai detaļas ir izceltas, apzīmējot ar atbilstošiem numuriem, piemēram, (3) .
	Pozīciju numuri tiek lietoti attēlā Pārskats un norāda uz leģendas numuriem sadaļā Izstrādājuma pārskats .
	Šī simbola uzdevums ir pievērst īpašu uzmanību izstrādājuma lietošanas laikā.

1.3 Simboli atkarībā no izstrādājuma

1.3.1 Simboli uz izstrādājuma

Uz izstrādājuma tiek lietoti šādi simboli:



	Urbšana bez triecienu funkcijas
	Urbšana ar triecienu funkciju (triecienuurbšana)
	Urbšana bez triecienu funkcijas, 1. pārnese
	Urbšana bez triecienu funkcijas, 2. pārnese
	Viegli triecieni
	Rotācija pa labi / rotācija pa kreisi
n_0	Nominālais apgriezienu skaits tukšgaitā
/min	Apgriezienu skaits minūtē
	Aizsardzības klase II (divkārša izolācija)

1.4 Izstrādājuma informācija

Hilti izstrādājumi ir paredzēti profesionāliem lietotājiem, un to lietošanu, apkopi un remontu drīkst veikt tikai atbilstīgi pilnvarots un instruēts personāls. Personālam ir jābūt labi informētam par iespējamajiem riskiem, kas var rasties darba laikā. Izstrādājums un tā papildaprīkojums var radīt bīstamas situācijas, ja to uztic neprofesionālam personālam vai nelieto atbilstīgi nosacījumiem.

Iekārtas tipa apzīmējums un sērijas numurs ir norādīti uz identifikācijas datu plāksnītes.

- ▶ Ierakstiet sērijas numuru zemāk redzamajā tabulā. Izstrādājuma dati jānorāda, vērojoties mūsu pārstāvniecībā vai servisā.

Izstrādājuma dati

Perforators	TE 2 TE 2-S TE 2-M
Paaudze	02
Sērijas Nr.	

1.5 Atbilstības deklarācija

Uzņemoties pilnu atbildību, mēs apļiecinām, ka šeit aprakstītais izstrādājums atbilst šādām direktīvām un standartiem: Atbilstības deklarācijas attēls ir atrodams šīs dokumentācijas beigās.

Tehniskā dokumentācija ir saglabāta šeit:

Hilti Entwicklungsgesellschaft mbH | Zulassung Geräte | Hiltistraße 6 | 86916 Kaufering, DE

2 Drošība

2.1 Vispārīgi drošības norādījumi par darbu ar elektroiekārtām

⚠ BRĪDINĀJUMS! Iepazīstieties ar visiem drošības norādījumiem, instrukcijām, attēliem un tehniskajiem parametriem, kas attiecas uz šo elektroiekārtu. Turpmāk izklāstīto instrukciju neievērošana var izraisīt elektrošoku, ugunsgrēku un/vai nopietnas traumas.

Saglabājiet visus drošības norādījumus un instrukcijas turpmākai lietošanai.

Drošības norādījumos lietotais apzīmējums "elektroiekārta" attiecas uz iekārtām ar tīkla barošanu (ar barošanas kabeli) vai iekārtām ar barošanu no akumulatora (bez kabeļa).

Drošība darba vietā

- ▶ **Uzturiet darba vietā tīrību un kārtību un nodrošiniet labu apgaismojumu.** Nekārtīgā darba vietā vai sliktā apgaismojumā var viegli notikt nelaimes gadījums.
- ▶ **Nestrādājiet ar elektroiekārtu sprādzienbīstamā vidē, kur atrodas uzliesmojoši šķidrumi, gāzes vai putekļi.** Darbības laikā elektroiekārtas mēdz dzirksteļot, un tas var izraisīt viegli uzliesmojošu putekļu vai tvaiku aizdegšanos.
- ▶ **Lietojot elektroiekārtu, neļaujiet nepiederošām personām un jo īpaši bērniem tuvoties darba vietai.** Citu personu klātbūtne var novērst uzmanību, un tā rezultātā jūs varat zaudēt kontroli pār iekārtu.



Elektrodrošība

- ▶ **Elektroiekārtas kontaktdakšai jāatbilst elektrotīkla kontaktligzdai. Kontaktdakšas konstrukciju nedrīkst nekādā veidā mainīt. Kopā ar elektroiekārtām, kurām ir aizsargzēmējums, nedrīkst lietot adapteru spraudņus.** Neizmaiņātas konstrukcijas kontaktdakša, kas atbilst kontaktligzdai, ļauj samazināt elektrošoka risku.
- ▶ **Darba laikā nepieskarieties sazemētiem priekšmetiem, piemēram, caurulēm, radiatoriem, plītnim vai ledusskapjiem.** Pieskaroties sazemētām virsmām, pieaug risks saņemt elektrisko triecienu.
- ▶ **Nelietojiet elektroiekārtu lietus laikā, neturiet to mitrumā.** Mitrumam iekļūstot elektroiekārtā, pieaug risks saņemt elektrisko triecienu.
- ▶ **Nenesiet un nepakariniet elektroiekārtu aiz barošanas kabeļa un neraujiet aiz kabeļa, ja vēlaties atvienot iekārtu no elektrotīkla kontaktligzdas. Sargājiet barošanas kabeli no karstuma, eļļas, asām šķautnēm vai kustīgām detaļām.** Bojāts vai sapīņķerējis barošanas kabelis var kļūt par cēloni elektrošokam.
- ▶ **Darbinot elektroiekārtu ārpus telpām, izmantojiet tās pievienošanai vienīgi tādus pagarinātāja-kabeļus, kas ir paredzēti lietošanai brīvā dabā.** Lietojot elektrokabeļus, kas ir piemērots darbam ārpus telpām, samazinās elektrošoka risks.
- ▶ **Ja elektroiekārtas izmantošana slapjā vidē ir obligāti nepieciešama, lietojiet bojājumstrāvas aizsargslēdzi.** Bojājumstrāvas aizsargslēdža lietošana samazina elektrošoka risku.

Personiskā drošība

- ▶ **Strādājiet ar elektroiekārtu uzmanīgi, darba laikā saglabājiet paškontroli un rīkojieties saskaņā ar veseloto saprātu. Ar elektroiekārtu nedrīkst strādāt personas, kas ir nogurušas vai atrodas narkotiku, alkohola vai medikamentu ietekmē.** Mirkļis neuzmanības, strādājot ar elektroiekārtu, var novest pie nopietnām traumām.
- ▶ **Izmantojiet individuālos aizsardzības līdzekļus un darba laikā vienmēr valkājiet aizsargbrilles.** Individuālo aizsardzības līdzekļu (putekļu aizsargmaskas, neslīdošu apavu un aizsargķiveres vai ausu aizsargu) lietošana atbilstoši elektroiekārtas tipam un veicamā darba raksturam ļauj izvairīties no savainojumiem.
- ▶ **Nepieļaujiet iekārtas nekontrolētas ieslēgšanās iespēju. Pirms pievienošanas elektrotīklam, akumulatora ievietošanas, elektroiekārtas satveršanas vai pārvietošanas pārliecinieties, ka tā ir izslēgta.** Ja iekārtas pārvietošanas laikā pirksts atrodas uz slēdža vai ja ieslēgta iekārta tiek pievienota elektrotīklam, var notikt nelaimes gadījums.
- ▶ **Pirms elektroiekārtas ieslēgšanas jānoņem visi regulēšanas piederumi un uzgriežņu atslēgas.** Regulēšanas piederumi vai uzgriežņu atslēga, kas iekārtas ieslēgšanas brīdī atrodas iekārtā, var radīt traumas.
- ▶ **Izvairieties no nedabiskām pozām. Darba laikā vienmēr saglabājiet līdzsvaru un nodrošinieties pret paslīdēšanu.** Tas atvieglos elektroiekārtas vadību neparedzētās situācijās.
- ▶ **Izvēlieties darbam piemērotu apģērbu. Darba laikā nenēsājiet brīvi plandošas drēbes un rotaslietas. Netuviniet matus, apģērbu un aizsargcimdus iekārtas kustīgajām daļām.** Vaļīgas drēbes, rotaslietas un gari mati var ieķerties iekārtas kustīgajās daļās.
- ▶ **Ja elektroiekārtas konstrukcija ļauj pievienot putekļu nosūkšanas vai savākšanas ierīci, sekojiet, lai tā būtu pievienota un tiktu darbināta pareizi.** Putekļu nosūcēja lietošana samazina putekļu kaitīgo ietekmi.
- ▶ **Nezaudējiet modrību un neatkāpieties no elektroiekārtu lietošanas drošības noteikumu ievērošanas arī tad, ja lietojat attiecīgo elektroiekārtu bieži un kārtīgi to pārzināt.** Neuzmanība vienā sekundes daļā var novest pie smagām traumām.

Elektroiekārtas lietošana un apkope

- ▶ **Nepārslogojiet elektroiekārtu. Katram darbam izvēlieties piemērotu iekārtu.** Elektroiekārta darbosies labāk un drošāk pie nominālās slodzes.
- ▶ **Nelietojiet elektroiekārtu, ja ir bojāts tās slēdzis.** Elektroiekārta, ko nevar ieslēgt un izslēgt, ir bīstama un nekavējoties jānodod remontā.
- ▶ **Pirms iestatījumu veikšanas, aprīkojuma daļu nomainas vai iekārtas novietošanas uzglabāšanā atvienojiet kontaktdakšu no elektrotīkla un/vai noņemiet noņemamo akumulatoru.** Šādi jūs novērsīsiet elektroiekārtas nejaušas ieslēgšanās risku.
- ▶ **Elektroiekārtu, kas netiek darbināta, uzglabājiet piemērotā vietā. Neļaujiet lietot iekārtu personām, kas nav iepazīnušas ar tās funkcijām un izlasījušas šo lietošanas instrukciju.** Ja elektroiekārtu lieto nekompetentas personas, tas var apdraudēt cilvēku veselību.
- ▶ **Rūpīgi veiciet elektroiekārtu un to piederumu apkopi. Pārbaudiet, vai kustīgās daļas darbojas bez traucējumiem un neķeras un vai kāda no daļām nav salauzta vai bojāta un tādējādi netraucē elektroiekārtas nevainojamu darbību. Rauģieties, lai pirms iekārtas lietošanas tiktu nomainītas**



vai saremontētas bojātās daļas. Daudzi nelaiemes gadījumi notiek tāpēc, ka elektroiekārtām nav nodrošināta pareiza apkope.

- ▶ **Griezējinstrumentiem vienmēr jābūt uzasinātiem un tīriem.** Rūpīgi kopti griezējinstrumenti ar asām šķautnēm retāk iestrēgst un ir vieglāk vadāmi.
- ▶ **Lietojiet elektroiekārtu, piederumus, maināmos instrumentus utt. saskaņā ar šiem norādījumiem. Jāņem vērā arī konkrētie darba apstākļi un veicamās operācijas īpatnības.** Elektroiekārtu lietošana citiem mērķiem, nekā to ir paredzējis ražotājs, ir bīstama un var izraisīt neparedzamas sekas.
- ▶ **Raugieties, lai rokturu un satveršanas virsmas būtu sausas, tīras, nenotraipītas ar eļļu un smērvielām.** Ja rokturu vai satveršanas virsmas ir slidenas, nav iespējama droša elektroiekārtas vadība un kontrole neparedzamās situācijās.

Service

- ▶ **Uzdodiet elektroiekārtas remontu veikt tikai kvalificētam personālam, kas izmanto vienīgi oriģinālās rezerves daļas.** Tikai tā ir iespējams saglabāt elektroiekārtas funkcionālo drošību.

2.2 Drošības noteikumi darbam ar perforatoriem

Drošības norādījumi visiem darbiem

- ▶ **Lietojiet dzirdes aizsargaprīkojumu.** Trokšņa iedarbība var radīt dzirdes zudumu.
- ▶ **Lietojiet kopā ar iekārtu piegādātos papildu rokturus.** Kontroles zudums var kļūt par cēloni traumām.
- ▶ **Ja pastāv iespēja, ka instruments var skart apslēptus elektriskos vadus vai pašas iekārtas barošanas kabeli, iekārta vienmēr jātur aiz izolētajām rokturu virsmām.** Saskaņoties ar spriegumam pieslēgtiem vadiem, spriegums tiek novadīts uz iekārtas metāla daļām, radot elektrošoka risku.

Drošības norādījumi darbam ar gariem urbjiem

- ▶ **Vienmēr sāciet urbšanas procesu ar mazāku apgriezību skaitu un tikai tad, kad urbis atrodas saskarē ar apstrādājamo materiālu.** Lielāka rotācijas ātruma gadījumā urbis, griežoties bez saskares ar apstrādājamo materiālu, var viegli saliekties un izraisīt traumas.
- ▶ **Nespediet urbi ar pārāk lielu spēku un raugieties, lai spiedienu tiktu izdarīts tikai urbja aksiālajā virzienā.** Urbji var viegli saliekties un salūzt vai izraisīt kontroles zudumu un traumas.

2.3 Papildnorādījumi par drošību

Personiskā drošība

- ▶ **Aizliegts veikt nesankcionētas manipulācijas vai iekārtas izmaiņas.**
- ▶ **Gādājiet, lai rokturi būtu sausi, tīri, nenotraipīti ar eļļu un smērvielām.**
- ▶ **Pārliecinieties, vai sānu rokturis ir piemontēts pareizi un kārtīgi nostiprināts.**
- ▶ **Strādājiet ar pārtraukumiem un veiciet atslābināšanās un pirkstu vingrinājumus, kas uzlabo asinsriti.**
- ▶ **Iekārta nav paredzēta, lai to patstāvīgi lietotu personas ar nepietiekamām fiziskajām vai garīgajām spējām.**
- ▶ **Raugieties, lai iekārta nebūtu pieejama bērniem.**
- ▶ **Izvaieties no saskares ar rotējošām daļām. Ieslēdziet iekārtu tikai tad, kad tā atrodas darba zonā.** Saskare ar rotējošām iekārtas daļām, sevišķi ar rotējošiem instrumentiem, var izraisīt traumas.
- ▶ **Darba laikā vienmēr pievērsiet uzmanību tam, lai barošanas kabelis un pagarinātās atstras iekārtas aizmugurē.** Tas palīdzēs izvairīties no aizķeršanās aiz kabeļa.
- ▶ **Putekļi, ko rada tādi materiāli kā, piemēram, svīnu saturoša krāsa, daži koksnes veidi, betons / mūris / kvarcu saturoši akmeņi, minerāli un metāls, var būt kaitīgi veselībai.** Saskare ar šiem putekļiem vai to ieelpošana var izraisīt lietotāja vai citu tuvumā esošo personu alerģiskas reakcijas un/vai elpceļu saslimšanas. Noteikti putekļu veidi, piemēram, ozola un skābarža koksnes putekļi, tiek uzskatīti par kancerogēniem – sevišķi kopā ar kokapstrādē izmantojamām vielām (hromātiem, koksnes aizsarglīdzekļiem). Azbestu saturošus materiālus drīkst apstrādāt tikai kompetenti speciālisti. **Ja iespējams, lietojiet putekļu nosūcēju.** Lai nodrošinātu optimālu attīrīšanu no putekļiem, lietojiet piemērotu mobilo putekļu nosūkšanas iekārtu. Ja nepieciešams, valkājiet elpceļu aizsargmasku, kas paredzēta attiecīgajam putekļu veidam. Nodrošiniet darba vietā labu ventilāciju. Ievērojiet jūsu valstī spēkā esošos normatīvus, kas regulē attiecīgo materiālu apstrādi.
- ▶ **Sprieguma padeves pārtraukuma gadījumā iekārta jāizslēdz, jāatvieno no elektrotīkla un vajadzības gadījumā jāatceļ vadības slēdža bloķēšana.** Tas palīdzēs izvairīties no iekārtas nekontrolētas ieslēgšanās, kad tiks atjaunota sprieguma padeve.
- ▶ **Pirms laušanas vai urbšanas darbiem, kas šķērso celtnes daļas, atbilstoši jānodrošina attiecīgās celtnes daļas pretējā puse.** Atlūzas var izkrist caur atveri un / vai nogāzties lejā un savainot līdzcilvēkus.
- ▶ **Ievērojiet jūsu valstī spēkā esošos darba drošības noteikumus.**



Elektrodrošība

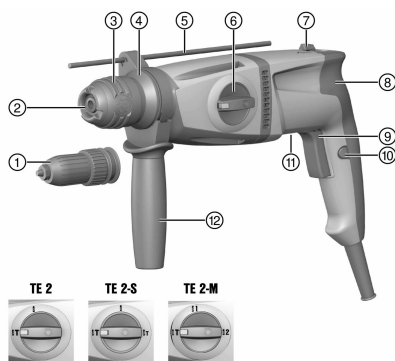
- ▶ **Piemēram, ar metāla detektora palīdzību, pirms darba sākšanas pārbaudiet, vai zem apstrādājamās virsmas neatrodas apslēpti elektriskie vadi, gāzes vai ūdens caurules.** Iekārtas ārējās metāla daļas var būt zem sprieguma, ja, piemēram, darba laikā nejauši tiek bojāts elektriskais vads. Tā rezultātā rodas nopietns elektrošoka risks.
- ▶ **Regulāri pārbaudiet iekārtas barošanas kabeli un nepieciešamības gadījumā nododiet to kompetentam speciālistam remonta vai nomaiņas veikšanai. Ja ir bojāts elektroinstrumenta barošanas kabelis, tas jānomaina pret speciāli aprīkotu un sertificētu kabeli, ko piedāvā klientu apkalpošanas organizācija. Regulāri pārbaudiet pagarinātājkabeļus un bojājumu gadījumā nomainiet tos. Ja darba laikā tiek bojāts barošanas vai pagarinātāja kabelis, nepieskarieties tam. Atvienojiet iekārtu no elektrotīkla. Bojāti barošanas kabeli un pagarinātāji slēpj elektriskā trieciena risku.**

Personīgā drošība

- ▶ **Lietojiet aizsargcimdus.** Perforators darbības laikā var sasilt. Pieskaršanās instrumentam tā nomaiņas laikā var izraisīt grieztas traumas vai apdegumus.

3 Apraksts

3.1 Izstrādājuma pārskats 1



- 1 Trīsžokļu patrona (TE 2-M)
- 2 Putekļu aizsargs
- 3 Instrumenta patrona
- 4 Instrumenta patronas bloķēšana (TE 2-M)
- 5 Dziļuma atdure
- 6 Funkcijas izvēles slēdzis
- 7 Labā / kreisā rotācijas virziena pārslēdzējs
- 8 Rokturis
- 9 Vadības slēdzis
- 10 Bloķēšanas taustiņš
- 11 Identifikācijas datu plāksnīte
- 12 Sānu rokturis

3.2 Nosacījumiem atbilstīga lietošana

Aprakstītais izstrādājums ir perforators ar elektrisko barošanu. Tas ir paredzēts urbnšanai betonā, mūrī, ģipskartonā, kokā, plastmasā un metālā, kā arī skrūvju ieskrūvēšanai un izskrūvēšanai.

- ▶ Instrumentu drīkst lietot tikai atbilstošu instrumenta norādītajai tīkla sprieguma frekvencei.

3.3 Piegādes komplektācija

Perforators, sānu rokturis, dziļuma atdure, lietošanas instrukcija.

Citus šim izstrādājumam izmantojamus sistēmas produktus meklējiet **Hilti Store** vai tīmekļvietnē www.hilti.group | ASV: www.hilti.com.

4 Tehniskie parametri

i Nominālā sprieguma, nominālās strāvas, frekvences un/vai nominālās ieejas jaudas parametri ir norādīti attiecīgajai valstij paredzētajā identifikācijas datu plāksnītē.

Ja šīs iekārtas darbināšanai izmanto ģeneratoru vai transformatoru, tā izejas jaudai jābūt vismaz divreiz lielākai par nominālo ieejas jaudu, kas norādīta uz iekārtas identifikācijas datu plāksnītes. Transformatora vai ģeneratora darba spriegumam vienmēr jābūt iekārtas nominālā sprieguma diapazonā ar pieļaidi +5 % vai -15 %.



	TE 2	TE 2-S	TE 2-M
Svars saskaņā ar EPTA procedūru 01	2,7 kg	2,7 kg	2,9 kg
Urbšanas diapazons betonā / mūrī (urbšana ar triecienu funkciju)	4 mm ... 22 mm	4 mm ... 22 mm	4 mm ... 22 mm
Urbšanas diapazons kokā (ar masīvo urbi)	1	4 mm ... 20 mm	4 mm ... 20 mm
	2	•/•	•/•
Urbuma izmēri metālā (bezserdes urbums)	1	3 mm ... 13 mm	3 mm ... 13 mm
	2	•/•	•/•
Dziļuma atdures maksimālais garums	180 mm	180 mm	180 mm

4.1 Informācija par troksni un vibrāciju saskaņā ar EN 62841

Šajās instrukcijās norādītie lielumi, kas raksturo skaņas spiedienu un vibrāciju, ir noteikti ar standartizētas mērījumu metodes palīdzību, un tos var izmantot elektroiekārtu savstarpējai salīdzināšanai. Tos var izmantot arī trokšņa un vibrācijas iedarbības pagaidu novērtējumam.

Norādītie parametri attiecas uz elektroiekārtas galvenajiem lietošanas veidiem. Taču, ja elektroiekārta tiek izmantota citos nolūkos, ar citiem maināmajiem instrumentiem vai netiek nodrošināta pietiekama tās apkope, parametri var atšķirties no norādītajiem. Tas var ievērojami palielināt trokšņa un vibrācijas iedarbību visā darba laikā.

Lai precīzi novērtētu iedarbību, jāņem vērā arī laiks, cik ilgi elektroiekārta ir izslēgta vai ir ieslēgta, taču faktiski netiek darbināta. Tas var būtiski samazināt iedarbību kopējā darba laikā.

Jāparedz papildu drošības pasākumi, lai aizsargātu iekārtas lietotāju pret trokšņa un/vai vibrācijas iedarbību, piemēram, elektroiekārtas un apkope, roku turēšana siltumā, darba procesu organizācija.

Informācija par troksni

Skaņas jaudas līmenis (L_{WA})	102,1 dB(A)
Skaņas jaudas līmeņa pielaide (K_{WA})	3 dB(A)
Skaņas spiediena līmenis (L_{pA})	91,1 dB(A)
Skaņas spiediena līmeņa pielaide (K_{pA})	3 dB(A)

Informācija par vibrāciju

Svārstību emisijas rādītāji triecienuurbšanai betonā ($a_{h, HB}$)	12,1 m/s ²
Svārstību emisijas rādītāji urbšanai metālā ($a_{h, D}$)	2,8 m/s ²
Norādītās vibrācijas pielaides (K)	1,5 m/s ²

5 Lietošana

<p>Sānu roktura montāža</p> <p> IEVĒROT PIESARDZĪBU!</p> <p>Traumu risks! Pastāv risks, ka iekārtas lietotājam traucēs strādāt dziļuma atdure, kas ir piemontēta, taču netiek izmantota.</p> <ul style="list-style-type: none"> ▶ Noņemiet dziļuma atduri no iekārtas. <hr/> <p> IEVĒROT PIESARDZĪBU!</p> <p>Traumu risks! Risks zaudēt kontroli pār izstrādājumu.</p> <ul style="list-style-type: none"> ▶ Pārliecinieties, vai sānu rokturis ir piemontēts pareizi un kārtīgi nostiprināts. Raugieties, lai fiksācijas saite vienmēr atrastos tai paredzētajā izstrādājuma rievā. 	2
<p>TE 2-M</p> <p>Instrumenta turētāja montāža / demontāža</p>	3



Instrumenta ievietošana / izņemšana: SDS instrumenta stiprinājums Nepiemērotas smērvielas lietošana var izraisīt izstrādājuma bojājumus. Lietojiet tikai oriģinālās Hilti smērvielas.	4
TE 2-M Instrumenta ievietošana / izņemšana: Ātrdarbības fiksācijas patrona Dziļuma atdures noregulēšana Vienmēr ņemiet vērā dziļuma atdures maksimālo garumu.	5
Urbšana ar triecienu funkciju (perforācija) ⚡	6
TE 2-S Viegli trieciens ⚡	7
TE 2 TE 2-S Urbšana ⚡	7
TE 2-M Urbšana ar pirmo pārneseņu ⚡1 vai urbšana ar pirmo pārneseņu ⚡2	7
Rotācija pa labi / rotācija pa kreisi UZMANĪBU! Bojājumu risks Pārslēgšana darbības laikā var izraisīt pārneseņmehānisma bojājumus. ▶ Labā / kreisā rotācijas virziena pārslēdzēju nedrīkst pārslēgt laikā, kad iekārta darbojas.	8

6 Apkope un uzturēšana

BRĪDINĀJUMS!

Elektriskā triecienu risks! Apkopes un remonta darbu veikšana, neatvienojot iekārtu no elektrotīkla, var izraisīt smagas traumas un apdegumus.

- ▶ Pirms jebkādiem apkopes un remonta darbiem vienmēr atvienojiet tīkla kontaktdakšu!

Kopšana

- Uzmanīgi notīriet pielipušos netīrumus.
- Uzmanīgi iztīriet ventilācijas atveres ar sausu birstīti.
- Korpusa tīrīšanai lietojiet tikai neredzamu samitrinātu drāniņu. Nedrīkst lietot silikonu saturošus kopšanas līdzekļus, kas var sabojāt plastmasas daļas.

Uzturēšana

BRĪDINĀJUMS!

Elektrošoka risks! Neprofesionāli veikts elektrisko daļu remonts var kļūt par cēloni smagām traumām un apdegumiem.

- ▶ Elektrisko daļu labošanu var veikt tikai elektrības nozares speciālisti.
- Regulāri pārbaudiet visas redzamās daļas, lai pārliecinātos, ka tās nav bojātas un funkcionē nevainojami.
- Bojājumu un/vai funkciju traucējumu gadījumā izstrādājumu nedrīkst lietot. Tas nekavējoties jānodod **Hilti**, lai veiktu remontu.
- Pēc apkopes un remonta darbiem visas aizsargierīces jāpiemontē vietā un jāpārbauda, vai tās darbojas.

Lai iekārta lietošana būtu droša, izmantojiet tikai oriģinālās rezerves daļas un patēriņa materiālus. Rezerves daļas un patēriņa materiālus, kuru lietošanu kopā ar šo iekārtu mēs akceptējam, var atrast **Hilti Store** vai tīmekļvietnē: www.hilti.group.

6.1 Putekļu aizsarga nomaiņa

- ▶ Nomainiet putekļu aizsargu.



7 Transportēšana un uzglabāšana

- Netransportējiet elektroiekārtu ar tajā ievietotu darba instrumentu.
- Glabāšanas laikā elektroiekārtas barošanas kabeļa kontaktdakšai vienmēr jābūt atvienotai.
- Glabājiet iekārtu sausā vietā, kas nav pieejama bērniem.
- Pirms atsākt iekārtas lietošanu pēc ilgās transportēšanas vai uzglabāšanas, pārbaudiet, vai tā nav bojāta.

8 Traucējumu novēršana

Ja iekārtas darbībā ir radušies traucējumi, kas nav uzskaitīti šajā tabulā vai ko jums neizdodas novērst saviem spēkiem, lūdzu, meklējiet palīdzību mūsu **Hilti** servisā.

8.1 Traucējumu novēršana

Traucējums	Iespējamais iemesls	Risinājums
Iekārtu nevar iedarbināt.	Pārtraukta sprieguma padeve.	▶ Pievienojiet citu elektroiekārtu un pārbaudiet, vai tā darbojas.
Nav triecienu funkcijas.	Iekārta ir pārāk auksta.	▶ Novietojiet perforatoru uz virsmas un neilgu laiku padarbinot to tukšgaitā. Ja nepieciešams atkārtojiet šo procesu, līdz triecienu mehānisms iedarbojas.
	Funkciju pārslēdzējs pozīcijā "Urbšana bez triecienu funkcijas"	▶ Pārslēdziet funkciju izvēles slēdzi pozīcijā "Triecienuurbšana"
Perforators nedarbojas ar pilnu jaudu	Kontroles slēdzis nav nospiests līdz galam.	▶ Līdz galam nospiediet vadības slēdzi.
	TE 2-S	▶ Pārslēdziet funkciju izvēles slēdzi pozīcijā "Triecienuurbšana"
	Funkciju izvēles slēdzis pozīcijā "Viegli triecieni"	▶ Lietojiet pagarinātājkabeļi ar pietiekoši lielu šķērsgriezumu.
Urbis nevar atbrīvot no fiksācijas.	Patronas fiksācija nav pilnībā atvilkta atpakaļ.	▶ Līdz galam atvelciet instrumenta fiksācijas patronu un izņemiet instrumentu.
Urbis neurbj materiālu.	Ieslēgts kreisais rotācijas virziens.	▶ Pārslēdziet uz labo rotācijas virzienu.

9 Nokalpojušo iekārtu utilizācija

Hilti iekārtu izgatavošanā tiek izmantoti galvenokārt otrreiz pārstrādājami materiāli. Priekšnosacījums otrreizējai pārstrādei ir atbilstoša materiālu šķirošana. Daudzās valstīs **Hilti** pieņem nolietotās iekārtas otrreizējai pārstrādei. Lai saņemtu vairāk informācijas, vērsieties **Hilti** servisā vai pie sava pārdošanas konsultanta.



- ▶ Neizmetiet elektroiekārtas, elektroniskas ierīces un akumulatorus sadzīves atkritumos!

10 RoHS (direktīva par bīstamo vielu izmantošanas ierobežošanu)

Lai apskatītu bīstamo vielu tabulu, izmantojiet šādu saiti: qr.hilti.com/r3682, (TE 2), qr.hilti.com/r3684 (TE 2-M) un qr.hilti.com/r3683 (TE 2-S).

Saiti uz RoHS tabulu jūs QR koda veidā atradīsiet šīs dokumentācijas beigās.

11 Ražotāja garantija

- ▶ Ar jautājumiem par garantijas nosacījumiem, lūdzu, vērsieties pie vietējā **Hilti** partnera.



Originali naudojimo instrukcija

1 Informacija apie naudojimo instrukciją

1.1 Apie šią naudojimo instrukciją

- Prieš pradėdami eksploatuoti, perskaitykite šią naudojimo instrukciją. Tai yra saugaus darbo ir patikimo naudojimo sąlyga.
- Laikykitės saugos ir įspėjamųjų nurodymų, pateiktų šioje naudojimo instrukcijoje ir ant prietaiso.
- Šią naudojimo instrukciją visada laikykite kartu su prietaisu ir prietaisą kitiems asmenims perduokite tik kartu su šia naudojimo instrukcija.

1.2 Ženklų paaiškinimas

1.2.1 Įspėjantieji nurodymai

Įspėjantieji nurodymai įspėja apie pavojus, gresiančius eksploatuojant prietaisą. Naudojami šie signaliniai žodžiai:

PAVOJUS

PAVOJUS !

- ▶ Šis žodis vartojamas norint įspėti apie tiesiogiai gresiantį pavojų, kurio pasekmės yra sunkūs kūno sužalojimai arba žūtis.

ĮSPĖJIMAS

ĮSPĖJIMAS !

- ▶ Šis žodis vartojamas norint įspėti apie galimai gresiantį pavojų, kurio pasekmės gali būti sunkūs kūno sužalojimai arba žūtis.





ATSARGIAI

ATSARGIAI !

- ▶ Šis žodis vartojamas potencialiai pavojingai situacijai žymėti, kai yra kūno sužalojimo arba materialinių nuostolių grėsmė.




1.2.2 Naudojimo instrukcijoje naudojami simboliai

Šioje naudojimo instrukcijoje naudojami tokie simboliai:

	Laikykitės naudojimo instrukcijos
	Naudojimo nurodymai ir kita naudinga informacija
	Rodo, kad juo paženklintą medžiagą galima perdirbti
	Elektrinių prietaisų ir akumuliatorių nemesti į buitines atliekas

1.2.3 Simboliai iliustracijose

Iliustracijose naudojami šie simboliai:

	Šis skaitmenys nurodo atitinkamą paveikslėlį šios naudojimo instrukcijos pradžioje.
3	Numeracija paveikslėliuose nurodo svarbius darbinis veiksmus arba darbiniais veiksams svarbias konstrukcines dalis. Tekste šie darbiniai veiksmai arba konstrukcinės dalys išskirtos atitinkamais numeriais, pvz., (3).
	Pozicijų numeriai naudojami paveikslėlyje Apžvalga – jie nurodo skyrelyje Prietaiso vaizdas esančių paaiškinimų numerius.
	Šiuo ženklu siekiama atkreipti ypatingą dėmesį į naudojamą šiuo prietaisu.



1.3 Specifiniai prietaiso simboliai

1.3.1 Simboliai ant prietaiso

Ant prietaiso naudojami tokie simboliai:

	Grėžimas be smūgiavimo
	Grėžimas smūgiuojant (smūginis grėžimas)
	Grėžimas be smūgiavimo 1 pavara
	Grėžimas be smūgiavimo 2 pavara
	Silpnas smūgiavimas
	Dešininė / kairinė eiga
n_0	Nominalus tuščiosios eigos sukimosi greitis
/min	Apsisukimai per minutę
	II apsaugos klasė (su dviguba izoliacija)

1.4 Informacija apie prietaisą

Hilti gaminiai yra skirti profesionalams, todėl juos naudoti, techniškai prižiūrėti ir remontuoti leidžiama tik įgaliotam instruktuiotam personalui. Šis personalas turi būti supažindintas su visais galimais pavojais. Neapmokyto personalo, netinkamai arba ne pagal paskirtį naudojamais prietaisais ir jo reikmenys gali kelti pavojų.

Tipas ir serijos numeris yra nurodyti firminėje duomenų lentelėje.

- Serijos numerį perkeltkite į toliau nurodytą lentelę. Kreipdamiesi su prietaisu susijusiais klausimais į mūsų atstovybę ar techninės priežiūros centrą, visada nurodykite šiuos prietaiso duomenis.

Prietaiso duomenys

Perforatorius	TE 2 TE 2-S TE 2-M
Karta	02
Serijos Nr.	

1.5 Atitikties deklaracija

Prisiimdami visą atsakomybę pareiškiame, kad čia yra aprašytas gaminytis atitinka galiojančias direktyvas ir normas. Atitikties deklaracijos kopiją rasite šios instrukcijos gale.

Techninė dokumentacija saugoma čia:

Hilti Entwicklungsgesellschaft mbH | Zulassung Geräte | Hiltistraße 6 | 86916 Kaufering, DE

2 Sauga

2.1 Bendrieji saugos nurodymai dirbantiems su elektriniais įrankiais

⚠ IŠPĖJIMAS Perskaitykite visus ant šio elektrinio įrankio esančius saugos nurodymus, instrukcijas, paveikslėlius ir techninius duomenis. Šių nurodymų nesilaikymas gali tapti elektros smūgio, gaisro ir / arba sunkių sužalojimų priežastimi.

Išsaugokite visus saugos nurodymus ir instrukcijas, kad galėtumėte į juos pažvelgti ateityje.

Saugos nurodymuose vartojama sąvoka „elektrinis įrankis“ apibrėžiami iš elektros tinklo maitinami elektriniai įrankiai (turintys maitinimo kabelį) ir iš akumulatoriaus maitinami elektriniai įrankiai (be maitinimo kabelio).

Sauga darbo vietoje

- **Pasirūpinkite, kad darbo vieta visada būtų švari ir gerai apšviesta.** Netvarkinga ar blogai apšviesta darbo vieta gali tapti nelaimingų atsitikimų priežastimi.
- **Nenaudokite elektrinio įrankio sprogoje aplinkoje, kurioje yra degių skysčių, dujų arba dulkių.** Veikiantys elektriniai įrankiai kibirkščiuoja, ir kibirkštys gali uždegti dulkes arba susikaupusius garus.



- ▶ Dirbdami su elektriniu įrankiu, neleiskite darbo zonoje būti vaikams ir pašaliniam asmeniui. Atitraukę dėmesį nuo darbo, galite nebesuvaldyti prietaiso.

Apsauga nuo elektros

- ▶ Prietaiso maitinimo kabelio kištukas turi atitikti elektros lizdo tipą. Kištuko jokių būdu negalima keisti. Nenaudokite tarpinių kištukų kartu su elektriniais įrankiais, turinčiais apsauginį įžeminimą. Nepakeisti kištukai ir tinkami elektros lizdai mažina elektros smūgio riziką.
- ▶ Venkite kūno kontakto su įžemintais paviršiais, pvz., vamzdžiais, šildytuvais, viryklėmis ir šaldytuvais. Kai žmogaus kūnas yra įžemintas, padidėja elektros smūgio tikimybė.
- ▶ Elektrinius įrankius saugokite nuo lietaus ir drėgmės. Į elektrinį įrankį patekus vandens, padidėja elektros smūgio rizika.
- ▶ Nenaudokite elektros maitinimo kabelio ne pagal paskirtį, t. y. neneškite elektrinio įrankio paėmę už kabelio, nekabinkite jo ant kabelio, netraukite už kabelio, norėdami ištraukti kištuką iš elektros lizdo. Elektros maitinimo kabelį saugokite nuo karščio, alyvos, aštrių briaunų ar judančių dalių. Pažeisti arba susipynę elektros maitinimo kabeliai didina elektros smūgio riziką.
- ▶ Jei su elektriniu įrankiu dirbate lauke, naudokite tik tokius ilginimo kabelius, kurie tinka ir lauko darbams. Naudojant lauko darbams tinkančius ilginimo kabelius, mažėja elektros smūgio rizika.
- ▶ Jeigu elektrinio įrankio naudojimo drėgnoje aplinkoje negalima išvengti, į elektros tinklą jįjunkite per apsauginę nuotėkio relę. Apsauginė nuotėkio relė mažina elektros smūgio riziką.

Žmonių sauga

- ▶ Dirbdami su elektriniu įrankiu, būkite atidūs, sutelkite dėmesį į darbą ir vadovaukitės sveika nuovoka. Elektrinio įrankio nenaudokite, jeigu esate pavargę arba apsaugę nuo narkotinių medžiagų, alkoholio ar vaistų. Neatidumo akimirka dirbant su elektriniu įrankiu gali tapti rimtu sužalojimų priežastimi.
- ▶ Naudokite asmenines apsaugos priemones ir visuomet užsidėkite apsauginius akinius. Naudojant asmenines apsaugos priemones, pvz., respiratorių, neslystančius apsauginius batus, apsauginį šalną, ausines ir kt., priklausomai nuo elektrinio įrankio tipo ir naudojimo, mažėja rizika susižaloti.
- ▶ Saugokitės, kad neįjungtumėte prietaiso atsitiktinai. Prieš prijungdami prie elektros maitinimo tinklo, idėdami akumuliatorių, imdami į rankas ar nešdami, įsitikinkite, kad elektrinis įrankis yra išjungtas. Jeigu nešdami elektrinį įrankį pirštą laikysite ant jungiklio arba įrankį įjungsitė į elektros tinklą tuomet, kai jungiklis nėra išjungtas, gali įvykti nelaimingas atsitikimas.
- ▶ Prieš įjungdami elektrinį įrankį, pašalinkite iš jo reguliavimo įrankius ar veržlinius raktus. Besisukančio prietaiso dalyje esantis įrankis ar paliktas raktas gali tapti sužalojimų priežastimi.
- ▶ Venkite nepatogių kūno padėčių. Dirbdami stovėkite tvirtai ir visada išlaikykite kūno pusiausvyrą. Taip galėsite geriau kontroliuoti elektrinį įrankį netikėtose situacijose.
- ▶ Vilkėkite tinkamą aprangą. Nevilkėkite plačių drabužių, nesidėkite papuošalų. Saugokite plaukus, drabužius ir pirštines nuo besisukančių prietaiso dalių. Laisvus drabužius, papuošalus ir ilgus plaukus gali įtraukti besisukančios prietaiso dalys.
- ▶ Jei yra numatyta galimybė prijungti dulkių nusiurbimo ar surinkimo įrenginius, visada įsitikinkite, kad jie yra prijungti ir tinkamai naudojami. Naudojant dulkių nusiurbimo įrenginį, gali sumažėti dulkių keliama grėsmė.
- ▶ Neturėkite iliuzijų, kad visada esate saugūs, ir, skaitydami naudojimo instrukcijas, nepraleiskite skyrelių apie saugų darbą su elektriniais įrankiais, net jeigu per ilgus naudojimo metus esate su savo elektriniu įrankiu susipažinę. Neatsargus veiksmas per sekundės dalį gali tapti sunkių sužalojimų priežastimi.

Elektrinio įrankio naudojimas ir elgesys su juo

- ▶ Prietaiso neperkraukite. Naudokite Jūsų darbui tinkamą elektrinį įrankį. Su tinkamu elektriniu įrankiu dirbsite geriau ir saugiau, jei neviršysite nurodytos galios.
- ▶ Nenaudokite elektrinio įrankio su sugedusiu jungikliu. Elektrinis įrankis, kurio nebegalima įjungti ar išjungti, yra pavojingas ir jį reikia remontuoti.
- ▶ Prieš prietaisą nustatydami, keisdami reikmenis ar tiesiog padėdami į šalį, visuomet ištraukite maitinimo kabelio kištuką iš elektros lizdo ir / arba iš prietaiso išimkite akumuliatorių. Ši atsargumo priemonė leis išvengti netikėto elektrinio įrankio įsijungimo.
- ▶ Nenaudojamus elektrinius įrankius saugokite vaikams nepasiekiamoje vietoje. Neleiskite prietaisu naudotis asmenims, kurie nėra su juo susipažinę arba nėra perskaitę šios instrukcijos. Elektriniai įrankiai yra pavojingi, kai juos naudoja patirties neturintys asmenys.
- ▶ Elektrinius įrankius ir reikmenis rūpestingai prižiūrėkite. Tikrinkite, ar judančios elektrinio įrankio dalys tinkamai funkcionuoja ir niekur nekliūva, ar nėra sulūžusių ir pažeistų dalių, kurios blogintų įrankio veikimą. Prieš naudojimą pažeistos prietaiso dalys turi būti suremontuotos. Blogai prižiūrimi elektriniai įrankiai yra daugelio nelaimingų atsitikimų priežastis.



- ▶ **Pjovimo įrankiai visuomet turi būti aštrūs ir švarūs.** Rūpestingai prižiūrėti pjovimo įrankiai su aštriomis pjovimo briaunomis mažiau stringa ir yra lengviau valdomi.
- ▶ **Elektrinį įrankį, reikmenis, keičiamuosius įrankius ir t. t. naudokite pagal šias instrukcijas. Taip pat atsižvelkite į darbo sąlygas ir atliekamo darbo pobūdį.** Elektrinius įrankius naudojant ne pagal paskirtį, gali kilti pavojingos situacijos.
- ▶ **Prižiūrėkite rankenas, kad jos ir jų laikymo paviršiai visada būtų sausi, švarūs ir neriebaluoti.** Slidžios rankenos ir jų laikymo paviršiai negali užtikrinti elektrinio įrankio saugaus naudojimo ir valdymo kontrolės nenumatytose situacijose.

Techninė priežiūra

- ▶ **Savo elektrinį įrankį patikėkite remontuoti tik kvalifikuotam specialistui, tam jis turi naudoti tik originalias atsargines dalis.** Taip galima užtikrinti, kad bus išlaikytas elektrinio įrankio naudojimo saugumas.

2.2 Saugos nurodymai smūginiams įrankiams

Saugos nurodymai visiems darbams

- ▶ **Dirbdami užsidėkite ausines.** Triukšmas gali pakenkti klausai.
- ▶ **Naudokite prietaiso komplekte esančias papildomas rankenas.** Prietaisui tapus nebevaldomam, galite susižaloti.
- ▶ **Vykdydami darbus, kurių metu keičiamasis įrankis gali liesti paslėptus elektros laidus ar nuosavą elektros maitinimo kabelį, prietaisą laikykite paėmę už izoliuotų rankenų paviršių.** Dėl kontakto su laidais, kuriais teka elektros srovė, metalinėse prietaiso dalyse taip pat gali atsirasti įtampa, todėl kyla elektros smūgio pavojus.

Saugos nurodymai dėl ilgų gražtų naudojimo

- ▶ **Gręžti visada pradėkite nedideliu sukimosi greičiu ir tik tada, kai gražtas jau liečia ruošinį.** Jeigu, neturėdamas kontakto su ruošiniu, gražtas gali laisvai sukstis, jis gali šiek tiek sulinkti ir sužaloti.
- ▶ **Grąžtą spauskite tik išilgine kryptimi, tačiau spaudimas neturi būti per didelis.** Grąžtai gali sulinkti ir dėl to lūžti arba tapti nebevaldomi ir sužaloti.

2.3 Papildomi saugos nurodymai

Žmonių sauga

- ▶ **Prietaisą draudžiama keisti ar kitaip juo manipuliuoti.**
- ▶ **Prižiūrėkite rankenas, kad jos būtų sausas, švarios ir netepaluotos.**
- ▶ **Išitikinkite, kad šoninė rankena tinkamai sumontuota ir tvarkingai pritvirtinta.**
- ▶ **Dirbdami darykite pertraukas ir atpalaidavimo pratimus pirštams, kad pagerėtų kraujotaka.**
- ▶ **Prietaisas nėra skirtas naudoti fiziškai silpniems neinstrukuotiems asmenims.**
- ▶ **Prietaisą laikykite vaikams nepasiekiamoje vietoje.**
- ▶ **Venkite liesti besisukančias prietaiso dalis. Prietaisą įjunkite tik darbo vietoje.** Liečiant besisukančias dalis, o ypač besisukančius įrankius, kyla sunkių sužalojimų pavojus.
- ▶ **Dirbdami elektros maitinimo kabelį ir ilginimo laidą visuomet laikykite prietaiso galinėje pusėje.** Taip sumažinsite pavojų pargriūti užkliuvę už kabelio.
- ▶ **Tam tikrų medžiagų, pvz., dažų, kuriuose yra švino junginių, kai kurių medienos rūšių, betono / mūro / akmens, kuriuose yra kvarco ir kitų mineralų, taip pat metalo dulksė gali būti sveikatai kenksmingos.** Liečiamos ar įkvėptos tokios dulksės darbuotojui ar arti jo esantiems asmenims gali sukelti alergines reakcijas ir / arba kvėpavimo takų susirgimus. Ažuolo arba buko medienos dulksė gali sukelti vėžinius susirgimus, ypač tada, kai buvo naudojami priedai medienai apdoroti (chromatai, medienos konservantai). Medžiagas, kuriose yra asbesto, leidžiama apdoroti tik specialistams. **Pagal galimybes naudokite dulkių nusiurbimo įrenginį.** Norėdami efektyviai nusiurbti didžiąją dulkių dalį, naudokite tinkamą mobilių dulkių siurblių. Jeigu reikia, naudokite atitinkamoms dulksėms skirtą kvėpavimo takus saugančią kaukę. Pasirūpinkite, kad darbo vieta būtų gerai vėdinama. Laikykitės Jūsų šalyje galiojančių konkrečių medžiagų apdirbimo instrukcijų.
- ▶ **Nutrūkus elektros energijos tiekimui, išjunkite prietaisą ir ištraukite maitinimo kabelio kištuką iš elektros lizdo; jei reikia, atlaisvinkite valdymo jungiklio blokatorių.** Taip išvengsite atsitiktinio prietaiso įsijungimo, kai įtampa elektros tinkle vėl atsiras.
- ▶ **Vykdydami sienų ar grindų pragręžimo ar pramušimo kiaurai darbus, apsaugokite kitoje pusėje esančią zoną.** Gręžimo kernai ar medžiagos skeveldros gali iškristi arba nukristi ir sužaloti kitus žmones.
- ▶ **Laikykitės nacionalinių darbų saugos reglamentų.**



Apsauga nuo elektros

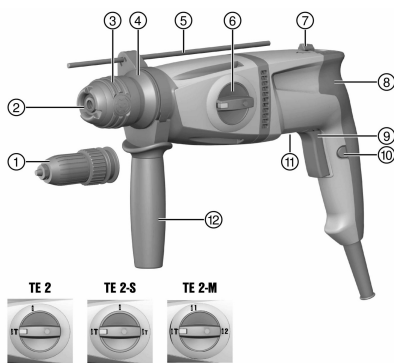
- ▶ **Prieš pradėdami dirbti, patikrinkite (pvz., naudodami metalo detektorių), ar darbo zonoje nėra paslėptų elektros laidų, dujų ir vandentiekio vamzdžių.** Netyčia pažeidus, pvz., elektros kabelį, išorinėse metalinėse prietaiso dalyse taip pat gali atsirasti įtampa. Dėl to kyla rimtas elektros smūgio pavojus.
- ▶ **Nuolat tikrinkite prietaiso elektros maitinimo kabelį; pažeistą kabelį turėtų pakeisti kvalifikuotas specialistas.** Jeigu elektrinio įrankio maitinimo kabelis yra pažeistas, jį būtina pakeisti specialiai paruoštu ir aprobuotu elektros maitinimo kabeliu, kurį galima įsigyti per klientų aptarnavimo tinklą. **Reguliariai tikrinkite ilginimo kabelį, o pažeistą pakeiskite nauju. Nesilieskite prie maitinimo ar ilginimo kabelio, jeigu darbo metu jie buvo apgadinti. Maitinimo kabelio kištuką ištraukite iš elektros lizdo.** Pažeisti elektros maitinimo ir ilginimo kabeliai kelia elektros smūgio pavojų.

Asmeninė sauga

- ▶ **Mūvėkite apsaugines pirštines.** Naudojamas perforatorius gali įkaisti. Keičiant įrankį, yra pavojus įsijauti ir nusideginti.

3 Aprašymas

3.1 Prietaiso vaizdas 1



- ① Trijų kumštelių griebtuvas (TE 2-M)
- ② Nuo dulkių saugantis gaubtelis
- ③ Įrankio griebtuvas
- ④ Įrankio griebtuvo fiksatorius (TE 2-M)
- ⑤ Gylio ribotuvas
- ⑥ Funkcijos pasirinkimo jungiklis
- ⑦ Dešininės / kairinės eigos perjungiklis
- ⑧ Rankena
- ⑨ Valdymo jungiklis
- ⑩ Fiksavimo mygtukas
- ⑪ Firminė duomenų lentelė
- ⑫ Šoninė rankena

3.2 Naudojimas pagal paskirtį

Aprašytasis prietaisas yra iš elektros tinklo maitinamas perforatorius. Jis yra skirtas betonui, mūriui, gipso kartonui, medienai, plastikams ir metalui gręžti, taip pat varžtams įsukti ir atsukti.

- ▶ Su prietaisu dirbkite tik įjungę jį į elektros tinklą, kurio įtampa ir dažnis atitinka reikšmes, nurodytas prietaiso firminėje duomenų lentelėje.

3.3 Tiekiamas komplektas

Perforatorius, šoninė rankena, gylio ribotuvas, naudojimo instrukcija.

Daugiau Jūsų turimam prietaisui skirtų sisteminių reikmenų rasite vietinėje **Hilti Store** arba tinklalapyje **www.hilti.group** | JAV: **www.hilti.com**

4 Techniniai duomenys



Nominalioji maitinimo įtampa, nominalioji srovė, dažnis ir / arba nominali vartojamoji galia yra nurodyti Jūsų šaliai galiojančioje firminėje duomenų lentelėje.

Prietaisą maitinant iš generatoriaus arba transformatoriaus, šių įrenginių atiduodamoji galia turi būti bent dvigubai didesnė už prietaiso firminėje duomenų lentelėje nurodytą nominalią vartojamąją galią. Generatoriaus arba transformatoriaus darbinės įtampoms reikšmė bet kuriuo metu turi būti prietaiso nominalios maitinimo įtampoms +5 % ir -15 % ribose.



	TE 2	TE 2-S	TE 2-M
Svoris pagal EPTA-Procedure 01	2,7 kg	2,7 kg	2,9 kg
Betone / mūre gręžiamų skylių skersmuo (smūginis gręžtuvas)	4 mm ... 22 mm	4 mm ... 22 mm	4 mm ... 22 mm
Medioje gręžiamų skylių skersmuo (išsisinis grąžtas)	1	4 mm ... 20 mm	4 mm ... 20 mm
	2	*/*	*/*
Metale gręžiamų skylių skersmuo (išsisinis grąžtas)	1	3 mm ... 13 mm	3 mm ... 13 mm
	2	*/*	*/*
Maksimalus gylio ribotuvo ilgis	180 mm	180 mm	180 mm

4.1 Informacija apie triukšmą ir vibracijos reikšmės pagal EN 62841

Šiuose nurodymuose pateiktos garso slėgio ir vibracijos reikšmės yra išmatuotos taikant standartizuotą matavimo metodą ir gali būti naudojamos elektriniams įrankiams palyginti tarpusavyje. Jos taip pat tinka šių veiksmų poveikiui iš anksto įvertinti.

Nurodytieji duomenys yra susieti su pagrindinėmis šio elektrinio įrankio naudojimo sritimis. Jeigu elektrinis įrankis bus naudojamas kitaip, su skirtingais keičiamaisiais įrankiais arba bus nepakankamai techniškai prižiūrimas, šie duomenys gali skirtis nuo nurodytųjų. Tai gali gerokai padidinti šių veiksmų poveikį per visą darbo laikotarpį.

Norint tiksliai įvertinti poveikį, reikėtų įvertinti ir laiką, kai elektrinis prietaisas yra išjungtas, arba, nors ir įjungtas, juo faktiškai nedirbama. Toks įvertinimas gali smarkiai sumažinti poveikio per visą darbo laikotarpį reikšmę.

Imkitės papildomų saugos priemonių, kad darbuotojas būtų apsaugotas nuo triukšmo ir / arba vibracijos poveikio, pavyzdžiui, reikalaukite tinkamos elektrinio įrankio ir keičiamųjų įrankių techninės priežiūros, pasirūpinkite, kad darbuotojų rankos visada būtų šiltos, užtikrinkite tinkamą darbo organizavimą.

Informacija apie triukšmą

Garso galios lygis (L_{WA})	102,1 dB(A)
Garso stiprumo lygio paklaida (K_{WA})	3 dB(A)
Skleidžiamo garso slėgio lygis (L_{pA})	91,1 dB(A)
Garso slėgio lygio paklaida (K_{pA})	3 dB(A)

Informacija apie vibraciją

Vibracijų emisijos reikšmė perforatoriumi apdirbant betoną ($a_{h,HD}$)	12,1 m/s^2
Vibracijų emisijos reikšmė gręžiant metalą ($a_{h,D}$)	2,8 m/s^2
Nurodytų vibracijos reikšmių paklaida (K)	1,5 m/s^2

5 Naudojimas

<p>Šoninės rankenos montavimas</p> <p> ATSARGIAI</p> <p>Sužalojimo pavojus! Sumontuotas, tačiau nenaudojamas gylio ribotuvus gali sužaloti naudotoją.</p> <ul style="list-style-type: none"> ► Gylio ribotuvą nuimkite nuo prietaiso. <hr/> <p> ATSARGIAI</p> <p>Sužalojimo pavojus! Prarasta prietaiso valdymo kontrolė..</p> <ul style="list-style-type: none"> ► Įsitikinkite, kad šoninė rankena tinkamai sumontuota ir tvarkingai pritvirtinta. Įsitikinkite, kad užspaudimo juosta yra atitinkamame prietaiso griovelyje. 	2
TE 2-M	3
Įrankio griebtuvo montavimas / išmontavimas	



Įrankio įdėjimas / išėmimas: įrankio griebtuvas SDS Naudojant netinkamą tirštąjį tepalą, yra pavojus prietaisą pažeisti. Naudokite tik originalų Hilti tirštąjį tepalą.	4
TE 2-M Įrankio įdėjimas / išėmimas: Greitojo fiksavimo griebtuvas Gylio ribotuvo nustatymas Visada atkreipkite dėmesį į maksimalų gylio ribotuvo ilgį.	5
Gręžimas smūgiuojant (smūginis gręžimas) ⚡T	6
TE 2-S Silpnas smūgiavimas ⚡T	7
TE 2 TE 2-S Gręžimas ⚡	7
TE 2-M Gręžimas pirmąją ⚡1 arba antrąją pavara ⚡2 Dešininis / kairinis sukimasis	7
DĖMESIO Galima žala Perjungiant darbo metu, yra pavojus sugadinti pavara. ▶ Dešininės / kairinės eigos perjungiklį junginėti darbo metu draudžiama.	8

6 Prižiūra ir einamasis remontas

ĮSPĖJIMAS

Pavojų kelia elektros smūgis! Prižiūra ir einamasis remontas, kai maitinimo kabelio kištukas įstatytas į elektros lizdą, gali tapti sunkių sužalojimų ir nudegimų priežastimi.

- ▶ Prieš pradėdami bet kokius prižiūros ir einamojo remonto darbus, maitinimo kabelio kištuką ištraukti iš elektros lizdo!

Prižiūra

- Atsargiai pašalinti prilipusius nešvarumus.
- Vėdinimo plyšius atsargiai valyti sausu šepetėliu.
- Korpusą valyti tik šiek tiek sudrėkinta šluoste. Nenaudoti silikono turinčių prižiūros priemonių, nes jos gali pakenkti plastikinėms detalėms.

Einamasis remontas

ĮSPĖJIMAS

Pavojų kelia elektros smūgis! Netinkamas elektrinių komponentų remontas gali tapti sunkių sužalojimų ir nudegimų priežastimi.

- ▶ Remontuoti elektrines įrenginio dalis leidžiama tik kvalifikuotiems elektrikams.
- Reguliariai tikrinti, ar matomos dalys nėra pažeistos ir ar valdymo elementai veikia nepriekaištingai.
- Pažeisto ir / arba turinčio veikimo sutrikimų prietaiso nenaudoti. Nedelsiant kreiptis į Hilti techninės prižiūros centrą dėl remonto.
- Baigus techninės prižiūros ir einamojo remonto darbus, sumontuoti visus apsauginius įtaisus ir patikrinti jų veikimą.



Kad eksploatacija būtų patikima, naudokite tik originalias atsargines dalis ir eksploatacines medžiagas. Mūsų aprobuotas atsargines dalis, eksploatacines medžiagas ir reikmenis savo prietaisui rasite vietinėje **Hilti Store** arba tinklalapyje www.hilti.group.



6.1 Nuo dulkių saugančio gaubtelio keitimas

- Pakeiskite nuo dulkių saugantį gaubtelį.

7 Transportavimas ir sandėliavimas

- Elektrinio prietaiso netransportuoti su sumontuotu įrankiu.
- Elektrinį prietaisą laikyti / sandėliuoti tik su iš elektros lizdo ištrauktu maitinimo kabelio kištuku.
- Prietaisą laikyti sausoje ir vaikams bei negaliojantiems asmenims neprieinamoje vietoje.
- Prieš naudojant po ilgesnio transportavimo arba sandėliavimo, patikrinti, ar prietaisas nėra pažeistas.

8 Pagalba sutrikus veikimui

Pasitaikius sutrikimų, kurie nėra aprašyti šioje lentelėje arba kurių negalite pašalinti patys, kreipkitės į **Hilti** techninės priežiūros centrą.

8.1 Pagalba sutrikus veikimui

Sutrikimas	Galima priežastis	Sprendimas
Prietaisas neįsijungia.	Nutrūko elektros maitinimas.	► Prijunkite kitą elektrinį prietaisą ir patikrinkite jo veikimą.
Prietaisas nesmūgiuoja.	Prietaisas per šaltas.	► Perforatorių padėkite ant grindų ir leiskite veikti tuščiąja eiga. Jeigu reikia, pakartokite, kol smūginis mechanizmas pradės veikti.
	Funkcijos pasirinkimo jungiklis yra padėtyje „Grėžimas be smūgiavimo“ .	► Funkcijos pasirinkimo jungiklį nustatykite į padėtį „Smūginis grėžimas“ .
Perforatorius veikia ne visa galia.	Ne iki galo nuspaustas valdymo jungiklis.	► Valdymo jungiklį spauskite, kol atsirems.
	TE 2-S	► Funkcijos pasirinkimo jungiklį nustatykite į padėtį „Smūginis grėžimas“ .
	Funkcijos pasirinkimo jungiklis yra padėtyje „Silpnas smūgiavimas“ .	
	Per mažas ilginimo kabelio laidų skerspjūvio plotas.	► Naudokite tinkamo skerspjūvio ploto ilginimo kabelį.
Gražto negalima atfiksuoti.	Įrankio griebtuvus nėra iki galo atitrauktas.	► Įrankio fikساتorių traukite atgal, kol atsirems, ir įrankį išimkite.
Gražtas negręžia.	Prietaisas perjungtas į kairinę eigą.	► Perjunkite prietaisą į dešininę eigą.

9 Utilizavimas

Hilti prietaisai yra pagaminti iš medžiagų, kurias galima naudoti antrą kartą. Būtina antrinio perdirbimo sąlyga yra tinkamas medžiagų išrūšiavimas. Daugelyje šalių **Hilti** priims Jūsų nebenaudojamą prietaisą perdirbti. Apie tai galite pasiteirauti artimiausiam **Hilti** techninės priežiūros centre arba savo prekybos konsultantui.



- Elektrinių įrankių, elektroninių prietaisų ir akumuliatorių neišmeskite į buitinius šiukšlynus!

10 RoHS (direktiva dėl pavojingų medžiagų naudojimo ribojimo)

Pavojingų medžiagų lentelę rasite spausdami šią nuorodą: qr.hilti.com/r3682, (TE 2), qr.hilti.com/r3684 (TE 2-M) ir qr.hilti.com/r3683 (TE 2-S).

Nuorodą į RoHS lentelę rasite kaip QR kodą šios instrukcijos gale.



11 Gamintojo teikiama garantija

- ▶ Kilus klausimų dėl garantijos sąlygų, kreipkitės į vietinį **Hilti** partnerį.

Originaalkasutusjuhend

1 Andmed kasutusjuhendi kohta

1.1 Käesoleva käsitemisjuhendi kohta

- Enne seadme kasutuselevõttu lugege läbi kasutusjuhend. See on ohutu kasutamise ja tõrgeteta töö eeldus.
- Järgige käesolevas kasutusjuhendis ja seadmel esitatud ohutusnõudeid ja hoiatusi.
- Hoidke kasutusjuhend alati toote juures ja andke toode teistele isikutele edasi ainult koos käesoleva kasutusjuhendiga.

1.2 Märkide selgitus

1.2.1 Hoiatused

Hoiatused annavad märku toote kasutamisel tekkivatest ohtudest. Kasutatakse järgmisi märksõnu:



OHT

OHT !

- ▶ Võimalikud ohtlikud olukorrad, mis võivad põhjustada kasutaja raskeid kehavigastusi või hukkumist.



HOIATUS

HOIATUS !

- ▶ Võimalik ohtlik olukord, mis võib põhjustada kasutaja raskeid kehavigastusi või hukkumist.



ETTEVAATUST

ETTEVAATUST !

- ▶ Võimalikud ohtlikud olukorrad, mis võivad põhjustada kehavigastusi või varalist kahju.

1.2.2 Sümbolid kasutusjuhendis

Käesolevas kasutusjuhendis kasutatakse järgmisi sümboleid:

	Järgige kasutusjuhendit
	Soovitusi seadme kasutamiseks ja muu kasulik teave
	Taaskasutatavate materjalide käsitlemine
	Elektrilisi tööriistu ja akusid ei tohi visata olmejäätmete hulka

1.2.3 Joonistel kasutatud sümbolid

Joonistel kasutatakse järgmisi sümboleid.

	Numbrid viitavad vastavatele joonistele kasutusjuhendi juhendi alguses.
	Numbrid joonistel tähistavad tähtsaid toiminguid või toimingute jaoks tähtsaid detaile. Tekstis tõstetakse need toimingud või detailid vastava numbri abil esile, näiteks (3) .
	Positsiooninumbrid kasutatakse joonisel Ülevaade ja need viitavad selgituste numbritele toote ülevaates .
	See märk näitab, et toote käsitlemisel tuleb olla eriti tähelepanelik.



1.3 Tootest sõltuvad sümbolid

1.3.1 Sümbolid tootel

Tootel kasutatakse järgmisi sümboleid.

	Löögita puurimine
	Löökpuurimine
	Löögita puurimine 1.käik
	Löögita puurimine 2.käik
	Täppislöök
	Parem/vasak käik
n_0	Nimipöörlemiskiirus tühikäigul
/min	pööret minutis
	Kaitseklass II (topeltisolatsioon)

1.4 Tooteinfo

Hilti tooted on ette nähtud professionaalsele kasutajale ja neid tohivad käsitseda, hooldada ja korras hoida ainult volitatud ja asjaomase väljaõppega isikud. Nimetatud personal peab olema teadlik kõikidest kaasnevatest ohtudest. Seade ja sellega ühendatavad abivahendid võivad osutada ohtlikuks, kui neid ei kasutata nõuetekohaselt või kui nendega töötab vastava väljaõppeta isik.

Tüübitähis ja seerianumber on tüübisildil.

- Kandke seerianumber järgmise tabelisse. Andmeid toote kohta vajate meie esindusele või hooldekeskusele pearingute esitamisel.

Toote andmed

Puurvasar	TE 2 TE 2-S TE 2-M
Pölvkond	02
Seerianumber	

1.5 Vastavusdeklaratsioon

Kinnitame ainuvastutajana, et käesolevas kasutusjuhendis kirjeldatud seade vastab kehtivate direktiivide ja standardite nõuetele: Vastavusdeklaratsiooni ärakirja leiata käesoleva kasutusjuhendi lõpust.

Tehnilised dokumendid on saadaval:

Hilti Entwicklungsgesellschaft mbH | Zulassung Geräte | Hiltistraße 6 | 86916 Kaufering, DE

2 Ohutus

2.1 Üldised ohutusnõuded elektriliste tööriistade kasutamisel

⚠ HOIATUS! Lugege kõiki selle elektrilise tööriista juurde kuuluvaid ohutusjuhiseid, nõuandeid, jooniseid ja tehnilisi andmeid! Järgmiste juhiste eiramise tagajärg võib olla elektrilööök, tulekahju ja/või rasked vigastused.

Hoidke kõik ohutusnõuded ja juhised edaspidiseks kasutamiseks alles.

Ohutusjuhistes kasutatud mõiste "elektriline tööriist" käib võrgutoiteta (toitejuhtmega) elektriliste tööriistade või akutoiteta (toitejuhtmeta) elektriliste tööriistade kohta.

Ohutus töökohal

- **Hoidke oma töökoht puhas ja valgustage seda korralikult.** Korrastamata ja valgustamata töökoht võib põhjustada õnnetusi.
- **Ärge kasutage elektrilist tööriista plahvatusohtlikus keskkonnas, kus leidub tuleohtlikke vedelikke, gaase või tolmu.** Elektrilistest tööriistadest lööb sädemeid, mis võivad tolmu või auru süüdata.



- ▶ **Hoidke lapsed ja kõik teised töökohast eemal, kui kasutate elektrilist tööriista!** Kui teie tähelepanu juhitakse kõrvale, võib seade teie kontrolli alt väljuda.

Elektriohutus

- ▶ **Elektrilise tööriista pistik peab sobima pistikupesaga. Pistiku juures ei tohi teha mingeid muudatusi. Kaitsemaandusega seadmete puhul ei tohi kasutada adapterpistikuid.** Muutmata pistikud ja sobivad pistikupesad vähendavad elektrilöögiohtu.
- ▶ **Vältige keha kontakti maandatud pindadega (nt toru, radiaator, pliit, külmik).** Kui teie keha on maandatud, on elektrilöögi oht suurem.
- ▶ **Kaitske elektrilist tööriista vihma ja niiskuse eest.** Kui elektrilise tööriista sisemusse satub vett, suurendab see elektrilöögiohtu.
- ▶ **Ärge kasutage ühenduskaablit elektrilise tööriista kandmiseks, riputamiseks ega pistiku stepslist väljatõmbamiseks!** Hoidke ühenduskaablit eemal kuumusest, õlidest, teravatest servadest ja liikuvatest osadest. Kahjustatud või keerdsed ühenduskaablid suurendavad elektrilöögiohtu.
- ▶ **Kui töotate elektrilise tööriistaga vabas õhus, kasutage ainult selliseid pikendusjuhtmeid, mida tohib kasutada ka välitingimustes.** Välitingimustes sobiva pikendusjuhtme kasutamine vähendab elektrilöögiohtu.
- ▶ **Kui seadmega töötamine niiskes keskkonnas on vältimatu, kasutage rikkevoolu kaitselüliti.** Rikkevoolu kaitselüliti kasutamine vähendab elektrilöögiohtu.

Inimeste ohutus

- ▶ **Olge tähelepanelik, jälgige, mida teete, ja toimige elektrilise tööriista töötades kaalutletult. Ärge töötagte elektrilise tööriistaga, kui olete väsinud või alkoholi, narkootikumide või ravimite mõju all! Hetkeline tähelepanematus elektrilise tööriista kasutamisel võib põhjustada raskeid kehavigastusi ja varalist kahju.**
- ▶ **Kandke isiklikke kaitsevahendeid ja alati kaitseprille.** Isiklike kaitsevahendite, nt tolmumaski, libisemiskindlate turvajalatsite, kaitsekiivri või kuulmiskaitsevahendite kandmine (sõltuvalt elektrilise tööriista tüübist ja kasutusala) vähendab vigastusohu.
- ▶ **Vältige elektrilise tööriista soovimatut käivitamist! Enne elektrilise tööriista ühendamist vooluvõrku ja/või elektrilise tööriista aku paigaldamist, tööriista ülestõstmist ja kandmist veenduge, et elektriline tööriist on välja lülitatud!** Kui hoiate elektrilise tööriista kandmisel sõrme lüliti või ühendate vooluvõrku sisselülitatud tööriista, võib juhtuda õnnetus.
- ▶ **Enne elektrilise tööriista sisselülitamist eemaldage selle küljest seade- ja mutrivõtmed.** Elektrilise tööriista pöörleva osa küljes olev seade- või mutrivõti võib põhjustada vigastusi.
- ▶ **Vältige ebatavalist tööasendit! Võtke stabiilne tööasend ja säilitage alati tasakaal.** Nii saate elektrilist tööriista ootamatutes olukordades paremini kontrollida.
- ▶ **Kandke sobivat rõivastust. Ärge kandke laiu riideid ega ehteid! Hoidke juuksed, rõivad ja kindad seadme liikuvatest osadest eemal.** Lotendavad riided, ehted ja pikad juuksed võivad sattuda seadme liikuvate osade vahele.
- ▶ **Kui elektrilise tööriista külge on võimalik paigaldada tolmuemaldus- ja kogumisseadiseid, veenduge, et need on tööriistaga ühendatud ja et neid kasutatakse nõuetekohaselt.** Tolmuemaldus-seadise kasutamine võib vähendada tolmust tingitud ohte.
- ▶ **Ärge laske tekkida petlikul turvatundel ega eirake elektrilise tööriista ohutusreegleid isegi siis, kui olete pärast paljukordset kasutamist elektrilise tööriistaga harjunud.** Tähelepanematu käsitsemine võib sekundi mürdosa jooksul kaasa tuua raskeid vigastusi.

Elektrilise tööriista kasutamine ja käsitsemine

- ▶ **Ärge koormake seadet üle! Kasutage konkreetseks tööks sobivat elektrilist tööriista.** See töötab ettenähtud jõudluspiirides tõhusamalt ja ohutumalt.
- ▶ **Ärge kasutage elektrilist tööriista, mille lüliti on rikkis!** Elektriline tööriist, mida ei saa enam lülitist korralikult sisse ja välja lülitada, on ohtlik ning tuleb viia parandusse.
- ▶ **Tõmmake enne seadme mis tahes seadetöid, tarvikute vahetamist ja seadme hoiulepanekut pistik pistikupesast välja ja/või eemaldage äravõetav aku.** See ettevaatusabinõu hoiab ära seadme soovimatu käivitumise.
- ▶ **Kasutusvälisel ajal hoidke elektrilist tööriista lastele kättesaamatus kohas. Ärge laske seadet kasutada isikutel, kes seadme tööpõhimõtet ei tunne või ei ole lugenud käesolevaid kasutusjuhendeid.** Asjatundmatute isikute käes on elektrilised tööriistad ohtlikud.
- ▶ **Hooldage elektrilisi tööriistu ja tarvikuid korralikult. Kontrollige, kas liikuvad osad töötavad veatult ega kiilu kiini. Veenduge, et seadme osad ei ole murdunud või kahjustatud määral, mis mõjutab seadme töökindlust. Laske kahjustatud osad enne seadme kasutamist parandada.** Ebapiisavalt hooldatud elektrilised tööriistad põhjustavad õnnetusi.
- ▶ **Hoidke lõiketarvikud teravad ja puhtad.** Hästi hooldatud, teravate lõikeservadega lõiketarvikud kiiluvad harvemini kinni ja neid on lihtsam juhtida.



- ▶ **Kasutage elektrilist tööriista, tarvikuid ja lisatarvikuid vastavalt nende juhistele. Arvestage seejuures töötingimuste ja tehtava töö iseloomuga.** Elektrilise tööriista kasutamine otstarbel, milleks see ei ole ette nähtud, võib põhjustada ohtlikke olukordi.
- ▶ **Käepidemed ja haardepinnad peavad olema kuivad, puhtad ning vabad õlist ja rasvast.** Libedad käepidemed ja haardepinnad ei võimalda elektrilist tööriista ootamatutes olukordades kindlat käitseda ega kontrollida.

Hoidlus

- ▶ **Laske elektrilist tööriista parandada ainult kvalifitseeritud spetsialistidel, kes kasutavad originaalvaruosi.** Nii on tagatud elektrilise tööriista ohutu töö.

2.2 Ohutusnõuded puurvasaratega töötamisel

Ohutusnõuded kõikide tööde puhul

- ▶ **Kandke kuulmiskaitsevahendeid.** Müra võib kahjustada kuulmist.
- ▶ **Kasutage tarnekomplekti kuuluvaid lisakäepidemeid.** Kontrolli kaotus seadme üle võib põhjustada vigastusi.
- ▶ **Kui teete töid, mille puhul võib tarvik tabada varjatud elektrijuhtmeid või omaenda toitejuht, hoidke seadet üksnes käepidemete isoleeritud pindadest.** Kokkupuude pingestatud elektrijuhtmega võib seada pinge alla ka seadme metalldetailid ja põhjustada elektrilöögi.

Ohutusnõuded pikkade puuride kasutamisel

- ▶ **Alustage puurimist alati madalatel pööretel ja veenduge, et puur puutub toorikuga kokku.** Kõrgematel pööretel võib puur veidi painduda, kui puuril on võimalik toorikus ilma kokkupuuteta vabalt pöördelda, ning tagajärjeks võivad olla kehavigastused ja varaline kahju.
- ▶ **Ärge rakendage liigset survet ning rakendage survet üksnes puuri suhtes pikisuunas.** Puurid võivad painduvad ja seetõttu murduda või tuua kaasa kontrolli kaotuse ning kehavigastuste ja varalise kahju tekke.

2.3 Täiendavad ohutusnõuded

Inimeste turvalisus

- ▶ **Seadme modifitseerimine ja ümberkujundamine on keelatud.**
- ▶ **Käepidemed peavad olema kuivad, puhtad ning õlist ja rasvast vabad.**
- ▶ **Veenduge, et lisakäepide on korrektselt paigaldatud ja nõuetekohaselt kinnitatud.**
- ▶ **Töötamisel tehke pause ja liigutage sõrmi, et parandada sõrmede verevarustust.**
- ▶ **Seade ei ole mõeldud füüsiliselt nõrkadele, väljaõppeta inimestele.**
- ▶ **Hoidke seadet lastele kättesaamatus kohas.**
- ▶ **Vältige kokkupuudet seadme pöörlevate osadega. Lülitage seade sisse alles töökohas.** Kokkupuude seadme pöörlevate osadega, eriti pöörlevate tarvikutega, võib põhjustada vigastusi.
- ▶ **Viige toite- ja pikendusjuhe töötamisel alati seadme taha.** See vähendab töö ajal komistus- ja kukkumisohtu.
- ▶ **Pliisisaldusega värvide, teatavat liiki puidu, betooni/müüritise/kvartsisisaldusega kivi, mineraalide ja metalli tolm võib kahjustada tervist.** Kokkupuude tolmuga või tolmu sissehingamine võib põhjustada kasutajal või läheduses viibijatel allergilise reaktsiooni ja/või hingamisteede haigusi. Teatav tolm (nt tamme- või pöögitolm) on kantserogeenne, eelkõige koosmõjus puidu töötlemise lisaainetega (kromaat, puidukaitsevahendid). Asbesti sisaldavate materjalide töötlemine on lubatud vaid asjaomase kvalifikatsiooniga isikul. **Võimaluse korral kasutage tolmuimejat. Tõhusa tolmuemalduse tagamiseks kasutage sobivat mobiilset tolmuimejat. Vajaduse korral kandke konkreetse tolmu jaoks sobivat kaitsemaski.** Tagage tööpiirkonnas hea ventilatsioon. Järgige töödeldavate materjalide suhtes riigis kehtivaid eeskirju.
- ▶ **Voolukatkestuse korral lülitage seade välja ja tõmmake pistik pistikupesast, vajaduse korral vabastage juhtlüliti lukustusnupp.** Nii hoiate vooluvarustuse taastumisel ära seadme soovimatut käivitumise.
- ▶ **Piirake läbindustööde puhul ära ka töödeldava koha taha jääv ala.** Küljest murduvad tükid võivad välja või alla kukkuda ja kehavigastusi tekitada.
- ▶ **Järgige ka vastavas riigis kehtivaid tööohutusnõudeid.**

Elektriohutus

- ▶ **Kontrollige tööpiirkonda enne töö alustamist metalliotsijaga, et tuvastada varjatud elektrijuhtmete, gaasi- või veetorude asukoht.** Pingestatud elektrijuhtme vigastamise korral võivad seadme välised metallosad pinge alla sattuda. See tekitab tõsise elektrilöögiohu.



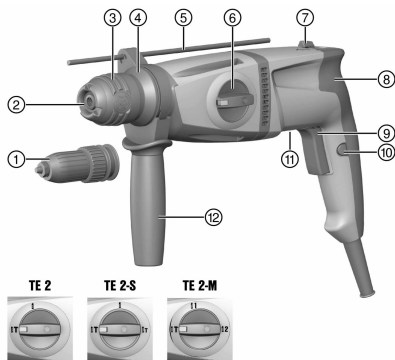
- ▶ **Kontrollige regulaarselt seadme toitejuhet.** Kui see on kahjustatud, laske see elektrikul välja vahetada. Kui elektrilise tööriista toitejuhe on kahjustatud, tuleb see asendada spetsiaalset tüüpi heakskiidetud toitejuhtmega, mis on saadaval müügiesindustes. Kontrollige regulaarselt pikendusjuhtmeid, vigastuste korral vahetage need välja. Ärge puudutage toitejuhet, kui see on töö käigus vigastada saanud. Tõmmake seadme toitepistik pistikupesast välja. Vigastatud toite- ja pikendusjuhtmed tekitavad elektrilöögiohu.

Isikuohutus

- ▶ **Kandke kaitsekindaid.** Töötamisel võib puurvasar minna kuumaks. Tarviku vahetamisel võib kokkupuude tarvikuga põhjustada löikevigastusi ja põletusi.

3 Kirjeldus

3.1 Toote ülevaade 1



- ① Kolmpakkpadrun (TE 2-M)
- ② Tolmukaitsesekate
- ③ Padrun
- ④ Tarvikukinnituse lukustus (TE 2-M)
- ⑤ Sügavuspiirik
- ⑥ Töörežiimilüliti
- ⑦ Reverslüüti
- ⑧ Käepide
- ⑨ Juhtlüüti
- ⑩ Lukustusnupp
- ⑪ Andmesilt
- ⑫ Lisakäepide

3.2 Nõuetekohane kasutamine

Kirjeldatud toode on elektriline puurvasar. See on ette nähtud betooni, müüritise, kipskartongi, puidu, plasti ja metalli puurimiseks ning kruvide sisse- ja väljakeeramiseks.

- ▶ Seadet võib kasutada vaid siis, kui vooluvõrgu pinge ja sagedus ühtib seadme andmesildil toodud pinge ja voolusagedusega.

3.3 Tarnekomplekt

Puurvasar, lisakäepide, sügavuspiirik, kasutusjuhend.

Teised tööriistaga kasutada lubatud süsteemitooded leiata **Hilti Store** müügiesindusest või veebilehelt: www.hilti.group | USA: www.hilti.com

4 Tehnilised andmed



Andmed nimipinge, nimivoolu, sageduse ja/või nimivõimsuse kohta leiata andmesildilt.

Generaatori või transformaatore kasutamisel peab selle väljundvõimsus olema vähemalt kaks korda suurem kui seadme tüübisildile märgitud nimisindvõimsus. Transformaatori või generaatori tööpinge peab olema kogu aeg vahemikus + 5% ja - 15% seadme nimipingest.

	TE 2	TE 2-S	TE 2-M
Kaal EPTA-Procedure 01 kohaselt	2,7 kg	2,7 kg	2,9 kg
Puuritava ava läbimõõt betoonis/müüritises (löökpuurimine)	4 mm ... 22 mm	4 mm ... 22 mm	4 mm ... 22 mm
Puuritava ava läbimõõt puidus (täispuur)	1	4 mm ... 20 mm	10 mm ... 20 mm
	2	•/•	•/•



	TE 2	TE 2-S	TE 2-M
Puuritava ava läbi-mõõt metallis (täis-puur)	1	3 mm ... 13 mm	3 mm ... 13 mm
	2	•/•	•/•
Sügavuspiiriku max pikkus	180 mm	180 mm	180 mm

4.1 Andmed müra ja vibratsiooni kohta vastavalt standardile EN 62841

Käesolevas juhendis märgitud helirõhu- ja vibratsioonitase on mõõdetud standarditud mõõtemeetodil ja seda saab kasutada elektriliste tööriistade omavaheliseks võrdlemiseks. See sobib ka vibratsiooni- ja mürataseme esialgseks hindamiseks.

Toodud näitajad iseloomustavad elektrilise tööriista põhilisi ettenähtud töid. Kui aga elektrilist tööriista kasutatakse muul otstarbel, teiste tarvikutega või kui tööriista on ebapiisavalt hooldatud, võivad näitajad käesolevas juhendis toodud näitajatest kõrvale kalduda. See võib vibratsiooni- ja mürataset töötamise koguperioodil tunduvalt suurendada.

Müra- ja vibratsioonitaseme täpseks hindamiseks tuleb arvesse võtta ka aega, mil elektriline tööriist oli välja lülitatud või küll sisse lülitatud, kuid tegelikult tööle rakendamata. See võib vibratsiooni- ja mürataset töötamise koguperioodil tunduvalt vähendada.

Kasutaja kaitseks müra ja/või vibratsiooni eest võtke tarvitusele täiendavaid kaitsemeetmeid, näiteks: hooldage elektrilist tööriista ja tarvikuid korralikult, hoidke käed soojad, tagage sujuv töökorraldus.

Teave müra kohta

Helivõimsustase (L_{WA})	102,1 dB(A)
Mõõtemääramatus helivõimsustaseme puhul (K_{WA})	3 dB(A)
Helirõhutase (L_{pA})	91,1 dB(A)
Mõõtemääramatus helirõhutaseme puhul (K_{pA})	3 dB(A)

Teave vibratsiooni kohta

Vibratsioonitase betooni töötlemisel puurvarasraga ($a_{h, HD}$)	12,1 m/s ²
Vibratsioonitase metalli puurimisel ($a_{h, D}$)	2,8 m/s ²
Mõõtemääramatus nimetatud vibratsioonitasemete puhul (K)	1,5 m/s ²

5 Käsitsemine

<p>Lisakäepideme paigaldamine</p> <p> ETTEVAATUST</p> <p>Vigastuste oht! Kui sügavuspiirik on paigaldatud, kuid seda ei kasutata, võib see kasutajat segada.</p> <ul style="list-style-type: none"> ▶ Eemaldage lisakäepideme seadme küljest. <hr/> <p> ETTEVAATUST</p> <p>Vigastuste oht! Kontrolli kaotus seadme üle.</p> <ul style="list-style-type: none"> ▶ Veenduge, et lisakäepideme on korrektselt paigaldatud ja nõuetekohaselt kinnitatud. Veenduge, et kinnitusriba asub seadme vastavas soones. 	2
<p>TE 2-M</p> <p>Padruni paigaldamine/mahavõtmine</p> <p>Tarviku paigaldamine/eemaldamine: SDS-padrün</p> <p> Mittesobiva määrdede kasutamine võib seadet kahjustada. Kasutage üksnes Hilti originaalmääret.</p>	3
<p>TE 2-M</p> <p>Tarviku paigaldamine/eemaldamine: Kiirkinnituspadrun</p> <p>Sügavuspiiriku reguleerimine</p> <p> Jälgige sügavuspiiriku maksimaalset pikkust.</p>	4
<p>TE 2-M</p> <p>Tarviku paigaldamine/eemaldamine: Kiirkinnituspadrun</p> <p>Sügavuspiiriku reguleerimine</p> <p> Jälgige sügavuspiiriku maksimaalset pikkust.</p>	5
<p>Sügavuspiiriku reguleerimine</p> <p> Jälgige sügavuspiiriku maksimaalset pikkust.</p>	6



Löökpuurimine	7
TE 2-S	7
Täppislöök	
TE 2 TE 2-S	7
Puurimine	
TE 2-M	7
Puurimine esimesel käigul 1 või puurimine teisel käigul 2	
Parem/vasak käik	8
TÄHELEPANU Vigastuste oht Käsitsemise töötamise ajal võib kahjustada ajamit. ► Reverslülitit ei tohi kasutada töötamise ajal.	

6 Hooldus ja korrashoid

HOIATUS

Elektrilöögi oht! Seadme hooldus- ja korrashoiutööd toitevõrku ühendatud toitepistikuga võivad põhjustada raskeid vigastusi ja põletusi.

- Tõmmake toitepistik pistikupesast välja iga kord enne hooldus- ja korrashoiutööde tegemist!

Hooldus

- Kõvasti kinni olev mustus eemaldage ettevaatlikult.
- Puhastage ventilatsiooniavasid ettevaatlikult kuiva harjaga.
- Puhastage korpust kergelt niiske lapiga. Ärge kasutage silikooni sisaldavaid hooldusvahendeid, sest need võivad kahjustada seadme plastdetaile.

Korrashoid

HOIATUS

Elektrilöögi oht! Elektridetailide asjatundmatu parandamine võib kaasa tuua raskeid vigastusi ja põletusi.

- Elektridetaila tohivad parandada ainult elektriala asjatundjad.
- Kontrollige regulaarselt nähtavate osade ja juhtelementide laitmatut töökorda.
- Kahjustuste ja/või tõrgete korral ei tohi seadet kasutada. Laske tööriist kohe **Hilti** teeninduskeskuses parandada.
- Pärast hooldus- ja remonttööd paigaldage kõik kaitseseadised ja kontrollige nende töökorda.



Tööohutuse tagamiseks kasutage ainult originaalvaruosi ja -materjale. Teie tootega sobivad ja meie poolt heakskiidetud varuosad, materjalid ja tarvikud leiate kauplusest **Hilti Store** või veebilehelt: www.hilti.group.

6.1 Tolmukaitsekatte vahetamine

- Vahetage tolmukaitsekate välja.

7 Transport ja ladustamine

- Ärge transportige elektrilist tööriista, millesse on paigaldatud tarvik.
- Enne elektrilise tööriista hoiulepanekut tõmmake toitepistik pistikupesast välja.
- Hoidke seadet kuivas kohas, mis on lastele ja kõrvalistele isikutele ligipääsmatu.
- Pärast pikemat transporti või ladustamist kontrollige tööriista vigastuste suhtes.

8 Abi tõrgete puhul

Kui peaks esinema tõrge, mida ei ole järgmises tabelis nimetatud või mida Te ei suuda ise kõrvaldada, pöörduge **Hilti** hooldekeskusse.



8.1 Abi tõrgete puhul

Tõrge	Võimalik põhjus	Lahendus
Seade ei käivitu.	Vooluvarustus on katkenud.	▶ Ühendage vooluvõrku mõni teine elektriseade ja kontrollige, kas see töötab.
Puudub löögifunktsioon.	Seade on liiga külm.	▶ Asetage puurvasar maha ja laske sellel töötada tühikäigul. Vajaduse korral korrake seni, kuni löögimehhanism töötab.
	Töörežiimilüliti on asendis "löögita puurimine"	▶ Seadke töörežiimilüliti asendisse "löökpuurimine"
Puurvasar ei tööta täisvõimsusel.	Juhtlüliti ei ole lõpuni sisse vajutatud.	▶ Vajutage juhtlüliti lõpuni.
	TE 2-S	▶ Seadke töörežiimilüliti asendisse "löökpuurimine"
	Töörežiimilüliti asendis "täppislöök"	▶ Kasutage piisava ristlõikega pikendusjuhett.
Puuri ei saa vabastada.	Padrun ei ole täielikult tagasi tõmmatud.	▶ Tõmmake padrundi lukustus lõpuni tagasi ja eemaldage tarvik.
	Pikendusjuhtme ristlõige on liiga väike.	▶ Kasutage piisava ristlõikega pikendusjuhett.
Puur ei tungi sisse.	Seade on lülitatud vasakule käigule.	▶ Lülitage seade paremale käigule.

9 Utiliseerimine

Hilti seadmed on suures osas valmistatud taaskasutatavatest materjalidest. Taaskasutuse eelduseks on materjalide korralik sorteerimine. Paljudes riikides kogub **Hilti** kasutusressursi ammendanud seadmed kokku. Lisateavet saate **Hilti** müügiesindusest.



- ▶ Ärge visake kasutusressursi ammendanud elektrilisi tööriistu, elektroonikaseadmeid ja akusid olmejäätmete hulka!

10 RoHS (direktiiv ohtlike ainete kasutamise piirangute kohta)

Järgmiselt lingilt leiate ohtlike ainete tabeli: qr.hilti.com/r3682, (TE 2), qr.hilti.com/r3684 (TE 2-M) ja qr.hilti.com/r3683 (TE 2-S).

RoHS-tabeli juurde viiva lingi leiate käesoleva dokumendi lõpust QR-koodina.

11 Tootja garantii

- ▶ Garantiitingimusi puudutavates küsimustes pöörduge oma kohaliku **Hilti** partneri poole.



Түпнұсқа пайдалану бойынша нұсқаулық

1 Пайдалану бойынша нұсқаулық туралы мәліметтер

1.1 Бұл құжаттама туралы



Импорттауыш және өндірушінің өкілетті ұйымы

- (RU) Ресей Федерациясы
"Хилти Дистрибьюшн ЛТД" АҚ, 141402, Мәскеу облысы, Химки қ., Ленинградская к-сі, 25-бет, 15.26-құрылымы
- (BY) Беларусь Республикасы
"Хилти БиУай" ЖШС, 222750, Минск облысы, Дзержин ауданы, Р-1, 18 км, 2 (Слободка ауылының жанында), 1-34 құрылымы
- (KZ) Қазақстан Республикасы
"Хилти Қазақстан" ЖШС, 050057, Алматы қ., Бостандық ауданы, Тимирязев к-сі, 42/15 үй, литер 012 (15 корпус)
- (KG) Қырғыз Республикасы
"Т AND Т" ЖШҚ, 720021, Қырғызстан, Бішкек қ., Ибраимов көш., 29 А үйі
- (AM) Армения Республикасы
"ЭЙЧ-КОН" ЖШҚ, 0070, Ереван қ., Ерманда Кочар к-сі, 19/28

Өндірілген елі: жабдықтағы белгілеу тақтайшасын қараңыз.

Өндірілген күні: жабдықтағы белгілеу тақтайшасын қараңыз.

Тиісті сертификатты мына мекенжай бойынша табуға болады: www.hilti.ru

Сақтау, тасымалдау және пайдалану шарттарына пайдалану бойынша нұсқаулықта белгіленгеннен басқа арнайы талаптар қойылмайды.

Өнімнің қызмет ету мерзімі 5 жыл.

- Іске қосу алдында осы пайдалану бойынша нұсқаулықты оқып шығыңыз. Бұл қауіпсіз жұмыс пен ақаусыз басқару үшін алғышарт болып табылады.
- Осы пайдалану бойынша нұсқаулықтағы және өнімдегі қауіпсіздік және ескерту нұсқауларын орындаңыз.
- Пайдалану бойынша нұсқаулықты әрдайым өнімде сақтаңыз және өнімді басқа тұлғаларға тек осы пайдалану бойынша нұсқаулықпен бірге тапсырыңыз.

1.2 Шартты белгілердің анықтамасы

1.2.1 Ескерту

Ескертулер өнімді қолдану барысындағы қауіптер туралы ескертеді. Төмендегі сигналдық сөздер пайдаланылады:

ҚАУІПТІ

ҚАУІПТІ !

- ▶ Ауыр жарақаттарға әкелетін немесе өмірге қауіп төндіретін тікелей қауіпті жағдайдың жалпы белгіленуі.

ЕСКЕРТУ

ЕСКЕРТУ !

- ▶ Ауыр жарақаттарға әкелуі немесе өмірге қауіп төндіруі мүмкін ықтимал қауіпті жағдайдың жалпы белгіленуі.

АБАЙЛАҢЫЗ

АБАЙЛАҢЫЗ !

- ▶ Жарақат алуға немесе мүліктің зақымдалуына әкелуі мүмкін ықтимал қауіпті жағдайдың жалпы белгіленуі.



1.2.2 Пайдалану бойынша нұсқаулықтағы белгілер

Бұл пайдалану бойынша нұсқаулықта төмендегі белгілер пайдаланылады:

	Пайдалану бойынша нұсқаулықты ұстану
	Аспапты пайдалану бойынша нұсқаулар және басқа пайдалы ақпарат
	Қайта пайдалануға болатын материалдармен жұмыс істеу
	Электр аспаптарды және аккумуляторларды тұрмыстық қоқысқа тастамаңыз

1.2.3 Суреттердегі белгілер

Суреттерде төмендегі белгілер қолданылады:

	Бұл сандар осы пайдалану бойынша нұсқаулықтың басындағы тиісті суретке сәйкес келеді.
3	Суреттердегі нөмірлер маңызды жұмыс кезеңдерін немесе жұмыс кезеңдері үшін маңызды құрамдас бөлшектерді көрсетеді. Мәтінде бұл жұмыс кезеңдері немесе құрамдас бөлшектер сәйкес сандармен ерекшеленеді, мысалы, (3).
	Позиция нөмірлері Шолу суретінде қолданылады және Өнімге шолу мақаласындағы шартты белгілердің нөмірлеріне сілтейді.
	Аталмыш белгілер өнімді қолдану барысында айрықша назарыңызды аудартады.

1.3 Өнімге қатысты белгілер

1.3.1 Өнімдегі белгілер

Төмендегі белгілер өнімде қолданылады:

	Соққысыз бұрғылау
	Соққымен бұрғылау (соғатын бұрғылау)
	1-жылдамдықта соққысыз бұрғылау
	2-жылдамдықта соққысыз бұрғылау
	Ұсақталған тас
	Айналу бағытын өзгерту
n_0	Жүктемесіз номиналды айналу жиілігі
/min	Минут ішіндегі айналымдар
	II қорғау класы (қос изоляция)

1.4 Өнім туралы ақпарат

Hilti өнімдері кәсіби пайдаланушыларға арналған және тек өкілетті, білікті қызметкерлермен пайдаланылуы, күтілуі және техникалық қызмет көрсетуі тиіс. Қызметкерлер қауіпсіздік техникасы бойынша арнайы нұсқау алуы керек. Өнім мен оның қосалқы құралдарын басқа мақсатта қолдану немесе олардың оқытылмаған қызметкерлердің тарапынан пайдаланылуы қауіпті.

Түр сипаттамасы мен сериялық нөмір фирмалық тақтайшада берілген.



- Сериялық нөмірді төмендегі кестеге көшіріп қойыңыз. Өнім туралы мәліметтерді өкілдігімізге немесе қызмет көрсету бөлімімізге сұрау беру арқылы алуға болады.

Өнім туралы мәліметтер

Перфоратор	TE 2 TE 2-S TE 2-M
Буын	02
Сериялық нөмір	

1.5 Сәйкестілік декларациясы

Біз осы нұсқаулықта сипатталған өнімнің қолданыстағы директивалар мен нормативтерге сәйкес келетінін толық жауапкершілікпен жариялаймыз. Сәйкестілік декларациясының суреті осы құжаттаманың соңында орналасқан.

Техникалық құжаттама мына жерде сақталған:

Hilti Entwicklungsgesellschaft mbH | Zulassung Geräte | Hiltistraße 6 | 86916 Kaufering, DE

2 Қауіпсіздік

2.1 Электр құралдары үшін қауіпсіздік техникасы бойынша жалпы нұсқаулар

⚠ ЕСКЕРТУ Бұл электр құралына арналған барлық қауіпсіздік нұсқауларын, нұсқауларды, суреттерді және техникалық деректерді оқып шығыңыз. Төменде берілген нұсқауларды орындамау электр тогының соғуына, өртке әкелуі мүмкін және/немесе ауыр жарақаттарды тудыруы мүмкін.

Қауіпсіздік техникасы бойынша барлық нұсқауларды және нұсқауларды келесі пайдаланушы үшін сақтаңыз.

Қауіпсіздік нұсқауларында қолданылатын «электр құралы» термині электр желісінен (желілік кабельмен) және аккумулятордан (желілік кабельсіз) жұмыс істейтін электр құралын білдіреді.

Жұмыс орны

- **Жұмыс орнындағы тазалықты және тәртіпті қадағалаңыз.** Жұмыс орнындағы ретсіздік және нашар жарық сәтсіз жағдайларға әкелуі мүмкін.
- **Жанғыш сұйықтықтар, газдар немесе шаң бар жарылыс қаупі бар аймақта электр құралын қолданбаңыз.** Жұмыс кезінде электр құралдары ұшқындар шығады және ұшқындар шаңды немесе буларды тұтандыруы мүмкін.
- **Балалардың және бөгде адамдардың жұмыс істеп тұрған электр құралына жақындауына рұқсат етпеңіз.** Жұмысқа көңіл бөлмегенде, электр құралын бақылау жоғалуы мүмкін.

Электр қауіпсіздігі

- **Электр құралдың байланыс ашасы электр желісінің розеткасына сай болуы керек. Айырдың конструкциясын өзгертпеңіз. Қорғауыш жерге қосуы бар электр құралдарымен бірге өтпелі айырларды қолданбаңыз.** Түпнұсқа айырлар және оларға сай розеткалар электр тогының соғу қаупін азайтады.
- **Жерге қосылған беттерге, мысалы, құбырларға, жылыту құралдарына, пештерге (плиталарға) және тоңазытқыштарға тікелей тиюді болдырмаңыз.** Жерге қосылған заттарға тигенде электр тогының соғуының үлкен қаупі туындайды.
- **Электр құралдарды жаңбырдан немесе ылғал әсерінен сақтаңыз.** Электр құралға су тиюі нәтижесінде электр тогының соғу қаупі артады.
- **Байланыс сымын басқа мақсатта қолданбаңыз, мысалы, электр құралды тасымалдау, оны іліп қою немесе электр желісінің розеткасынан айырды шығару үшін.** Байланыс сымын жылу, май, өткір жиектер немесе жылжымалы бөліктерден алшақ ұстаңыз. Байланыс сымының зақымдалуы немесе қабаттасуы нәтижесінде электр тогының соғу қаупі артады.
- **Егер жұмыстар ашық ауада орындалса, тек бөлмелерден тыс қолдануға жарамды ұзартқыш сымдарды пайдаланыңыз.** Бөлмелерден тыс қолдануға жарамды ұзартқыш сымды пайдалану электр тогының соғу қаупін азайтады.
- **Егер электр құралмен ылғалдылық жағдайларында жұмыс істеуді болдырмау мүмкін емес болса, шығып кететін токтан қорғау автоматын қолданыңыз.** Шығып кететін токтан қорғау автоматын қолдану электр тогының соғу қаупін азайтады.

Адамдардың қауіпсіздігі

- **Ұқыпты болыңыз, әрекеттеріңізге көңіл бөліңіз және электр құралымен жұмыс істеуге дұрыс қараңыз.** Шаршаған кезде немесе есірткі, алкоголь не дәрі қабылдаған соң электр құралын қолданбаңыз. Электр құралын қолданған кездегі зейінсіздік ауыр жарақаттарға апарып соғуы мүмкін.



- ▶ **Жеке қорғану құралдарын пайдаланыңыз және әрқашан міндетті түрде қорғауыш көзілдірікті киіңіз.** Электр құралының түріне және пайдалану жағдайларына байланысты жеке қорғану құралдарын, мысалы, шаңнан қорғайтын респираторды, сырғымайтын аяқ киімді, қорғауыш шлемді, естуді қорғау құралдарын қолдану жарақаттану қаупін азайтады.
- ▶ **Электр құралының кездейсоқ қосылуын болдырмаңыз. Электр қуатына қосу және/немесе аккумуляторды қою, көтеру немесе тасымалдау алдында электр құралы өшірілгеніне көз жеткізіңіз.** Электр құралын тасымалдағанда саусақтар сөндіргіште болатын немесе қосылған электр құралы желіге қосылатын жағдайлар сәтсіз жағдайларға әкелуі мүмкін.
- ▶ **Электр құралын қосу алдында реттеуші құрылғыларды және гайка кілтін алыңыз.** Электр құралының айналатын бөлігіндегі аспап немесе кілт жарақаттарға әкелуі мүмкін.
- ▶ **Жұмыс кезінде ыңғайсыз қалыптарға тұрмауға тырысыңыз. Үнемі тұрақты күйді және тепе-теңдікті сақтаңыз.** Бұл қлптеген жағдайларда электр құралын жақсырақ басқаруға мүмкіндік береді.
- ▶ **Арнайы киімді киіңіз. Өте бос киімді немесе әшекейлерді кимеңіз. Шашты, киімді және қолғапты электр құралының айналатын түйіндерінен сақтаңыз.** Бос киім, әшекейлер және ұзын шаш оларға ілінуі мүмкін.
- ▶ **Егер шаңды жинау және кетіруге арналған құрылғыларды қосу қарастырылған болса, олар қосылғанына және мақсаты бойынша қолданылып жатқанына көз жеткізіңіз.** Шаңды кетіру модулін пайдалану шаңның зиянды әсерін азайтады.
- ▶ **Өз мойныңызға қате қауіпсіздік сезімін алмаңыз және электр құралына арналған қауіпсіздік ережелерін бұзбаңыз, тіпті электр құралын жиі қолданатын тәжірибелі пайдаланушы болсаңыз.** Мұқиятсыз қолдану бірнеше секундта ауыр жарақаттануға апарып соғуы мүмкін.

Электр құралын қолдану және оған қызмет көрсету

- ▶ **Аспапқа шамадан тыс жүктеме түсуін болдырмаңыз. Нақ осы жұмысқа арналған электр құралын қолданыңыз.** Бұл ережені сақтау көрсетілген қуат диапазонында жоғарырақ жұмыс сапасын және қауіпсіздігін қамтамасыз етеді.
- ▶ **Сөндіргіші бұзылған электр құралын қолданбаңыз.** Қосу немесе өшіру қиын электр құралы қауіпті және оны жөндеу керек.
- ▶ **Электр құралын реттеуге, саймандарды ауыстыруға кірісу алдында немесе жұмыстағы үзіліс алдында розеткадан ашаны және/немесе электр құралынан алмалы-салмалы аккумуляторды шығарыңыз.** Бұл сақтық шарасы электр құралының кездейсоқ қосылуын болдырмайды.
- ▶ **Қолданылмайтын электр құралдарын балалар жетпейтін жерде сақтаңыз. Аспаппен таныс емес немесе осы нұсқауларды оқып шықпаған адамдарға аспапты пайдалануға рұқсат бермеңіз.** Электр құралдары тәжірибесі жоқ пайдаланушылардың қолында қауіпті болады.
- ▶ **Электр құралдары мен керек-жарақтарға ұқыпты қараңыз. Айналмалы бөліктердің мүлтіксіз қызмет ететінін, олардың жүрісінің жеңілдігін, барлық бөліктердің тұтастығын және электр құралының жұмысына теріс әсер етуі мүмкін зақымдардың жоқтығын тексеріңіз. Аспаптың зақымдалған бөліктерін оны қолдану алдында жөндеуге өткізіңіз.** Электр құралына техникалық қызмет көрсету ережелерін сақтамау көп сәтсіз жағдайлардың себебі болып табылады.
- ▶ **Кескіш аспаптардың үшкір және таза болуын қадағалау керек.** Жұмыс күйінде сақталатын кескіш аспаптардың сыналануы сиректеу болады, оларды басқару жеңілдеу.
- ▶ **Электр құралын, саймандарды, көмекші құрылғыларды және т.б. нұсқауларға сай пайдаланыңыз.** Бұл кезде жұмыс жағдайларын және орындалатын жұмыстың сипатын ескеріңіз. Электр құралдарын басқа мақсаттарда қолдану қауіпті жағдайларға әкелуі мүмкін.
- ▶ **Тұтқыштар мен тұтқыш беттерін таза, құрғақ, май іздерінсіз ұстаңыз.** Сырғанақ тұтқыштар мен олардың беттері белгілі бір жағдайларда электр құралының қауіпсіз қолданылуы мен басқарылуына жол бермейді.

Қызмет көрсету

- ▶ **Электр құралын жөндеуді тек түпнұсқа қосалқы бөлшектерді қолданатын білікті қызметкерлерге сеніп тапсырыңыз.** Бұл электр құралын қауіпсіз күйде сақтауды қамтамасыз етеді.

2.2 Перфораторлармен жұмыс істеу кезіндегі қауіпсіздік техникасы бойынша нұсқаулар

Барлық жұмыстарға арналған қауіпсіздік техникасы бойынша нұсқаулар

- ▶ **Қорғауыш құлаққапты киіңіз.** Шшу әсерінің нәтижесінде есту қабілеті жоғалуы мүмкін.
- ▶ **Аспап жинағына кіретін қосымша тұтқыштарды қолданыңыз.** Аспапты басқаруды жоғалту жарақаттарға әкелуі мүмкін.



- ▶ Аспаптың жасырын электр сымдарын немесе желілік кабельді зақымдау қаупі болғанда аспапты оқшауланған беттерінен ұстаңыз. Электр сымдарына тигенде аспаптың қорғалмаған металл бөліктері көрнеу астында болады. Бұл электр тогының соғуына әкелуі мүмкін.

Ұзын бұрғы пайдаланылған кездегі қауіпсіздік техникасы бойынша нұсқаулар

- ▶ Бұрғылау әрекетін әрдайым төмен айналу және бұрғы жиілігімен және нұсқауламамен жанаспай тұрғанда ғана бастаңыз. Айналу жиілігі жоғары болған жағдайда бұрғы дайындамамен жанаспай еркін айналғаннан сәл қисайып кетуі және жарақаттануға апарып соғуы мүмкін.
- ▶ Шамадан артық қысым қолданбаңыз және тек қана бойлық бағытпен бұрғылаңыз. Бұрғылар қисайып жарылуы мүмкін немесе бақылау мүмкіндігінен айырылып, жарақат алуыңыз мүмкін.

2.3 Қауіпсіздік техникасы бойынша қосымша ережелер

Адамдардың қауіпсіздігі

- ▶ Аспап конструкциясына өзгертулер енгізуге және оны модификациялауға тыйым салынады.
- ▶ Майланған тұтқыштарды дереу тазалаңыз, олар құрғақ және таза болуы керек.
- ▶ Бүйірлік тұтқыш дұрыс орнатылғанын және берік бекітілгенін тексеріңіз.
- ▶ Жұмыс уақытында қолдар терлемеуі үшін саусақтарды босату және жаттықтыру үшін үзілістер жасаңыз.
- ▶ Аспапты әлсіз адамдарға нұсқаусыз пайдалануға тыйым салынады.
- ▶ Аспапты балалардан алшақ ұстаңыз.
- ▶ Аспаптың айналатын бөлшектеріне тиемеңіз. Аспапты тек жұмыс аймағына әкелгеннен кейін ғана қосыңыз. Айналатын түйіндерге, әсіресе айналатын қондырмаларға тию жарақаттарға әкелуі мүмкін.
- ▶ Жұмыс кезінде желілік және ұзартқыш кабельдердің әрқашан аспаптың артында болуын бақылаңыз. Бұл жұмыс уақытында оларға шалыну қаупін азайтады.
- ▶ Құрамында қорғасын бар бояулар, ағаштың кейбір түрлері, бетон/кірпіш қалауы/кварц қамтитын жыныстар және минералдар мен металл сияқты материалдардан пайда болатын шаң денсаулық үшін зиянды болуы мүмкін. Мұндай шаңның бөлшектерімен дем алу немесе оған тию пайдаланушыларда немесе жанындағы адамдарда аллергиялық реакциялардың және/немесе дем алу жолдары ауруларының пайда болуына әкелуі мүмкін. Кейбір шаң түрлері (мысалы, өменді немесе шамшатты өңдеу кезінде пайда болатын шаң) канцерогенді деп есептеледі, әсіресе ағашты өңдеу үшін қолданылатын қосымша материалдармен (хром қышқылының тұзы, ағашты қорғау заттары) тіркесімде. Құрамында асбест бар материалдарды тек мамандар өңдеуі керек. Мүмкін болса, жарамды шаңсорғыш құралды қолданыңыз. Шаңсорғыштаудың жоғары деңгейіне жету үшін, тиісті жылжымалы шаңсорғышты пайдаланыңыз. Қажет болса, сәйкес шаң түріне арналған респиратор маскасын тағыңыз. Жұмыс аймағының жақсы желдетілуін қамтамасыз етіңіз. Өңделетін материалдар бойынша еліңізде қолданылатын нұсқауларды орындаңыз.
- ▶ Ток үзілген жағдайда аспапты өшіріңіз және желілік кабель ашасын розеткадан шығарыңыз. Қажет болғанда негізгі сөндіргішті бұғаттаудан шығарыңыз. Бұл электрмен қамту қалпына келтірілгенде аспаптың өздігінен қосылуын болдырмайды.
- ▶ Тесіп өтетін бұрғылау кезінде қауіпті аймақты қабырғаның қарама-қарсы жағынан қоршаңыз. Сыртқа шығатын немесе төмен түсетін сынықтар жарақаттауы мүмкін.
- ▶ Сондай-ақ, жұмыс қауіпсіздігі бойынша ұлттық ережелерді сақтаңыз.

Электр қауіпсіздігі

- ▶ Жұмысты бастау алдында жұмыс орнында жасырын электр сымдарының, газ және су жүргізу құбырларының бар-жоғын тексеріңіз, мысалы, металл іздегіш көмегімен. Электр сымдарына кездейсоқ тиіп кетсе, аспаптың ашық металл бөліктері электр тогының өткізгіштеріне айналуы мүмкін. Бұл кезде электр тогының соғу қаупі пайда болады.
- ▶ Аспаптың желілік кабелін тұрақты түрде тексеріңіз және зақымдалған кабельді ауыстыру үшін тәжірибелі электрші маманды шақырыңыз. Электрлік құралдың байланыс кабелі зақымдалған жағдайда оны арнайы дайындалған және рұқсат етілген кабельге ауыстыру керек. Оған клиенттерге қызмет көрсету бөлімі арқылы тапсырыс беруге болады. Ұзартқыш кабельдерді тұрақты түрде тексеріңіз және зақымдар болғанда оларды ауыстырыңыз. Жұмыс кезінде желілік немесе ұзартқыш кабель зақымдалған жағдайда оған тиюге тыйым салынады. Желілік кабельді розеткадан шығарыңыз. Ақаулы электр қуаты кабельдері және ұзартқыш кабельдер электр тогының соғу қаупін тудырады.

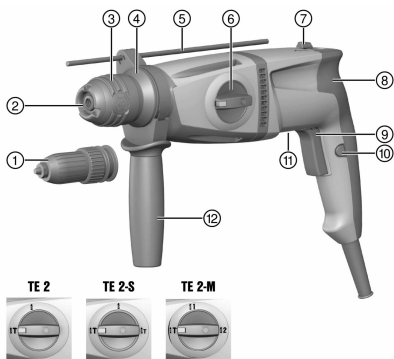
Жеке қауіпсіздік

- ▶ Қорғауыш қолғап тағыңыз. Перфоратор қолдану барысында қызып кетуі мүмкін. Құралды алмастырған кезде құралға тию жараларға не өртке апарып соғуы мүмкін.



3 Сипаттама

3.1 Өнімге шолу



- ① Үш жұдырықшалы патрон (TE 2-M)
- ② Шаңнан қорғау қабы
- ③ Құрал бекіткіші
- ④ Құрал бекіткішінің құлпы (TE 2-M)
- ⑤ Тереңдік шектегіші
- ⑥ Жұмыс режимдерінің ауыстырып-қосқышы
- ⑦ Оңға/солға айналу бағытын ауыстырып-қосқыш
- ⑧ Тұтқыш
- ⑨ Сөндіргіш
- ⑩ Төжеуіш түйме
- ⑪ Фирмалық тақтайша
- ⑫ Бүйірлік тұтқыш

3.2 Мақсатына сай қолдану

Сипатталған өнім электрлік перфоратор болып табылады. Ол бетон, кірпіш қалау, гипсокартон, ағаш, пластик пен металды бұрғылау және бұрандаларды бұрап бекітуге және босатуға арналған.

- ▶ Аспапты тек фирмалық тақтайшада көрсетілгендей электр желісінің кернеуі болғанда пайдалануға мүмкін болады.

3.3 Жеткізілім жинағы

Перфоратор, бүйірлік тұтқыш, тереңдік шектегіші, пайдалану бойынша нұсқаулық.

Оған қоса, өніміңіз үшін рұқсат етілген жүйелік өнімді **Hilti Store** дүкенінде немесе келесі веб-сайтта табуға болады: www.hilti.group | АҚШ: www.hilti.com

4 Техникалық сипаттамалар

Номиналды кернеу, номиналды ток, жиілік және/немесе номиналды тұтынылатын қуат туралы ақпарат елге тән фирмалық тақтайшада берілген.

Генераторда немесе трансформаторда жұмыс істеген кезде, осы шығыс қуат аспаптың фирмалық тақтайшасында көрсетілген номиналды тұтынылатын қуаттан кем дегенде екі есе жоғары болуы керек. Трансформатор немесе генератордың басқару кернеуі әрдайым аспаптың номиналды тұтынылатын қуатының +5% және -15% аралығында болуы керек.

	TE 2	TE 2-S	TE 2-M
ЕРТА 01 әдісіне сай салмағы	2,7 кг	2,7 кг	2,9 кг
Бетонда/кірпіш қалауда (перфоратор) бұрғылау диаметрінің диапазоны	4 мм ... 22 мм	4 мм ... 22 мм	4 мм ... 22 мм
Ағашта бұрғылау диаметрлерінің диапазоны (қатты бұрғылау бұрғысы)	1	4 мм ... 20 мм	4 мм ... 20 мм
	2	*/*	*/*
Металда бұрғылау диаметрлерінің диапазоны (қатты бұрғылау бұрғысы)	1	3 мм ... 13 мм	3 мм ... 13 мм
	2	*/*	*/*
Ұзындығы максималды тереңдік шектегіші	180 мм	180 мм	180 мм



4.1 EN 62841 стандарты бойынша шуыл туралы ақпарат және діріл мәні

Осы нұсқауларда көрсетілген дыбыс қысымы мен діріл деңгейі стандартты өлшеу әдісімен өлшенген және оны басқа электр құралдарымен салыстыру үшін пайдалануға болады. Сонымен бірге, ол экспозицияны алдын ала бағалау үшін жарайды.

Берілген деректер электр құралының негізгі жұмысын көрсетеді. Алайда, егер электр құралы басқа қасаттарда, басқа жұмыс аспаптарымен қолданылса немесе оған қанағаттандырмайтын техникалық қызмет көрсетілсе, деректер өзгеше болуы мүмкін. Осының салдарынан аспаптың бүкіл жұмыс істеу кезеңінде экспозиция айтарлықтай артуы мүмкін.

Экспозицияны дәл анықтау үшін электр құралы сөндірілген күй немесе бос жұмыс істейтін уақыт аралықтарын да ескеру керек. Осының салдарынан аспаптың бүкіл жұмыс істеу кезеңінде экспозиция айтарлықтай азаюы мүмкін.

Пайдаланушыны пайда болатын шуылдан және/немесе дірілден қорғау үшін қосымша сақтық шараларын қолданыңыз, мысалы: электр аспабына және жұмыс аспаптарына техникалық қызмет көрсету, қолдардың жылуын сақтау, жұмыс процестерін дұрыс ұйымдастыру.

Шуыл туралы ақпарат

Дыбыс күшінің деңгейі (L_{WA})	102,1 дБ(A)
Дыбыс күшінің деңгейі бойынша дәлсіздік (K_{WA})	3 дБ(A)
Эмиссиялық дыбыс қысымының деңгейі (L_{pA})	91,1 дБ(A)
Дыбыс қысымының деңгейі бойынша дәлсіздік (K_{pA})	3 дБ(A)

Діріл туралы ақпарат

Дірілдің эмиссиялық көрсеткіші, бетонда перфоратормен бұрғылау ($a_{h, HD}$)	12,1 м/с ²
Дірілдің эмиссиялық шамасы, металл бойынша бұрғылау ($a_{h, D}$)	2,8 м/с ²
Жоғарыда берілген діріл көрсеткіштерінің дәлсіздігі (K)	1,5 м/с ²

5 Қызмет көрсету

<p>Бүйірлік тұтқышты орнату</p> <p> АБАЙЛАҢЫЗ</p> <p>Жарақат алу қаупі бар! Орнатылған, бірақ пайдаланылмаған тереңдік шектегішінен пайдаланушыға кедергі келтіру қаупі.</p> <ul style="list-style-type: none"> ▶ Аспаптан тереңдік шектегішін алыңыз. <hr/> <p> АБАЙЛАҢЫЗ</p> <p>Жарақат алу қаупі бар! Өнімді бақылау мүмкіндігінен айырылу.</p> <ul style="list-style-type: none"> ▶ Бүйірлік тұтқыш дұрыс орнатылғанын және берік бекітілгенін тексеріңіз. Кергіш қамыттың өнімдегі арнайы ойықта орналасқанына көз жеткізіңіз. 	2
<p>TE 2-M</p> <p>Құрал бекіткішін орнату/бөлшектеу</p> <p>Құралды орнату/алып тастау: SDS құрал бекіткіші</p> <p> Жарамсыз майды пайдалану нәтижесінде өнім зақымдалуы мүмкін. Тек Hilti компаниясы ұсынған түпнұсқа жағармай қолданыңыз.</p>	3
<p>TE 2-M</p> <p>Құралды орнату/алып тастау: Тез қысу қысқысы</p> <p>Тереңдік шектегішін орнату</p> <p> Тереңдік шектегішінің максималды ұзындығын әрдайым сақтаңыз.</p>	4
<p>TE 2-M</p> <p>Соққымен бұрғылау (соғатын бұрғылау)††</p>	5
<p>TE 2-S</p> <p>Ұсақталған тас †††</p>	6
	7
	7



TE 2 TE 2-S	7
Бұрғылау 2	
TE 2-M	7
Бірінші жылдамдықпен бұрғылау 1 немесе екінші жылдамдықпен бұрғылау 2	
Айналу бағытын өзгерту	8
⚠ НАЗАР АУДАРЫҢЫЗ Зақымдалу қаупі. Жұмыс барысында іске қосу жетек зақымдалуына апарып соғуы мүмкін. ▶ Жұмыс барысында оңға/солға айналуы ауыстырып-қосқыштың күйін ауыстыруға тыйым салынады.	

6 Күтім және техникалық қызмет көрсету

⚠ ЕСКЕРТУ

Ток соғу қаупі бар! Желілік аша енгізіліп тұрған кезде күтім және техникалық қызмет көрсету ауыр жарақаттарға және өртке апарып соғуы мүмкін.

- ▶ Кез келген күтім және техникалық қызмет көрсету жұмысын орындамас бұрын желілік ашаны әрдайым суырып алыңыз!

Аспапты күту

- Қатты жабысқан кірді мұқият кетіріңіз.
- Желдету ойықтарын құрғақ қылшақпен жайлап тазалаңыз.
- Корпусты тек сәл суланған шүберекпен тазалаңыз. Ешқандай силикон қамтитын күтім құралдарын пайдаланбаңыз, өйткені олар пластмасса бөлшектерін зақымдауы мүмкін.

Техникалық қызмет көрсету

⚠ ЕСКЕРТУ

Ток соғу қаупі! Электрлік құрамдас бөлшектерді қате жөндеу ауыр жарақаттану мен өртке апарып соғуы мүмкін.

- ▶ Аспаптың электр бөлігін жөндеуді тек маман-электрикке тапсырыңыз.
- Барлық көзге көрінетін бөлшектерде зақымдардың бар-жоғын және басқару элементтерінің ақаусыз жұмысын жиі тексеріп тұрыңыз.
- Өнім зақымдалған және/немесе ақаулы болған жағдайда оны пайдаланушы болмаңыз. Бірден **Hilti** қызмет көрсету орталығына жөндетіңіз.
- Күтім және техникалық қызмет көрсету жұмыстарынан кейін барлық қорғауыш құрылғыларды орнатып, жұмысын тексеріңіз.



Қауіпсіз қолдану үшін тек түпнұсқа қосалқы бөлшектер мен жұмсалатын материалдарды қолданыңыз. Біз рұқсат еткен қосалқы бөлшектер, шығын материалдары мен өнімге арналған керек-жарақтар **Hilti Store** дүкенінде немесе келесі веб-сайтта қолжетімді: www.hilti.group.

6.1 Шаңнан қорғауыш қапты ауыстыру 9

- ▶ Шаңнан қорғауыш қапты ауыстырыңыз.

7 Тасымалдау және сақтау

- Электр аспапты енгізілген құралымен бірге тасымалдамаңыз.
- Электр аспапты әрқашан ажыратылған ашасымен бірге сақтаңыз.
- Аспапты құрғақ күйінде және балалар мен рұқсаты жоқ адамдардың қолы жетпейтін жерде сақтаңыз.
- Электр аспапты ұзақ уақыт тасымалдаған не сақтаған соң, оны пайдалану алдында зақымдардың бар-жоғын тексеріңіз.



8 Ақаулықтардағы көмек

Бұл кестеде келтірілмеген немесе өзіңіз түзете алмайтын ақаулықтар орын алғанда, **Hilti** қызмет көрсету орталығына хабарласыңыз.

8.1 Ақаулықтардағы көмек

Ақаулық	Ықтимал себеп	Шешім
Аспап жұмыс істемейді.	Электр жабдықтау ажыратылды.	▶ Басқа электр құралды жалғап, жұмысын тексеріңіз.
Соғатын бұрғылау орындалмайды.	Аспап тым суық.	▶ Перфораторды жерге қойып, бос жүріспен жұмыс істетіңіз. Қажет болса, соққы механизмі жұмыс істегенше әрекетті қайталаңыз.
	Функцияны таңдау қосқышы «Соққысыз бұрғылау» күйінде	▶ Функцияны таңдау қосқышын «Соғатын бұрғылау» параметріне орнатыңыз.
Перфоратор толық қуатпен жұмыс істемейді.	Негізгі сөндіргіш толық басылмаған.	▶ Негізгі сөндіргішті тірелгенше басыңыз.
	TE 2-S Функцияны таңдау қосқышын «Ұсақталған тасты бұрғылау» параметріне орнатыңыз.	▶ Функцияны таңдау қосқышын «Соғатын бұрғылау» параметріне орнатыңыз.
	Ұзартқыш кабельдің көлденең қимасы тым кішкентай.	▶ Қимасы жеткілікті ұзартқыш кабельді қолданыңыз.
Бұрғыны бекіткіштен босатуға болмайды.	Аспап патроны толық тартылмаған.	▶ Құрал құлпын шегіне дейін артқа тартыңыз және құралды шығарыңыз.
Бұрғы бұрғыламайды.	Аспапта солға айналу қосылған.	▶ Аспапта оңға айналу қосыңыз.

9 Кәдеге жарату

Hilti аспаптары қайта өңдеу үшін жарамды көптеген материалдардың санын қамтиды. Кәдеге жарату алдында материалдарды мұқият сұрыптау керек. Көптеген елдерде **Hilti** компаниясы ескі аспабыңызды қайта өңдеу үшін қайта қабылдайды. **Hilti** қызмет көрсету орталығынан немесе дилеріңізден сұраңыз.



- ▶ Электр құралдарды, электрондық құрылғылар мен аккумуляторларды тұрмыстық қоқыспен бірге тастамаңыз!

10 RoHS (зиянды заттектердің пайдаланылуын шектеу директивасы)

Төмендегі сілтеме бойынша зиянды заттектердің кестесі келтірілген: qr.hilti.com/r3682, (TE 2), qr.hilti.com/r3684 (TE 2-M) және qr.hilti.com/r3683 (TE 2-S).

RoHS кестесінің сілтемесі осы құжаттаманың соңында QR коды ретінде берілген.

11 Өндіруші кепілдігі

- ▶ Кепілдік шарттары туралы сұрақтарыңыз болса, жергілікті **Hilti** серіктесіне жолығыңыз.



オリジナル取扱説明書

1 取扱説明書について

1.1 本取扱説明書について

- ご使用前にこの取扱説明書をすべてお読みください。このことは、安全な作業と問題のない取扱いのための前提条件となります。
- 本取扱説明書および製品に記載されている安全上の注意と警告表示に注意してください。
- 取扱説明書は常に製品とともに保管し、他の人が使用する場合には、製品と取扱説明書を一緒にお渡しください。

1.2 記号の説明

1.2.1 警告表示

警告表示は製品の取扱いにおける危険について警告するものです。以下の注意喚起語が使用されています：

危険

危険！

- ▶ この表記は、重傷あるいは死亡事故につながる危険性がある場合に注意を促すために使われます。

警告

警告！

- ▶ この表記は、重傷あるいは死亡事故につながる可能性がある場合に注意を促すために使われます。





注意

注意！

- ▶ この表記は、身体の負傷あるいは物財の損傷が発生する可能性がある場合に使われます。




1.2.2 取扱説明書の記号

この取扱説明書では、以下の記号が使用されています：

	取扱説明書に注意してください
	本製品を効率良く取り扱うための注意事項や役に立つ情報
	リサイクル可能な部品の取扱い
	電動工具およびバッテリーを一般ゴミとして廃棄してはなりません

1.2.3 図中の記号

図中では以下の記号が使用されています：

	この数字は本取扱説明書冒頭にある該当図を示しています。
3	図中の付番は、重要な作業手順あるいは作業手順にとって重要なパーツであることを示しています。本文中ではこれらの作業手順またはパーツは、(3) のように当該の番号でハイライト表示されています。
	概要図には項目番号が付されていて、製品概要セクションの凡例の番号に対応しています。
	この記号は、製品の取扱いの際に特に注意が必要なことを示しています。

1.3 製品により異なる記号

1.3.1 製品に表示されている記号

製品には以下の記号が使用されています：



	回転のみ
	回転 + 打撃 (打撃穿孔)
	回転のみ (1 速)
	回転のみ (2 速)
	弱打撃
	正逆回転機能
n_0	無負荷回転数
/min	毎分回転数
	電気絶縁保護クラス II (二重絶縁)

1.4 製品情報

Hilti の製品はプロ仕様で製作されており、本体の使用、保守、修理を行うのは、認定を受けトレーニングされた人のみに限ります。これらの人は、遭遇し得る危険に関する情報を入手していなければなりません。製品およびアクセサリーの使用法を知らない者による誤使用、あるいは規定外の使用は危険です。

機種名および製造番号は銘板に表示されています。

- ▶ 製造番号を以下の表に書き写しておいてください。ヒルティ代理店やサービスセンターへお問い合わせの際には、製品データが必要になります。

製品データ

ロータリーハンマードリル	TE 2 TE 2-S TE 2-M
製品世代	02
製造番号	

1.5 適合宣言

当社は、単独の責任において本書で説明している製品が有効な基準と標準規格に適合していることを宣言します。適合宣言書の複写は本書の末尾にあります。

技術資料は本書の後続の頁に記載されています：

Hilti Entwicklungsgesellschaft mbH | Zulassung Geräte | Hiltistraße 6 | 86916 Kaufering, DE

2 安全

2.1 電動工具の一般安全注意事項

⚠ 警告事項 本電動工具に付属のすべての安全上の注意、指示事項、図、および製品仕様をお読みください。以下の指示を守らないと、感電、火災および / または重傷事故の危険があります。

安全上の注意および指示事項が書かれた説明書はすべて大切に保管してください。

安全上の注意で使用する用語「電動工具」とは、お手持ちの電動ツール（電源コード使用）またはバッテリーツール（コードレス）を指します。

作業環境に関する安全

- ▶ 作業場はきれいに保ち、十分に明るくしてください。ちらかった暗い場所での作業は事故の原因となります。
- ▶ 爆発の危険性のある環境（可燃性液体、ガスおよび粉じんのある場所）では電動工具を使用しないでください。電動工具から火花が飛散し、粉じんや揮発性ガスに引火する恐れがあります。
- ▶ 電動工具の使用時、子供や無関係者を作業場へ近づけないでください。作業中に気がそらされると、本体のコントロールを失ってしまう恐れがあります。

電気に関する安全注意事項

- ▶ 電動工具の接続プラグは電源コンセントにきちんと適合しなければなりません。プラグは絶対に変更しないでください。保護接地した電動工具と一緒にアダプタープラグを使用しないでください。オリジナルのプラグと適切なコンセントを使用することにより、感電の危険を小さくすることができます。



- ▶ パイプ、ラジエーター、電子レンジ、冷蔵庫などのアースされた面に体の一部が触れないようにしてください。体が触れると感電の危険が大きくなります。
- ▶ 電動工具を雨や湿気から保護してください。電動工具に水が浸入すると、感電の危険が大きくなります。
- ▶ 電動工具を持ち運んだり、吊り下げたり、コンセントからプラグを抜いたりするときは、必ず本体を持ち、電源コードを持ったり引っ張ったりしないでください。電源コードを火気、オイル、鋭利な刃物、可動部等に触れる場所に置かないでください。電源コードが損傷したり絡まったりしていると、感電の危険が大きくなります。
- ▶ 屋外工事の場合には、必ず屋外専用の延長コードを使用してください。屋外専用の延長コードを使用すると、感電の危険が小さくなります。
- ▶ 湿った場所で電動工具を起動させる必要がある場合は、漏電遮断器を使用してください。漏電遮断器を使用すると、感電の危険が小さくなります。

作業者に関する安全

- ▶ 電動工具を使用の際には、油断せずに十分注意し、常識をもった作業をおこなってください。疲れている場合、薬物、医薬品服用およびアルコール飲用による影響下にある場合には電動工具を使用しないでください。電動工具使用中の一瞬の不注意が重傷の原因となることがあります。
- ▶ 個人用保護具および保護メガネを常に着用してください。負傷の危険を低減するために、電動工具の使用状況に応じた粉じんマスク、耐滑性の安全靴、ヘルメット、耳栓などの個人用保護具を着用してください。
- ▶ 電動工具の意図しない始動を防止して下さい。電動工具を電源および / またはバッテリーに接続する前や本体を持ち上げたり運んだりする前に、本体がオフになっていることを必ず確認してください。オン / オフスイッチが入っている状態で電動工具のスイッチに指を掛けたまま運んだり、電源に接続したりすると、事故の原因となる恐れがあります。
- ▶ 電動工具のスイッチを入れる前に、必ず調節キーやレンチを取り外してください。調節キーやレンチが本体の回転部に装着されたままでは、けがの原因となる恐れがあります。
- ▶ 作業中是不安定な姿勢をとらないでください。足元を安定させ、常にバランスを保つようにしてください。これにより、万一電動工具が異常状況に陥った場合にも、適切な対応が可能となります。
- ▶ 作業に適した作業着を着用してください。だぶだぶの衣服や装身具を着用しないでください。髪、衣服、手袋を本体の可動部に近づけないでください。だぶだぶの衣服、装身具、長い髪が可動部に巻き込まれる恐れがあります。
- ▶ 吸じんシステムの接続が可能な場合には、これらのシステムが適切に接続、使用されていることを確認してください。吸じんシステムを利用することにより、粉じん公害を防げます。
- ▶ 電動工具の取扱いに熟練している場合にも、正しい安全対策を遵守し、電動工具に関する安全規則を無視しないでください。不注意な取扱いは、ほんの一瞬で重傷事故を招くことがあります。

電動工具の使用および取扱い

- ▶ 無理のある使用を避けてください。作業用途に適した電動工具を使用してください。適切な電動工具の使用により、効率よく、スムーズかつ安全な作業が行えます。
- ▶ スイッチが故障している場合には、電動工具を使用しないでください。スイッチで始動および停止操作のできない電動工具は危険ですので、修理が必要です。
- ▶ 本体の設定やアクセサリーの交換を行う前や本体を保管する前には電源プラグをコンセントから抜き、および / または脱着式のバッテリーを取り外してください。この安全処置により、電動工具の意図しない始動を防止することができます。
- ▶ 電動工具をご使用にならない場合には、子供の手の届かない場所に保管してください。電動工具に関する知識のない方、本説明書をお読みでない方による本体のご使用は避けてください。未経験者による電動工具の使用は危険です。
- ▶ 電動工具とアクセサリーは慎重に手入れしてください。可動部分が引っ掛かりなく正常に作動しているか、電動工具の運転に影響を及ぼす各部分が破損・損傷していないかを確認してください。電動工具をご使用になる前に、損傷部分の修理を依頼してください。事故の多くは保守管理の不十分な電動工具の使用が原因となっています。
- ▶ 先端工具は鋭利で汚れのない状態を保ってください。お手入れのゆきとどいた先端工具を使用すると、作業が簡単かつ、スムーズになります。
- ▶ 電動工具、アクセサリー、先端工具などは、それらの説明書に記載されている指示に従って使用してください。その際は、作業環境および用途についてもご注意ください。指定された用途以外に電動工具を使用すると危険な状況をまねく恐れがあります。
- ▶ グリップとグリップ面は乾燥した清潔な状態に保ち、オイルやグリスの付着がないようにしてください。グリップやグリップ面が滑りやすい状態になっていると、予期していない状況が発生した際に電動工具を安全に使用 / 制御できません。

サービス

- ▶ 電動工具の修理は必ず認定サービスセンターにお申し付けください。また、必ず純正部品を使用してください。これにより電動工具の安全性が確実に維持されます。



2.2 ハンマーに関する安全上の注意

すべての作業に関する安全上の注意

- ▶ 耳栓を着用してください。騒音により、聴覚に悪影響が出る恐れがあります。
- ▶ 本体には一緒に納品された補助ハンドルを使用してください。これ以外のハンドルを使用すると、コントロールを失ってけがをする恐れがあります。
- ▶ 隠れた電線や装置自体の電源コードに先端工具が接触する可能性のある作業を行う場合は、必ず本体の絶縁されたグリップを持ってください。通電しているケーブルと接触すると、本体の金属部分にも電圧がかかり、感電の危険があります。

長いドリルビットを使用する際の安全上の注意

- ▶ 穿孔作業は、常にドリルビットが作業材料と接触している状態で低い回転数から始めるようにしてください。回転数が高くてドリルビットが作業材料と接触せず自由に回転できる状態にあると、ドリルビットは簡単に曲がってしまうことがあり、これが負傷の原因となることがあります。
- ▶ 過度な力を加えず、常にドリルビットの縦方向にのみ力が作用するようにしてください。ドリルビットは曲がって折れてしまうこと、あるいはコントロールを失って負傷の原因となることがあります。

2.3 その他の安全上の注意

作業者に関する安全

- ▶ 本体の加工や改造は許されません。
- ▶ グリップ表面は乾燥させ、清潔に保ち、オイルやグリスで汚さないようにしてください。
- ▶ サイドハンドルが正しく取り付けられ、しっかりと固定されていることを確認してください。
- ▶ 休憩を取って緊張をほぐし、指を動かして血の巡りを良くするように心がけてください。
- ▶ 本体は、体の弱い人が指示を受けずに使用するには向いていません。
- ▶ 本体は子供の手が届かないところに保管してください。
- ▶ 回転部分には手を触れないでください。本体の電源は必ず作業場で入れてください。回転部分、特に回転している先端工具は負傷の原因となります。
- ▶ 常に電源コード、延長コードが本体の背後にくるようにしてください。こうすることにより、作業中の落下を防止します。
- ▶ 含鉛塗料、特定の種類の木材、コンクリート / 石材、石英を含む岩石、鉱物および金属などの母材から生じた粉じんは、健康を害する恐れがあります。作業者や近くにいる人が粉じんに触れたり吸い込んだりすると、アレルギー反応や呼吸器疾患を起こす可能性があります。カシヤブナ材などの特定の粉じんは、特に木材処理用の添加剤（クロム塩酸、木材保護剤）が使用されている場合、発ガン性があるとされています。アスベストが含まれる母材は、必ず専門家が取り扱うようにしてください。できるだけ集じん装置を使用してください。集じん効率を高めるには、適切な可動集じん装置を使用してください。必要に応じてそれぞれの粉じんに適した防じんマスクを着用してください。作業場の換気に十分配慮してください。処理する母材について、各国で効力を持つ規定を遵守してください。
- ▶ 停電の際には本体のスイッチを切り、電源プラグを抜いてください。必要な場合はコントロールスイッチのロックを解除します。これで、再び通電した時に本体が不意に始動するのを防ぐことができます。
- ▶ 剥がし作業の場合には、作業側と反対の領域を保護してください。剥がれた部分が脱落、落下して他の人を負傷させる危険があります。
- ▶ 各国の労働安全衛生法も遵守してください。

電気に関する安全注意事項

- ▶ 作業を開始する前に、作業場に埋設された電線、ガス管や水道管がないかを金属探知機などで調査してください。例えば、作業中に誤って先端工具が電線に触れると、本体の金属部分とケーブルが通電する可能性があります。この場合、感電による重大な事故が発生する危険があります。
- ▶ 本体の電源コードを定期的に点検し、コードに損傷がある場合は認定を受けた修理スペシャリストに交換を依頼してください。電動工具の電源コードが損傷した場合は、専用の承認された交換用電源コードと交換してください。交換用電源コードはヒルティサービスセンターにご注文ください。延長コードを定期的に点検し、損傷がある場合は交換してください。作業中、損傷した電源コード、延長コードには触れないでください。電源プラグをコンセントから抜きます。損傷した電源コードや延長コードは感電の原因となり危険です。

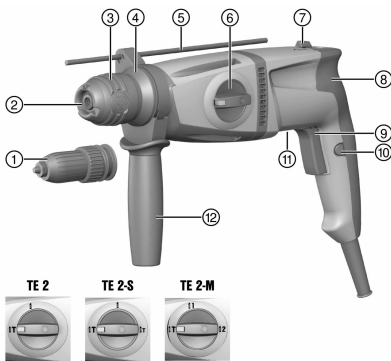
作業者に関する安全

- ▶ 保護手袋を着用してください。ロータリーハンマードリルは作動中に温度が上昇します。先端工具の交換の際に先端工具に触れると、切削事故や火傷の危険があります。



3 製品の説明

3.1 製品概要 1



- ① スリージョーチャック (TE 2-M)
- ② 防じんカバー
- ③ チャック
- ④ チャックロック (TE 2-M)
- ⑤ デプスゲージ
- ⑥ 機能切り替えスイッチ
- ⑦ 正回転 / 逆回転切り替えスイッチ
- ⑧ グリップ
- ⑨ 無段変速スイッチ
- ⑩ ロックボタン
- ⑪ 銘板
- ⑫ サイドハンドル

3.2 正しい使用

本書で説明している製品は、電動ロータリーハンマードリルです。このロータリーハンマードリルは、コンクリート、石材、石膏、木材、プラスチック、金属への穿孔、およびねじの取付けと取外し作業に適しています。

▶ 必ず銘板に表示されている電圧、周波数で使用してください。

3.3 本体標準セット構成

ロータリーハンマードリル、サイドハンドル、デプスゲージ、取扱説明書。
 その他の本製品用に許可されたシステム製品については、弊社営業担当または **Hilti Store** にお問い合わせいただくか、あるいは www.hilti.group | USA: www.hilti.com でご確認ください。

4 製品仕様

定格電圧、定格電流、周波数および / または定格電力については、国別の銘板でご確認ください。

発電機または変圧器を使用しての作業の場合は、それらは本体の銘板に記載されている定格電力より 2 倍以上大きな出力がなければなりません。変圧器または発電機の作動電圧は、常に本体の定格電圧の +5 %...-15 % の範囲になければなりません。

	TE 2	TE 2-S	TE 2-M
重量 (EPTA プロシージャ 01 に準拠)	2.7 kg	2.7 kg	2.9 kg
コンクリート / 石材への穿孔 (ハンマードリルビット)	4 mm ... 22 mm	4 mm ... 22 mm	4 mm ... 22 mm
木材への穿孔 (木工用ドリルビット)	1	4 mm ... 20 mm	10 mm ... 20 mm
	2	•/•	•/•
金属への穿孔 (鉄工用ドリルビット)	1	3 mm ... 13 mm	3 mm ... 13 mm
	2	•/•	•/•
デプスゲージの最大長さ	180 mm	180 mm	180 mm

4.1 騒音および振動値について (EN 62841 準拠)

本説明書に記載されているサウンドプレッシャー値および振動値は、規格に準拠した測定方法に基づいて測定したものです。電動工具を比較するのにご使用いただけます。曝露値の暫定的な予測にも適しています。記載されているデータは、電動工具の主要な使用方法に対する値です。電動工具を他の用途で使用したり、異なる先端工具を取り付けて使用したり、手入れや保守が十分でないまま使用した場合には、データが異なることがあります。このような相違により、作業時間全体で曝露値が著しく高くなる可能性があります。



曝露値を正確に予測するためには、電動工具のスイッチをオフにしている時間や、電動工具が作動していても実際には使用していない時間も考慮しなければなりません。このような相違により、作業時間全体で曝露値が著しく低くなる可能性があります。

作業者を騒音および/または振動による作用から保護するために、他にも安全対策を立ててください（例：電動工具および先端工具の手入れや保守、手を冷やさないようにする、作業手順の編成）。

騒音について

サウンドパワーレベル (L_{WA})	102.1 dB(A)
サウンドパワーレベルの不確実性 (K_{WA})	3 dB(A)
排出サウンドプレッシャーレベル (L_{pA})	91.1 dB(A)
サウンドプレッシャーレベルの不確実性 (K_{pA})	3 dB(A)

振動について

コンクリートへの回転 + 打撃の排出振動値 ($a_{h, HD}$)	12.1 m/s^2
金属への穿孔の排出振動値 ($a_{h, D}$)	2.8 m/s^2
振動値に対する不確実性 (K)	1.5 m/s^2

5 ご使用方法

<p>サイドハンドルを取り付ける</p> <p>⚠ 注意 負傷の危険！ 取り付けてあるが使用してはならないデブスゲージにより作業者の作業が妨げられる危険があります。 ▶ 本体からデブスゲージを取り外します。</p> <p>⚠ 注意 負傷の危険！ 製品のコントロールの喪失。 ▶ サイドハンドルが正しく取り付けられ、しっかりと固定されていることを確認してください。クランピングバンドが本製品の所定の溝にはまっていることを確認してください。</p>	2
<p>TE 2-M</p> <p>チャックを取り付ける / 取り外す 先端工具を装着する / 取り外す：SDS チャック</p>	3
<p>i 適切でないグリスを使用すると、製品の損傷の原因となることがあります。必ずHiltiの純正グリスを使用してください。</p>	4
<p>TE 2-M</p> <p>先端工具を装着する / 取り外す：キーレスチャック デブスゲージを調整する</p>	5
<p>i デブスゲージの最大長に常に注意してください。</p>	6
<p>回転 + 打撃 (打撃穿孔) </p>	7
<p>TE 2-S</p> <p>弱打撃 </p>	7
<p>TE 2 TE 2-S</p> <p>穿孔 </p>	7
<p>TE 2-M</p> <p>1速 または 2速 での穿孔</p>	7



⚠ 注意

損傷の危険 作動中の操作はギア部損傷の原因となることがあります。
 ▶ 作動中に正回転 / 逆回転切り替えスイッチを操作しないでください。

6 手入れと保守

⚠ 警告

感電による危険！ 電源プラグをコンセントに接続した状態で手入れや保守を行うと、重傷事故および火傷の危険があります。

▶ 手入れや保守作業の前に、必ず電源プラグをコンセントから抜いてください。

手入れ

- 強固に付着した汚れは慎重に除去してください。
- 通気溝を乾いたブラシで入念に清掃してください。
- ハウジングは必ず軽く湿らせた布で清掃してください。シリコンを含んだ清掃用具はプラスチック部品をいためる可能性があるので使用しないでください。

保守

⚠ 警告

感電による危険！ 電気部品の誤った修理は、重傷事故および火傷の原因となることがあります。

▶ 電気部品の修理を行うことができるのは、訓練された修理スペシャリストだけです。

- 目視確認可能なすべての部品について損傷の有無を、操作エレメントについては問題なく機能することを定期的に点検してください。
- 損傷および / または機能に問題のある場合は、本製品を使用しないでください。直ちにHilti サービスセンターに修理を依頼してください。
- 手入れおよび保守作業の後は、すべての安全機構を取り付けて機能を点検してください。



安全な作動のために、必ず純正のスペアパーツと消耗品を使用してください。本製品向けに弊社が承認したスペアパーツ、消耗品およびアクセサリーは、弊社営業担当またはHilti Store お問い合わせいただくか、あるいはwww.hilti.groupでご確認ください。

6.1 防じんカバーを交換する

▶ 防じんカバーを交換します。

7 搬送および保管

- 電動工具は先端工具を装着した状態で搬送しないでください。
- 電動工具は常に電源プラグを外して保管してください。
- 本体は、乾燥している場所に、子供や権限のない人が手を触れることのないようにして保管してください。
- 電動工具を長距離にわたって搬送したり長期にわたって保管した後は、使用前に損傷がないかチェックしてください。

8 故障時のヒント

この表に記載されていない、あるいはご自身で解消することのできない故障が発生した場合には、弊社営業担当またはHilti サービスセンターにご連絡ください。

8.1 故障時のヒント

故障	考えられる原因	解決策
本体が始動しない。	供給電源の遮断。	▶ 他の電動工具を接続して機能を点検する。



故障	考えられる原因	解決策
打撃がない。	本体温度が低すぎる。	▶ ロータリーハンマードリルを母材に接触させて、アイドル回転させる。打撃機構が始動するまでこれを繰り返す。
	機能切替スイッチが「回転のみ」に設定されている。	▶ 機能切替スイッチを「回転 + 打撃」の位置にする。
ロータリーハンマードリルがフルパワーにならない。	コントロールスイッチの握り込みが不十分。	▶ コントロールスイッチをストップ位置まで強く握り込む。
	TE 2-S	▶ 機能切替スイッチを「回転 + 打撃」の位置にする。
	機能切替スイッチを「弱打撃」に設定されている。	
	延長コードの導体断面積が不十分。	▶ 十分な導体断面積を持つ延長コードを使用する。
ドリルビットのロックが外れない。	チャックが完全に引き戻されていない。	▶ チャックロックスリーブをストップ位置まで引き戻し、先端工具を取り外す。
ドリルビットが切削しない。	本体が逆回転にセットされている。	▶ 本体を正回転にする。

9 廃棄

Hilti 製品の大部分の部品はリサイクル可能です。リサイクル前にそれぞれの部品は分別して回収されなければなりません。多くの国で Hilti は、古い電動工具をリサイクルのために回収しています。詳細については弊社営業担当または Hilti 代理店・販売店にお尋ねください。



- ▶ 電動工具、電子機器およびバッテリーを一般ゴミとして廃棄してはなりません！

10 RoHS (有害物質使用制限に関するガイドライン)

下記のリンクより、有害物質を記載した表を確認できます：qr.hilti.com/r3682、(TE 2)、qr.hilti.com/r3684 (TE 2-M) および qr.hilti.com/r3683 (TE 2-S)。

本書の最終ページに RoHS 表にリンクした QR コードがあります。

11 メーカー保証

- ▶ 保証条件に関するご質問は、最寄りの Hilti 代理店・販売店までお問い合わせください。

오리지널 사용 설명서

1 사용 설명서 관련 정보

1.1 본 사용 설명서에 관하여

- 처음 이 제품을 사용하기 전에 본 사용 설명서를 읽으십시오. 안전하게 작업하고 문제 없이 취급하기 위한 전제가 됩니다.
- 본 사용 설명서 및 제품에 나와 있는 안전상의 주의사항 및 경고 지침에 유의하십시오.
- 항상 제품에 있는 사용 설명서를 잘 보관하고 제품은 반드시 본 사용 설명서와 함께 다른 사람에게 전달하십시오.

1.2 기호 설명

1.2.1 경고사항

본 제품을 다루면서 발생할 수 있는 위험에 대한 경고사항. 다음과 같은 시그널 워드가 사용됩니다.



⚠ 위험

위험!

- ▶ 이 기호는 직접적인 위험을 표시합니다. 만약 지키지 않으면 심각한 부상을 당하거나 사망할 수도 있습니다.

⚠ 경고

경고!

- ▶ 이 기호는 잠재적인 위험을 표시합니다. 만약 지키지 않으면 심각한 부상을 당하거나 사망할 수도 있습니다.

⚠ 주의

주의!

- ▶ 이 기호는 잠재적인 위험 상황을 표시합니다. 만약 지키지 않으면 부상 또는 물적 손실을 입을 수 있습니다.

1.2.2 사용 설명서에 사용된 기호

본 사용 설명서에서 사용되는 기호는 다음과 같습니다.

	사용 설명서에 유의하십시오
	적용 지침 및 기타 유용한 사용정보
	재사용이 가능한 자재 취급방법
	전기 기기 및 배터리를 일반 가정의 쓰레기처럼 폐기해서는 안 됨

1.2.3 그림에 사용된 기호

다음과 같은 기호가 그림에 사용됩니다.

	이 숫자는 본 사용 설명서 첫 부분에 있는 해당 그림을 나타냅니다.
	그림에 매겨진 번호는 중요한 작업 순서 또는 작업 순서에 중요한 부분을 나타냅니다. 텍스트에 해당 작업 순서 또는 해당 번호가 매겨진 부품이 강조 표시됩니다(예: (3)).
	항목 번호는 개요 그림에서 사용되며 제품 개요 단락에 나와 있는 기호 설명 번호를 나타냅니다.
	이 표시는 제품을 다룰 때, 특별히 주의할 사항을 나타냅니다.

1.3 제품 관련 기호

1.3.1 제품에 사용된 기호

다음과 같은 기호가 제품에 사용됩니다.

	함마링 컷아웃
	타격하여 드릴링(함마드릴링)
	함마링 컷아웃, 1단
	함마링 컷아웃, 2단
	정밀 함마링
	정회전/역회전
n_0	무부하 회전속도
/min	분당 회전수





1.4 제품 정보

Hilti 제품은 전문가용으로 설계되어 있으며, 허가받은 자격을 갖춘 작업자만 조작, 정비 및 수리할 수 있습니다. 이 기술자는 발생할 수 있는 위험에 대해 특별 교육을 받은 상태여야 합니다. 교육을 받지 않은 사람이 제품을 부적절하게 취급하거나 규정에 맞지 않게 사용할 경우에는 기기와 그 보조기구에 의해 부상을 당할 위험이 있습니다.

형식 명칭 및 일련 번호는 형식 라벨에 제시되어 있습니다.

- ▶ 일련 번호를 다음의 표에 옮기십시오. 대리점 또는 서비스 센터에 문의할 경우 제품 제원이 필요합니다.

제품 제원

로타리 함마 드릴	TE 2 TE 2-S TE 2-M
세대	02
일련 번호	

1.5 적합성 선언

폐사는 전적으로 책임을 지고 여기에 기술된 제품이 통용되는 기준과 규격에 일치함을 공표합니다. 적합성 증명서 사본은 본 문서 끝 부분에서 확인할 수 있습니다.

기술 문서는 이곳에 기술되어 있습니다.

Hilti Entwicklungsgesellschaft mbH | Zulassung Geräte | Hiltistraße 6 | 86916 Kaufering, DE

2 안전

2.1 전동 공구에 대한 일반적인 안전상의 주의사항

⚠ 경고 해당 전동 공구와 함께 동봉된 모든 안전상의 주의 사항, 지침, 그림 및 기술자료를 숙지하십시오. 다음과 같은 지침 내용을 준수하지 않으면 전기 충격, 화재가 발생하거나 그리고/또는 중상을 입을 수 있습니다. 앞으로 모든 안전상의 주의사항과 지침을 보관하십시오.

안전상의 주의사항에서 사용되는 "전동 공구"라는 개념은 전원에 연결하여 사용하는 전동 공구(전원 케이블 있음) 또는 배터리를 사용하는 전동 공구(전원 케이블 없음)를 의미합니다.

작업장 안전수칙

- ▶ 작업장을 항상 깨끗이 하고 조명이 잘 들도록 하십시오. 어수선한 작업환경 또는 어두운 작업장은 사고를 초래할 수 있습니다.
- ▶ 인화성 액체, 가스 또는 먼지가 있어 폭발 위험이 있는 환경에서는 전동 공구를 사용하지 마십시오. 전동 공구는 먼지나 증기를 점화시킬 수 있는 스파크를 일으킵니다.
- ▶ 전동 공구를 사용할 때, 어린이들이나 다른 사람들이 작업장에 접근하지 못하도록 하십시오. 다른 사람의 방해로 인해 기기를 통제하기 어렵습니다.

전기에 관한 안전수칙

- ▶ 전동 공구의 전원 플러그가 소켓에 잘 끼워져야 합니다. 플러그를 절대 변형시켜서는 안됩니다. 접지된 전동 공구와 함께 아답타 플러그를 사용하지 마십시오. 변형되지 않은 플러그와 적합한 소켓을 사용하면 감전의 위험을 줄일 수 있습니다.
- ▶ 파이프, 히터, 전기레인지, 냉장고와 같은 접지 표면에 신체 접촉을 피하십시오. 신체에 닿을 경우 감전될 위험이 높습니다.
- ▶ 전동 공구가 비에 맞지 않도록 하고 습한 장소에 두지 마십시오. 전동 공구에 물이 들어가면 감전될 위험이 높습니다.
- ▶ 전원 케이블만 잡고 전동 공구를 운반하거나 걸어 놓아서는 안되며, 소켓에서 전원 플러그를 빼낼 때 케이블만 잡은 채로 빼내지 마십시오. 전원 케이블이 열, 오일, 날카로운 모서리 또는 부품의 가동 부위에 접촉하지 않도록 주의하십시오. 손상되거나 서로 꼬인 전원 케이블은 감전 위험을 높입니다.
- ▶ 실외에서 전동 공구를 이용하여 작업할 때, 실외용으로 승인된 연장 케이블만 사용하십시오. 실외용 연장 케이블을 사용하면 감전의 위험을 줄여줍니다.
- ▶ 전동 공구를 습한 환경에서 사용하는 것을 피할 수 없을 경우, 누전 차단기를 사용하십시오. 누전 차단기를 사용하면 감전 위험을 줄일 수 있습니다.

사용자 안전수칙

- ▶ 신중하게 작업하십시오. 작업에 정신을 집중하고 전동 공구를 사용할 때 경솔하게 행동하지 마십시오. 피곤하거나 항정신성 약물, 술 또는 약물 복용시에는 전동 공구를 사용하지 마십시오. 전동 공구 사용 시 이에 유의하지 않을 경우 심각한 부상을 초래할 수 있습니다.



- ▶ 안전 장비를 갖추고 보안을 착용하십시오. 전동 공구의 종류와 사용에 따라, 먼지 보호 마스크, 미끄럼 방지용 안전 신발, 안전모 또는 귀마개 등과 같은 안전한 보호장비를 착용하면 부상의 위험을 줄일 수 있습니다.
- ▶ 실수로 기기가 작동하지 않도록 주의하십시오. 전동 공구를 전원 그리고/또는 배터리에 연결하기 전, 보관 또는 운반 전에 전동 공구가 스위치 OFF 상태인지 확인하십시오. 전동 공구 운반 시 스위치에 손가락을 대거나 스위치가 켜진 상태에서 전원을 연결하면 사고를 유발할 수 있습니다.
- ▶ 전동 공구의 스위치를 켜기 전, 조정공구 또는 렌치를 제거하십시오. 기기 회전부에 남아있는 공구나 렌치로 인해 부상을 입을 수 있습니다.
- ▶ 작업 시 비정상적인 자세는 피하십시오. 안전한 작업자세가 되도록 하고, 항상 균형을 유지하십시오. 이렇게 하여 예기치 않은 상황에서도 전동 공구를 잘 제어할 수 있습니다.
- ▶ 적합한 작업복을 착용하십시오. 험형한 복장이나 장식품을 착용하지 마십시오. 작동하는 기기 가동 부위에 머리, 옷 그리고 장갑이 가까이 닿지 않도록 주의하십시오. 험형한 복장, 장식품 혹은 긴 머리가 가동 부위에 말려 들어갈 수 있습니다.
- ▶ 먼지 제거장치나 수거장치를 설치할 수 있는 기기의 경우, 이 장치들이 연결되어 있는지 그리고 제대로 작동하는지를 확인하십시오. 먼지 포집장치 사용은 먼지로 인한 위험을 줄여줄 수 있습니다.
- ▶ 이 전동 공구를 여러번 사용해왔다고 해서 안전하다고 안심하지 말고 전동 공구에 해당하는 안전 규칙을 무시하지 마십시오. 부주의하게 행할 경우 아주 짧은 순간에 중상을 입을 수 있습니다.

전동 공구의 취급과 사용

- ▶ 기기에 과부하가 걸리지 않도록 하십시오. 귀하의 작업에 적합한 전동 공구를 사용하십시오. 적합한 전동 공구를 사용하면, 지정된 성능 한도 내에서 더 효율적으로 안전하게 작업할 수 있습니다.
- ▶ 스위치가 고장난 전동 공구는 사용하지 마십시오. 스위치가 작동되지 않는 전동 공구는 위험하므로, 반드시 수리를 해야 합니다.
- ▶ 기기 세팅을 실행, 액세서리를 교환 또는 기기를 보관하기 전에 컨택터를 전원소켓에서 그리고/또는 탈착식 배터리를 기기에서 빼놓으십시오. 이러한 조치는 실수로 전동 공구가 작동하지 않도록 방지합니다.
- ▶ 사용하지 않는 전동 공구는 어린이들의 손이 닿지 않는 곳에 보관하십시오. 기기 사용에 익숙치 않거나 또는 이 안전수칙을 읽지 않은 사람이 기기를 사용해서는 안 됩니다. 비숙련자가 전동 공구를 사용하면 위험합니다.
- ▶ 전동 공구 및 액세서리를 유의해서 관리하십시오. 기기의 가동 부위가 완벽하게 작동하는지, 끼어 있지 않은지, 혹은 부품이 손상되거나 파손되어 있어 전동 공구의 기능을 저하시키지 않는지 점검하십시오. 기기 사용 전 손상된 부품을 수리하도록 하십시오. 제대로 관리되지 않은 전동 공구는 많은 사고를 유발합니다.
- ▶ 절단기기는 날카롭고 깨끗하게 관리하십시오. 날카로운 절단면이 있고 잘 관리된 절단기기는 끼이는 경우가 드물고 조절하기도 쉽습니다.
- ▶ 본 지침에 따라 전동 공구, 액세서리, 공구 비트 등을 사용하십시오. 이 때 작업 조건과 실시하려는 작업 내용을 고려하십시오. 원래 사용 분야가 아닌 다른 작업에 전동 공구를 사용할 경우, 위험한 상황을 초래할 수 있습니다.
- ▶ 손잡이 및 손잡이 표면은 건조하고 깨끗하게, 그리고 오일과 그리스가 묻어있지 않도록 해야 합니다. 미끄러운 손잡이 및 손잡이 표면은 예상치 못한 상황에서 전동 공구를 안전하게 조작하고 제어할 수 없습니다.

서비스

- ▶ 전동 공구는 반드시 자격을 갖춘 전문가에 의해 그리고 순정 대체부품만 이용하여 수리해야 합니다. 이렇게 하여 전동 공구의 안전성을 계속해서 유지할 수 있습니다.

2.2 해머에 대한 안전상의 주의사항

모든 작업에 대한 안전상의 주의사항

- ▶ 귀마개를 착용하십시오. 극심한 소음은 청각 상실을 유발할 수 있습니다.
- ▶ 기기와 함께 공급된 보조 손잡이를 사용하십시오. 기기를 제어하지 못하면 부상을 입을 수 있습니다.
- ▶ 공구 비트가 숨겨진 전선이나 기기 자체의 전원 케이블과 접촉할 수 있는 작업을 할 경우, 항상 기기의 절연된 손잡이 부분을 잡으십시오. 전류가 흐르는 전선과 접촉하면 전동공구의 금속 부위를 통해 감전이 될 수도 있습니다.

긴 드릴 사용 시 안전상의 주의 사항

- ▶ 드릴 작업은 항상 낮은 속도로 드릴이 공작물에 닿은 상태로 시작하십시오. 더 높은 속도로 작업하는 경우 드릴이 공작물에 닿지 않은 상태에서 회전하면 쉽게 구부러져 부상을 입을 수 있습니다.
- ▶ 과도한 힘을 가하지 말고 드릴이 작동하는 방향으로만 힘을 가하십시오. 드릴이 휘어져 파손되거나 통제력을 잃어 부상을 유발할 수 있습니다.



2.3 그 외의 안전상의 주의사항

사용자 안전수칙

- ▶ 공구를 변조하거나 개조해서는 절대로 안됩니다.
- ▶ 손잡이는 건조하고 깨끗하게, 그리고 오일과 그리스가 묻어있지 않도록 해야 합니다.
- ▶ 측면 손잡이가 정확하게 설치되고 올바르게 고정되어 있는지 확인하십시오.
- ▶ 손가락의 혈액순환이 잘 되도록 하기 위해 휴식시간 동안 손가락 운동을 하십시오.
- ▶ 본 기기는 교육을 받지 않은 약자가 사용할 수 없습니다.
- ▶ 어린이의 손에 닿지 않는 곳에 보관하십시오.
- ▶ 회전하는 부품에 접촉하지 않도록 하십시오. 기기를 작업장으로 가져온 후에 기기의 스위치를 켜십시오. 회전하는 부품들, 특히 회전하는 공구들에 접촉하면 부상을 당할 수 있습니다.
- ▶ 전원 케이블과 연장 케이블이 항상 기기 뒤쪽을 향하도록 하십시오. 이는 작업 중 케이블로 인해 걸려 넘어지는 위험을 감소시킵니다.
- ▶ 납이 함유된 도료, 일부 목재, 콘크리트/조적벽돌/수정을 함유한 암석 및 금속과 같은 광물질로부터 나오는 먼지는 건강에 해로울 수 있습니다. 먼지를 흡입하거나 만질 경우, 사용자 또는 근처에 있는 사람에게 기관지 질환이나 알레르기 반응이 나타날 수 있습니다. 딱딱나뭇잎 입자 또는 너도밤나무 입자와 같은 특정 종류의 먼지는 특히 목재 처리용으로 사용하는 첨가제(크롬산염, 목재 부식 방지제)와 결합하여 암을 일으킬 수 있습니다. 석면 물질은 전문가에서만 다룰 수 있습니다. 가능하면 먼지 포집장치를 사용하십시오. 먼지 포집장치의 효율성을 높이려면, 적합한 이동식 먼지 흡입기를 사용하십시오. 먼지의 종류에 따라 필요 시 보호마스크를 착용하십시오. 작업공간을 충분히 환기시키십시오. 가공할 재료에 적용되는 국가별 규정에 유의하십시오.
- ▶ 전원공급이 중단되었을 경우 기기를 스위치 **OFF**하고 전원 플러그를 빼내십시오. 경우에 따라 컨트롤 스위치의 로크를 푸십시오. 이는 전원이 다시 공급되었을 때 기기가 갑자기 시동되는 것을 방지하기 위함입니다.
- ▶ 천공 작업 시, 작업할 부분의 반대편이 안전하도록 조치를 취하십시오. 천공 시 발생하는 분쇄물이 빠져 나 오거나 또는 떨어지면서 다른 사람이 부상을 입을 수 있습니다.
- ▶ 국가별 작업 안전 주의사항에도 유의하십시오.

전기에 관한 안전수칙

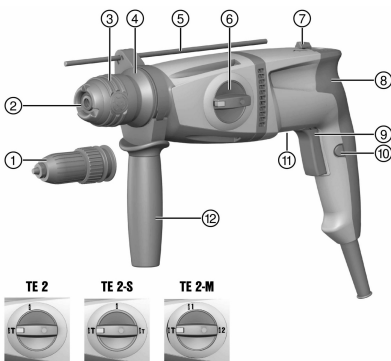
- ▶ 작업을 시작하기 전에, 가려져 있거나 덮혀 있는 전기 배선, 가스 파이프 그리고 하수도관이 있는지를 예를 들어, 금속 탐지기 등을 이용하여 점검하십시오. 예를 들어 실수로 전기 배선을 손상시켰을 때, 기기 외부의 금속부분에 전기가 흐를 수 있습니다. 이는 전기 쇼크로 인한 심각한 위험이 발생할 수 있음을 의미합니다.
- ▶ 기기의 연결 케이블을 정기적으로 점검하고, 손상이 있을 경우 자격을 갖춘 전문가가 교환하도록 하십시오. 전동공구의 전원 케이블이 손상되었을 경우, 서비스 센터에서 판매되는 승인된 기기 전용 전원 케이블로 교체하십시오. 연장 케이블을 정기적으로 점검하고, 손상되었을 경우 이를 교체하십시오. 작업하는 동안 전원 케이블이나 연장 케이블이 손상되었을 경우에는 절대로 케이블을 만지지 마십시오. 전원 플러그를 소켓에서 빼십시오. 손상된 전원 케이블과 연장 케이블은 전기 쇼크로 인한 위험을 유발할 수 있습니다.

개인별 안전

- ▶ 보호장갑을 착용하십시오. 로터리 함마 드릴 작동 시 열이 발생할 수 있습니다. 공구 교체 시 공구에 닿으면 절단으로 인한 부상 및 화상을 입을 수 있습니다.

3 제품 설명

3.1 제품 개요 1



- ① 3단 조 척 (TE 2-M)
- ② 더스트 캡
- ③ 척 아답터
- ④ 비트 소켓 로크 (TE 2-M)
- ⑤ 깊이 게이지
- ⑥ 기능 선택 스위치
- ⑦ 정회전/역회전 스위치
- ⑧ 손잡이
- ⑨ 컨트롤 스위치
- ⑩ 제품 버튼
- ⑪ 형식 라벨
- ⑫ 측면 손잡이



3.2 규정에 맞는 사용

기술된 제품은 전동식으로 작동되는 로터리 함마 드릴입니다. 본 제품은 콘크리트, 조적벽돌, 석고 보드, 목재, 플라스틱 그리고 금속에서의 드릴링 작업과 볼트를 체결하고 푸는 작업에 적합합니다.

▶ 형식 라벨에 제시되어 있는 정격 전압과 정격 주파수로만 기기를 작동시켜야 합니다.

3.3 공급품목

로터리 함마 드릴, 사이드 핸들, 깊이 게이지, 사용 설명서.

해당 제품에 허용되는 기타 시스템 제품은 **Hilti Store** 또는 온라인에서 확인할 수 있습니다. www.hilti.group

| 미국: www.hilti.com

4 기술자료

정격 전압, 정격 전류, 주파수 그리고/또는 정격 출력은 국가별 형식 라벨을 참조하십시오.

발전기 또는 변압기에서 작동할 경우, 발전기 및 변압기의 공급출력이 본 기기의 형식 라벨에 적힌 정격 출력보다 최소 두 배 이상 높아야 합니다. 변압기 및 발전기의 작동 전압은 항상 기기의 정격 전압의 +5% ~ -15% 사이에 위치해야 합니다.

	TE 2	TE 2-S	TE 2-M
EPTA-Procedure 01에 따른 무게	2.7kg	2.7kg	2.9kg
콘크리트/벽돌 드릴링 범위(함마 드릴)	4mm ... 22mm	4mm ... 22mm	4mm ... 22mm
목재 드릴링 범위(드릴)	1	4mm ... 20mm	4mm ... 20mm
	2	•/•	•/•
금속 천공 직경(드릴)	1	3mm ... 13mm	3mm ... 13mm
	2	•/•	•/•
깊이 게이지 최대 길이	180mm	180mm	180mm

4.1 EN 62841에 따른 소음 정보 및 진동값

이 치함에 제시된 음압 및 진동수준은 표준화된 측정방법에 따라 측정된 것이며, 전동 공구를 서로 비교하기 위한 용도로 사용할 수 있습니다. 음압 및 진동 수준은 노출 정도를 사전에 예측하는 데에도 유용하게 사용할 수 있도록 설계되어 있습니다.

제시된 데이터는 전동 공구의 주된 용도를 나타냅니다. 그러나 전동 공구를 다른 용도로 사용하거나 다른 공구 비트를 사용할 경우 또는 유지보수를 충분히 하지 않은 상태에서는 데이터에 편차가 있을 수 있습니다. 이러한 경우 전 작업시간에 걸쳐 노출이 현저하게 증가할 수 있습니다.

노출을 정확하게 평가하기 위해서는 전동 공구 작동이 멈춰 있거나 또는 작동 중이지만 실제로 사용하지 않는 시간도 고려해야 합니다. 이러한 경우 전 작업시간에 걸쳐 노출이 현저하게 감소할 수 있습니다.

사용자를 보호하기 위해 음파 그리고/또는 진동이 작용하기 전에 다음과 같은 추가적인 안전 조치를 취하십시오. 전동 공구와 공구 비트의 유지보수, 손을 따뜻하게 유지, 작업순서 정하기 등.

소음 정보

소음 수준 (L_{WA})	102.1dB(A)
소음 출력 수준 허용공차 (K_{WA})	3dB(A)
음압 수준 (L_{pA})	91.1dB(A)
소음 수준 허용공차 (K_{pA})	3dB(A)

진동 정보

콘크리트에서의 로터리 함마 드릴 진동 배출값 ($a_{n, HD}$)	12.1m/s ²
금속에서의 드릴 작업 진동 배출 값 ($a_{n,D}$)	2.8m/s ²
명시된 진동값에 대한 허용공차 (K)	1.5m/s ²



5 조작

<p>측면 손잡이 조립</p> <p>⚠ 주의</p> <p>부상위험! 장착되어 있기는 하지만 사용하지 않는 깊이 게이지로 인한 사용자 방해 위험.</p> <p>▶ 기기에서 깊이 게이지를 제거하십시오.</p> <p>⚠ 주의</p> <p>부상위험! 제품에 대한 제어력 상실.</p> <p>▶ 측면 손잡이가 정확하게 설치되고 올바르게 고정되어 있는지 확인하십시오. 제품의 지정된 홈에 조임 밴드가 있는지에 확인하십시오.</p>	2
TE 2-M	3
<p>척 아답타 장착/분리</p> <p>공구 삽입/분리: SDS 척 아답타</p> <p>i 적합하지 않은 그리스를 사용하면 제품이 손상될 수 있습니다. Hilti의 순정 그리스만 사용하십시오.</p>	4
TE 2-M	5
<p>공구 삽입/분리: 신속 교환식 척</p> <p>깊이 게이지 조정</p> <p>i 깊이 게이지 최대 길이에 유의하십시오.</p>	6
타격하여 드릴링(함마드릴링) ⚡	7
TE 2-S	7
정밀 함마링 ⚡	
TE 2 TE 2-S	7
드릴 작업 ⚡	
TE 2-M	7
1단 드릴링 ⚡ 또는 2단 드릴링 ⚡	
정회전/역회전	8
<p>⚠ 주의</p> <p>손상 위험 작동 중에 조작하면 기기 손상으로 이어질 수 있습니다.</p> <p>▶ 모터 작동 중에는 정/역회전 스위치를 작동시키지 마십시오.</p>	

6 관리 및 유지보수

⚠ 경고

감전 위험! 전원 플러그가 삽입된 상태에서 관리 및 수리 작업을 진행하면 중상 및 화상을 입을 수 있습니다.

▶ 관리 및 수리 작업을 진행하기 전에 항상 전원 플러그를 분리하십시오!

관리

- 공구에 부착된 오염물질을 조심스럽게 제거하십시오.
- 마른 솔로 환기 홈을 조심스럽게 청소하십시오.
- 하우징은 약간 물을 적신 천으로만 닦으십시오. 플라스틱 부품을 손상시킬 수 있으므로 절대로 실리콘이 함유된 보호제를 사용하지 마십시오.



경고

감전으로 인한 위험! 전기 구성부품에서 부적절하게 수리하면 중상을 입거나 화재를 야기할 수 있습니다.

▶ 전기 부품은 반드시 전기 기술자가 수리하도록 해야 합니다.

- 눈에 보이는 모든 부품은 정기적으로 손상 여부를 점검하고 조작 요소가 아무 문제없이 작동하는지 점검하십시오.
- 손상되었거나 기능 장애가 있는 경우에는 제품을 작동하지 마십시오. 바로 Hilti 서비스 센터에서 수리받으십시오.
- 관리 및 수리 작업 후 모든 보호장치를 가져와 기능을 점검하십시오.

i 안전한 사용을 위해서 순정 예비 부품 및 소모품만을 사용하십시오. 해당 제품에 허용되는 예비 부품, 소모품 및 액세서리는 Hilti Store 또는 www.hilti.group에서 확인할 수 있습니다.

6.1 더스트 캡 교체

▶ 더스트 캡을 교체하십시오.

7 운반 및 보관

- 전동공구는 공구가 끼워진 상태에서 운반하지 마십시오.
- 전동공구는 항상 전원 플러그를 당긴 상태로 보관하십시오.
- 기기는 건조한 상태로 보관하고 어린이 및 허용되지 않는 사람의 손에 닿지 않도록 하십시오.
- 전동공구를 장시간 운반 또는 보관한 후에는 사용하기 전에 손상 여부를 점검하십시오.

8 문제 발생 시 도움말

본 도표에 제시되어 있지 않거나 스스로 해결할 수 없는 문제가 발생한 경우 Hilti 서비스 센터에 문의해 주십시오.

8.1 고장 시 대책

장애	예상되는 원인	해결책
기기가 작동하지 않음.	전력 공급이 중단됨.	▶ 다른 전동공구를 끼워 기능을 점검하십시오.
타격이 되지 않음.	기기 과냉 상태.	▶ 로터리 함마 드릴을 바닥에 두고 공회전 상태로 작동시키십시오. 필요한 경우 함마링 장치가 작동될 때까지 과정을 반복하십시오.
	"함마링 컷아웃"에 놓인 기능 선택 스위치	▶ 기능 선택 스위치를 "함마드릴링" 위치에 두십시오
로터리 함마 드릴이 전출력으로 작동되지 않음.	컨트롤 스위치가 완전히 눌러지지 않음.	▶ 컨트롤 스위치를 완전히 끝까지 누르십시오.
	TE 2-S 기능 선택 스위치를 "정밀 함마링" 위치에 두십시오	▶ 기능 선택 스위치를 "함마드릴링" 위치에 두십시오
	연장 케이블의 단면적이 너무 작음.	▶ 전기도선의 단면적이 충분히 큰 연장 케이블을 사용하십시오.
드릴이 잠금상태에서 풀리지 않음.	척 아답타를 완전히 뒤로 당기지 않았음.	▶ 공구 잠금장치를 스톱 위치까지 뒤로 당겨 공구를 빼내십시오.
드릴 작업이 진행되지 않음.	기기가 역회전 위치에 맞추어져 있음.	▶ 기기를 정회전 위치로 맞추십시오.

9 폐기

Hilti 기기는 대부분 재사용이 가능한 소재로 제작되었습니다. 재활용을 위해 개별 부품을 분리하여 주십시오. Hilti는 대부분의 국가에서 재활용을 위해 노후기기를 수거해 갑니다. Hilti 고객 서비스센터 또는 판매 담당자에게 문의하십시오.





- ▶ 전동 공구, 전자식 기기 및 배터리를 일반 가정 쓰레기로 폐기하지 마십시오!

10 RoHS (유해물질 사용 제한 지침)

아래 도표에서 유해물질에 관한 도표를 확인할 수 있습니다. qr.hilti.com/r3682, (TE 2), qr.hilti.com/r3684 (TE 2-M) 및 qr.hilti.com/r3683 (TE 2-S).

RoHS 도표로 이어지는 링크는 본 문서 끝에 QR 코드 형식으로 제시되어 있습니다.

11 제조회사 보증

- ▶ 보증 조건에 관한 질문사항은 현지 Hilti 파트너사에 문의하십시오.

原始操作說明

1 關於操作說明的資訊

1.1 關於此文件

- 初次使用前，請詳讀本操作說明。這是安全作業和使用無虞的先決條件。
- 請遵守本操作說明中與產品上的安全說明和警告。
- 操作說明應與產品一起保管，產品交予他人時務必連同本操作說明一併轉交。

僅適用於台灣

進口商: 喜利得股份有限公司

地址: 新北市板橋區

新站路16號24樓22041

電話: 0800-221-036

1.2 已使用的符號解釋

1.2.1 警告

警告您在操作或使用本產品時可能發生之危險。採用了以下標示文字：



危險

危險！

- ▶ 此標語警示會發生對人造成嚴重傷害甚至致死的危險情形。



警告

警告！

- ▶ 此標語警示會造成嚴重傷害甚至致死危險的潛在威脅。



注意

注意！

- ▶ 請小心會造成人員受傷或對設備及其他財產造成損害的潛在危險情況。

1.2.2 操作說明中的符號

本操作說明中採用以下符號：



請遵照操作說明



使用說明與其他資訊



處理可回收的材料





不可將電子設備與電池當作家庭廢棄物處置

1.2.3 圖解中的符號

圖解中採用了以下符號：

2	號碼對應操作說明的開始處的圖解。
3	圖解中的編號表示重要的工作步驟或對工作步驟重要的元件。在文字中，這些工作步驟或元件以對應的數字明顯顯示，例如 (3) 。
11	概覽圖解中使用位置編號，方便您對應到 產品概覽 段落中的圖例編號。
	本符號是為了讓您在操作本產品時可以注意某些重點。

1.3 產品專屬符號

1.3.1 產品上的符號

產品上採用下列符號：

	鑽孔時無鎚擊動作
	以鎚擊動作進行鑽孔（鎚擊鑽孔）
	無鎚擊鑽孔，1檔
	無鎚擊鑽孔，2檔
	輕鎚擊動作
	正轉 / 逆轉
n_0	無負載下的額定速率
/min	每分轉數
	防護等級II（雙重絕緣）

1.4 產品資訊

Hilti 產品係供專業人士使用。僅能由經過授權與訓練的人員進行操作、維護及保養。必須告知上述人員關於可能遭遇到的特殊危險。若因未經訓練人員操作錯誤或未依照其原本的用途操作，則本產品和它的輔助工具設備有可能會發生危險。

類型名稱和序號都標示於額定銘牌上。

- 在下方表格中填入序號。與 Hilti 維修中心或當地 Hilti 機關聯絡查詢產品相關事宜時，我們需要您提供產品詳細資訊。

產品資訊

旋轉鎚	TE 2 TE 2-S TE 2-M
產品代別	02
序號	

1.5 符合聲明

基於我們唯一的責任，本公司在此聲明本產品符合適用的指示或標準。本文件結尾處有符合聲明之副本。

技術文件已歸檔：

Hilti Entwicklungsgesellschaft mbH | Tool Certification | Hiltistrasse 6 | 86916 Kaufering, Germany



2 安全性

2.1 一般電動機具安全警告

⚠ 警告 請詳閱本電動機具提供的所有安全警告、指示、圖解和說明。未能遵守以下所有指示可能會造成電擊事故、火災和/或嚴重的傷害。

妥善保存所有警示及說明，以供將來參考。

注意事項中的「機具」係指使用電源（有線）或電池（無線）的電動機具。

工作區域安全

- ▶ 請保持工作區的清潔與採光充足。雜亂而昏暗的工作區會導致意外發生。
- ▶ 勿在容易發生爆炸的環境中使用機具，例如有可燃性液體、瓦斯或粉塵存在的環境。機具產生的火花可能會引燃塵埃或煙霧。
- ▶ 操作機具時，請與兒童及旁人保持距離。注意力不集中時容易發生失控的情形。

電力安全

- ▶ 機具插頭與插座須能互相搭配。勿以任何方式改裝插頭。勿將任何變壓器插頭和與地面接觸（接地）的電動機具搭配使用。未經改裝的插頭以及能互相搭配的插座可減少發生電擊的危險。
- ▶ 避免讓身體接觸到如管線、散熱器、爐灶與冰箱等與土地或地表接觸之物品。如果您的身體接觸到地表或地面，將增加電擊的危險。
- ▶ 請勿將機具曝露在下雨或潮濕的環境中。若水氣進入機具中將增加觸電的危險。
- ▶ 勿濫用電纜線。勿以電纜線吊掛、拖拉機具或拔下機具插頭。電纜線應避開熱氣、油、銳利的邊緣或移動性零件。電纜線損壞或纏繞會增加發生電擊事故的危險。
- ▶ 於室外操作機具時，須使用適用於戶外的延長線。使用適合戶外使用的延長線可降低觸電的風險。
- ▶ 如果無法避免在潮濕的地點操作機具，請使用漏電斷路器（RCD）保護電源供應器。使用漏電斷路器（RCD）可降低電擊的風險。

人員安全

- ▶ 操作機具時，請提高警覺，注意進行中的工作並善用常識。感到疲勞或受到藥物、酒精或治療的影響時勿使用機具。操作機具時稍不留神就可能造成嚴重的人員傷亡。
- ▶ 穿戴個人防護裝備。請隨時穿戴眼罩。適當使用防塵面罩、防滑鞋、安全帽及耳罩等安全防護配備可減少人員的傷害。
- ▶ 避免不經意的啟動。在接上電源或電池組、抬起或攜帶機具之前，務必確認開關處於關閉的位置。攜帶機具時，如果把手指放在開關上，或在開關開啟時，將機具插上插頭容易發生意外。
- ▶ 啟動機具前，應將所有調整鑰匙或扳手移開。將扳手或鑰匙留在機具的旋轉零件中可能會造成人員傷害。
- ▶ 勿將手伸出過遠。隨時站穩並維持平衡。這可讓您在意外情況發生時，對機具有較好的控制。
- ▶ 穿著適當服裝。請勿穿著寬鬆的衣服或佩戴珠寶。頭髮、衣服與手套應遠離移動性零件。移動性零件可能會夾到寬鬆的衣服、珠寶或長髮。
- ▶ 如果機具可連接吸塵裝置與集塵設備，請連接並適當使用這些設備。使用集塵裝置可降低與粉塵有關的危險。
- ▶ 請勿因頻繁而習慣使用機具便疏於遵守或忽略機具的安全規範。草率使用可能在轉眼間便造成嚴重的傷害。

機具使用與保養

- ▶ 不可強制使用機具。依據用途使用正確的機具。根據設計的速率使用機具可更快速安全地完成工作。
- ▶ 若開關無法啟動或關閉電動工具時，請勿使用電動工具。任何無法以開關控制的機具都很危險且需要維修。
- ▶ 在進行任何調整、更換配件、或貯放電動機具前，請先將插頭拔離插座和/或將電池組自電動機具卸下（如可拆卸）。此預防安全措施可降低機具意外啟動的風險。
- ▶ 將閒置的機具貯放在兒童拿不到的地方，勿讓不熟悉或未詳閱本說明的人員操作本機具。機具在未經訓練的使用者手中是很危險的。
- ▶ 維護機具與配件。請檢查移動性零件有無偏移或黏合的情形、零件有無破損，以及任何會影響機具運轉的狀況。如果機具受損，請先維修後再使用。很多意外便是由維護不當的機具造成的。
- ▶ 保持切割機具的銳利與清潔。具銳利切割邊緣的切割機具如果得到適當的維護，便較不會發生黏合的現象，且較容易控制。
- ▶ 遵守本指示說明使用機具、配件和工具組等，並考量工作條件與待進行的工作。將機具用在原目的之外用途可能會造成危險。
- ▶ 保持握把與其表面的乾燥、清潔且不要讓上面出現油漬。握把及其表面濕滑會在意外情況中造成機具無法安全掌控。

維修服務

- ▶ 請將機具交給合格的維修人員進行維修，並使用相同的替代零件。這可確保維護機具安全。



2.2 電錘的安全注意事項

各種工作的安全操作說明

- ▶ 請配戴耳罩。暴露於噪音環境下會導致聽力受損。
- ▶ 請使用機具隨附的輔助握把。機具失控可能會導致人員受傷。
- ▶ 當所進行的工作，配件工具可能會碰觸到隱藏配線或其自身的電線時，請在操作時握住機具的絕緣握把。若配件工具接觸帶電線路，機具暴露在外的金屬零件也會通電，造成操作員觸電。

使用長鑽頭的安全操作說明

- ▶ 請務必讓鑽頭在接觸工件的狀態下以低速開始鑽孔。在未與工件接觸的情況下，若鑽頭以高於其最大允許轉速的速度旋轉，可能會發生輕微的曲度，這可能會導致人員受傷。
- ▶ 請勿對鑽頭施加過大的壓力，僅能沿著鑽頭的縱向軸施加壓力。鑽頭可能會彎曲並隨後破裂或導致失控，進而造成人員傷害。

2.3 其他安全指示

人員安全

- ▶ 不可改裝本機具。
- ▶ 請保持握把的乾燥與清潔，不要讓上面出現油漬。
- ▶ 檢查側向握把是否正確安裝且緊固。
- ▶ 請在工作中的休息時間放鬆雙手並運動手指，以改善手指的血液循環。
- ▶ 本機具不應由未受特殊訓練且疲憊不堪的人員使用。
- ▶ 將機具放在兒童拿不到的地方。
- ▶ 避免接觸旋轉中的零件。將機具移到工件位置後再開啟電源。碰觸旋轉零件，特別是旋轉的鑽頭或其他配件，會導致受傷。
- ▶ 工作進行時，將電源線及延長線移開機具，並拉至後方。這有助於避免工作時被電線絆倒。
- ▶ 像是含鉛塗料、部份木材、含矽混凝土 / 石材 / 石頭、礦物與金屬等基材所產生的粉塵可能對人體有害。操作人員與旁觀者接觸或吸入粉塵可能會引起過敏及 / 或造成呼吸問題或其他疾病。像是橡木與山毛櫸木材的粉塵已列為致癌物質，尤其是當它們使用調濕塗料（鉻酸鹽、木材防腐劑）時。包含石綿之基材務必由專人處理。可能的話，請連接除塵系統。若要提高收集粉塵的效率，請使用適合的真空吸塵器。請依照指示，穿戴適合過濾工作粉塵的口罩。確保工作場所良好的通風。請依照國家法規處理您作業的基材。
- ▶ 若發生電力故障或電力供應中斷，請將該機具開關關閉，拔除電源線，然後鬆開鎖定扭（如適用）。此動作可避免當恢復供電時，機具不經意重新啟動的情形發生。
- ▶ 如果工作包括鑿穿作業，請於工件另一面採取適當防護措施。鑿穿的碎片會掉落並使他人受傷。
- ▶ 請遵守國家工業安全法規。

電力安全

- ▶ 開始工作前，請先檢查工作區域（例如使用金屬探測器）以確保工作場所是否有隱藏的電纜線、瓦斯管或水管。例如，當不小心損害電纜線時，機具外部的金屬零件可能會導電。這會大大增加發生電擊意外的危險。
- ▶ 請定期檢查機具的電源線，並於發現損壞時，請合格的電力專員更換。若電動機具電源線損壞，必須以Hilti維修服務中心所提供特別專用且認可的電源線更換。定期檢查延長線，並在發現損壞時予以更換。當機具運轉時，如果發現電源線或延長線受損，請勿碰觸。請將電源線插頭自插座拔除。受損的電源線或延長線可能會引發電擊事故。

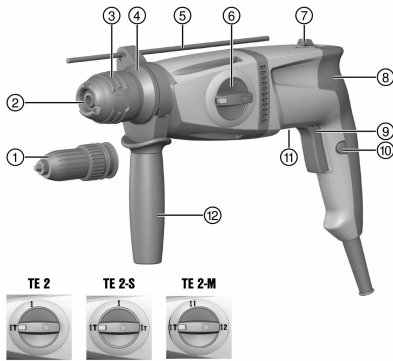
人員安全

- ▶ 佩戴防護手套。旋轉鏈使用時可能會變熱。在更換配件時若與之接觸會有受傷風險（割傷或燙傷）。



3 說明

3.1 產品總覽



- ① 三爪夾頭 (TE 2-M)
- ② 防塵罩
- ③ 夾頭
- ④ 夾頭鎖環 (TE 2-M)
- ⑤ 深度計
- ⑥ 功能選擇開關
- ⑦ 正轉 / 逆轉開關
- ⑧ 握把
- ⑨ 控制開關
- ⑩ 鎖定鈕
- ⑪ 機具額定銘牌
- ⑫ 側向握把

3.2 用途

本產品為電動旋轉鎚。本機具設計使用在混凝土、石材、鎖牆 / 石膏板、塑膠、木板及金屬的鑽孔作業，以及螺絲之裝卸作業。

► 本電動機具僅可連接符合型號辨識牌上所指定的電壓和電頻之電源進行操作。

3.3 配備及數量

旋轉鎚、側向握把、深度計、操作說明。

關於本產品，您可於當地 **Hilti Store** 或網站查詢其他經過認證可搭配使用的系統產品：www.hilti.group | 美國：www.hilti.com

4 技術資料



關於額定電壓、電流、頻率和 / 或輸入功率，請參照機具的特定國家型號識別牌。

如果要使用發電機或變壓器供電，必須至少能提供兩倍於機具額定銘板上標示的額定輸入值電力。發電機或變壓器的操作電壓必須隨時介於機具額定電壓+5%和-15%以內。

	TE 2	TE 2-S	TE 2-M
重量 (依據EPTA程序01)	2.7 kg	2.7 kg	2.9 kg
混凝土 / 石材鑽孔直徑範圍 (鎚擊鑽頭)	4 mm ... 22 mm	4 mm ... 22 mm	4 mm ... 22 mm
鑽孔直徑範圍 - 木材 (實心)	1	4 mm ... 20 mm	10 mm ... 20 mm
	2	•/•	•/•
鑽孔直徑範圍 - 金屬 (實心鑽頭)	1	3 mm ... 13 mm	8 mm ... 13 mm
	2	•/•	•/•
深度計的最大長度	180 mm	180 mm	180 mm

4.1 噪音資訊和震動值 (依據EN 62841)

操作說明中所提供之音壓和震動值已參照標準測量，並可用來比較不同機具之噪音。它們也可作為噪音量的初步評估。

提供之資料表示機具主要應用時之數值。若機具應用於不同之用途，搭配不同的配件工具或在保養不良的情況下，其數據會有所不同。在作業過程中，這會大幅提高其噪音量。

當電子機具關閉，或開啟但未進行任何作業時也應列入考量，才能準確評估噪音量。在作業過程中，這會大幅降低其噪音量。



確認其他安全措施，以保護操作員不受噪音和 / 或震動影響，例如：保養機具與其配件工具、操作前保持雙手溫暖、作業型式之安排等。

噪音資訊

聲功率級數 (L _{WA})	102.1 dB(A)
無法判定的聲功率級數 (K _{WA})	3 dB(A)
釋放的音壓級數 (L _{pA})	91.1 dB(A)
無法判定的音壓級數 (K _{pA})	3 dB(A)

震動資訊

混凝土鎚擊鑽孔時的震動噪音值 (a _{h, HD})	12.1 m/s ²
金屬鑽孔的震動噪音值 (a _{n, D})	2.8 m/s ²
無法判定的震動值 (K)	1.5 m/s ²

5 操作

<p>安裝側向握把</p> <p> 注意</p> <p>有受傷的危險！深度計（若有安裝但未使用）可能會阻礙操作。</p> <ul style="list-style-type: none"> 請將深度計自充機具卸下。 <hr/> <p> 注意</p> <p>有受傷的危險！本產品失控。</p> <ul style="list-style-type: none"> 檢查側向握把是否正確安裝且緊固。檢查夾緊帶是否與本產品的溝槽咬合。 	2
<p>TE 2-M</p> <p>安裝 / 移除夾頭</p> <p>安裝 / 拆下鑽頭或其他配件：SDS夾頭</p> <p> 使用不適合的潤滑劑可能會造成產品損壞。限使用Hilti提供的建議潤滑劑。</p>	3
<p>TE 2-M</p> <p>安裝 / 拆下鑽頭或其他配件：快拆式夾頭</p> <p>調整深度計</p> <p> 務必隨時注意深度計的最大長度。</p>	4
<p>以鎚擊動作進行鑽孔（鎚擊鑽孔）</p>	5
<p>TE 2-S</p> <p>輕鎚擊動作</p>	6
<p>TE 2</p> <p>TE 2-S</p> <p>鑽孔</p>	7
<p>TE 2-M</p> <p>以一檔鑽孔或以二檔鑽孔</p> <p>正轉 / 逆轉</p> <p> 注意</p> <p>損壞風險 機具運轉時調動旋轉方向會造成機具損壞。</p> <ul style="list-style-type: none"> 馬達運轉時，請勿操作正轉 / 逆轉開關。 	7
<p> 注意</p> <p>損壞風險 機具運轉時調動旋轉方向會造成機具損壞。</p> <ul style="list-style-type: none"> 馬達運轉時，請勿操作正轉 / 逆轉開關。 	8



6 維護及保養

警告

觸電危險！ 電源線仍連接到電源插座時進行維護和保養會造成嚴重的傷害或灼傷。

- ▶ 進行維護及保養前，請務必拔下電源線。

注意

- 仔細清除機具的頑強灰塵。
- 請使用乾燥的刷子小心清潔通風口。
- 僅能使用微濕軟布清潔外殼。勿使用含硅樹脂的清潔或亮光劑，因為可能會造成塑膠零件損壞。

維護

警告

電擊的風險！ 損壞的電子零件會造成嚴重的人員傷害及灼傷。

- ▶ 機具或設備電力部分的維修僅可交由訓練過的電力專員處理。

- 定期檢查外部零件和控制元件有無損壞跡象，並確認它們運作正常。
- 如果有損壞跡象或任何零件功能故障，請不要操作本產品。請將產品立刻交付Hilti維修中心進行維修。
- 清潔及保養後，裝上所有防護套或保護裝置並檢查功能是否正常。



為確保操作的安全及可靠性，請務必使用原廠Hilti備件與耗材。要選購Hilti認可的備件、耗材和配件，請至Hilti Store或網站：www.hilti.group。

6.1 更換防塵套

- ▶ 更換防塵套。

7 搬運和貯放

- 搬運電子機具時請勿安裝配件。
- 貯放電子機具或設備前請務必將電源線拔掉。
- 請將工具與設備貯放在乾燥且兒童或未授權的人員無法觸及的地點。
- 長時間搬運與貯放後請檢查電子機具或設備是否有損壞。

8 故障排除

若您遇到未列出的問題或是無法自行排除的問題，請聯絡Hilti維修中心。

8.1 故障排除

故障	可能原因	解決方法
機具無法啟動。	電源供應中斷。	▶ 將插頭插入另一電子機具或電器並檢查是否可啟動。
無銼鑽作業。	機具溫度太冷。	▶ 讓鑽頭尖端與工作面接觸，開啟旋轉銼使之旋轉。如果需要，請重複此程序直到銼擊機制開始運作。
	功能選擇開關設定至「僅旋轉鑽孔」	▶ 將功能選擇開關設定至「銼擊鑽孔」位置
旋轉銼未達充分電力。	未完全按下控制開關。	▶ 按壓控制開關直到可以運轉為止。
	TE 2-S	▶ 將功能選擇開關設定至「銼擊鑽孔」位置
	將功能選擇開關設定至「輕銼擊動作」	
	延長線導體的規格（截面積）不足。	▶ 使用有足夠導體截面積的延長線。
鑽頭無法鬆開。	夾頭未完全拉回。	▶ 將夾頭拉回直到移除機具為止。
鑽頭無法繼續鑽入。	機具設定成反轉。	▶ 將機具設定成正轉。



9 廢棄設備處置

Hilti 機具或設備所採用的材料大部分均可回收再利用。材料在回收前必須正確地分類。在許多國家中，您可以將舊機具及設備送回 Hilti 進行回收。詳情請洽 Hilti 維修中心，或當地 Hilti 代理商。



- ▶ 不可將電動工具、電動裝置和電池當成一般垃圾丟棄！

10 RoHS (有害物質限制指令)

下列連結可前往危險物質的表格：qr.hilti.com/r3682 (TE 2)、qr.hilti.com/r3684 (TE 2-M) 和 qr.hilti.com/r3683 (TE 2-S)。

您可在文件最後找到 QR 碼格式的 RoHS 表連結。

11 製造商保固

- ▶ 如果您對於保固條件有任何問題，請聯絡當地 Hilti 代理商。

Hilti Taiwan Co., Ltd.

24F., No. 16, Xinzhan Rd., Banqiao Dist., New Taipei City 220, Taiwan (R.O.C.)

Tel. 0800-221-036

原版操作說明

1 关于本操作说明的信息

1.1 关于本操作说明

- 首次使用或操作产品前，先阅读本操作说明。这是安全、无故障操作和使用产品的先决条件。
- 请注意本操作说明中以及产品上的安全说明和警告。
- 请务必将本操作说明与本产品保存在一起，确保将操作说明随产品一起交给他人。

1.2 所用标志的说明

1.2.1 警告

警告是为了提醒您在处理或使用此产品时会发生的危险。使用以下信号词：



-危险-

危险！

- ▶ 用于让人们能够注意到会导致严重身体伤害或致命的迫近危险。



-警告-

警告！

- ▶ 用于提醒人们注意可能导致严重或致命伤害的潜在危险。



-小心-

小心！

- ▶ 用于提醒人们注意可能造成人身伤害、设备损坏或其他财产损失的潜在危险情况。

1.2.2 操作说明中的符号

本操作说明中使用下列符号：



遵守操作说明



使用说明和其他有用信息



	处理可回收材料
	不得将电气设备和电池作为生活垃圾处置

1.2.3 图示中的符号

图示中使用了下列符号：

	这些编号指本操作说明开始处的相应图示。
	图示中的编号表示重要的操作步骤或对操作步骤重要的部件。这些操作步骤或部件在文本中使用相应的编号突出显示，例如 (3)。
	位置编号被用于概览图中并表示产品概览段落中的图例编号。
	这些符号旨在提醒您在操作本产品时要特别注意的某些要点。

1.3 取决于产品的符号

1.3.1 产品上的符号

产品上使用下列符号：

	不通过锤击作用钻孔
	通过锤击作用钻孔 (锤击钻孔)
	不带锤击作用的钻孔，1 档
	不带锤击作用的钻孔，2 档
	轻微的锤击作用
	正向/反向
n_0	无负荷下的额定转速
/min	每分钟转数
	保护等级 II (双重绝缘)

1.4 产品信息

Hilti 产品仅供用于专业用途，并且只能由经过授权和培训的人员操作、维护和保养。必须将任何可能的危险专门告知该人员。不按照既定用途使用或由未经培训的人员不正确地使用本产品及其辅助设备可能会带来危险。

型号名称和序列号印在铭牌上。

- 在下表中填写序列号。在联系 Hilti 维修中心或当地 Hilti 机构询问产品时，将要求您提供产品的详细信息。

产品信息

旋转电锤	TE 2 TE 2-S TE 2-M
分代号	02
序列号	

1.5 符合性声明

按照我们单方面的责任，我们声明本产品符合下列适用指令和标准：一致性声明副本位于本文档结尾处。技术文档在此处归档：

Hilti Entwicklungsgesellschaft mbH | Tool Certification | Hiltistrasse 6 | 86916 Kaufering, Germany



2.1 一般电动工具安全警告

警告 请阅读本电动工具随附的所有安全警告、说明、图示和技术规范。不遵守下列所有操作说明可能会导致电击、火灾和/或严重人身伤害。

请保存所有安全警告和操作说明，以供将来参考。

在所有下列的警告中术语“电动工具”指市电驱动(有线)电动工具或电池驱动(无线)电动工具。

工作区域安全

- ▶ 保持工作区域清洁和良好照明。杂乱和黑暗的区域容易导致事故。
- ▶ 不要在爆炸性环境中操作电动工具，例如有易燃液体、气体或灰尘。电动工具会产生可以点燃这些灰尘或烟雾的火花。
- ▶ 在操作电动工具时，要令儿童和旁观者远离工作现场。万一分心，可能会使您失去对电动工具的控制。

电气安全

- ▶ 电动工具(设备)插头必须匹配电源插座。切勿以任何方式改动插头。对于接地的电动工具(设备)，不要使用任何适配器插头。使用未经改动的插头和匹配的电源插座可以大大减少电击危险。
- ▶ 避免人体接触接地表面，如管道、散热片和冰箱。如果您的身体接地，则会增加电击危险。
- ▶ 不要将电动工具暴露在雨水或潮湿环境中。电动工具进水将会增加电击危险。
- ▶ 不要滥用电缆。切勿使用电缆运送、拉动或拔出电动工具。保持电缆远离高温、油、锋利边缘或运动部件。电缆损坏或缠绕会增加电击危险。
- ▶ 当在户外操作电动工具时，应使用经认可适合户外操作的加长电缆。使用适合户外使用的电缆可减少电击危险。
- ▶ 如果在潮湿环境下操作电动工具是不可避免的，应使用剩余电流动作保护器(RCD)。使用RCD可减小电击危险。

人身安全

- ▶ 保持警觉，注意您正在进行的工作，并在操作电动工具的过程中，应利用自己的判断能力。当您疲劳或受到药物、酒精或医疗影响时，请不要使用电动工具。当操作电动工具时，瞬间的分心都可能导致严重的人身伤害。
- ▶ 使用个人防护装备。一定要戴上护目装置。安全装置，诸如适当条件下使用防尘面具、防滑安全鞋、安全帽、听力防护等装置能减少人身伤害。
- ▶ 防止电动工具意外启动。在连接至电源和/或电池组、拿起或搬运电动工具之前，应确保开关处于“关闭”位置。将手指放在开关上搬运电动工具或在开关处于“打开”位置时接通电源，都可能会导致事故发生。
- ▶ 在打开电动工具之前，必须拿掉任何调整键或扳手。让扳手或调整键留在电动工具的旋转部件上可能会导致人身伤害。
- ▶ 不要操之过急。应时刻保持正确的站姿和平衡。这在意外情况下能够更好地控制电动工具。
- ▶ 应确保正确着装。不要穿着松垮的衣服或佩戴首饰。让头发和衣服远离运动部件。松垮的衣服、首饰或长发会卡在运动部件中。
- ▶ 如果提供有用于连接除尘和集尘设施的装置，应确保将它们连接好并正确使用。使用除尘装置可以减少与灰尘相关的危险。
- ▶ 经常使用工具能令您获得较高的熟练度，但不能因此掉以轻心和忽视工具安全准则。一次不慎操作就会在瞬间导致重伤。

电动工具的使用和维护

- ▶ 不要强制使用电动工具。针对您的应用场合使用正确的电动工具。正确的电动工具在其额定设计值范围内将能够更好和更安全地工作。
- ▶ 如果通过开关不能使其打开和关闭，则请不要使用电动工具。任何不能通过开关进行控制的电动工具都是危险的，必须对其进行修理。
- ▶ 在进行任何调整、更换配件或存放电动工具之前，应从电源上断开插头和/或从电动工具上拆下电池组(若可拆卸)。此预防性安全措施可减少意外启动电动工具的危险。
- ▶ 将不用的电动工具存放在儿童拿不到的地方，并且不要让不熟悉电动工具或其操作说明的人员操作电动工具。未经培训的用户操作电动工具是危险的。
- ▶ 维护电动工具和配件。检查是否存在运动部件失调或卡滞、部件断裂和任何其它影响电动工具操作的情况。如果存在损坏，则在使用之前应修理电动工具。许多事故都是由于电动工具维护不良造成的。
- ▶ 保持切削工具锋利和清洁。带锋利切削刃的切削工具如果维护得当，很少会发生卡滞且更容易控制。
- ▶ 按照使用说明书，考虑作业条件和进行的作业来使用电动工具、附件和工具的刀头等。将电动工具用于指定用途以外的场合会导致危险。
- ▶ 使手柄和抓握面保持干燥、清洁且没有油脂。如果手柄和抓握面打滑，将无法在意外情况下安全操作或控制本工具。



保养

- ▶ 将你的电动工具送交专业维修人员，使用同样的备件进行修理。这样才能确保维持电动工具（设备）的安全性。

2.2 锤子安全说明

适用于所有作业类型的安全说明

- ▶ 戴上护耳装置。如果直接暴露在噪音中，则会导致听力受损。
- ▶ 使用随工具提供的辅助手柄，对工具失去控制可能会导致人身伤害。
- ▶ 执行配套工具可能接触到隐藏线束或其自带电缆的操作时，应通过绝缘的抓握面握住电动工具。如果配套工具接触到带电电线，电动工具的金属部件也将带电，从而导致电击。

关于使用长钻头的安全说明

- ▶ 始终以低转速开始钻孔，并使钻头与工件接触。在未与工件接触的情况下，如果钻头的旋转速度超出其最大允许转速，则会导致其轻微弯曲，继而造成伤害事故。
- ▶ 不要向钻头施加过大的压力，仅可在钻头的纵向轴上施加压力。否则钻头会弯曲，继而断裂或导致失控和伤害事故。

2.3 附加的安全说明

人身安全

- ▶ 不允许改装工具。
- ▶ 保持把手干燥、清洁和没有油脂。
- ▶ 检查并确认侧面手柄已正确安装和可靠固定。
- ▶ 在工间休息期间，可放松双手和锻炼手指，以改善手指的血液循环。
- ▶ 本电动工具不能让未接受专门培训的身体虚弱的成人使用。
- ▶ 将电动工具放到儿童接触不到的地方。
- ▶ 避免接触旋转部件。仅在将电动工具带到工作位置时才可打开电动工具。触摸旋转部件（特别是旋转的钻头或其它配件）可能导致伤害。
- ▶ 工作时，请务必向后引导电源线和加长线，使其远离电动工具。这样有助于避免在工作时被电线绊倒。
- ▶ 一些材料产生的灰尘，例如含铅油漆、某些木屑、混凝土/砖石建筑/含二氧化硅的石块、矿物以及金属，可能对人体有害。接触或吸入这些灰尘可能会导致操作者或旁观者出现过敏反应和/或呼吸疾病或其他疾病。某些种类的灰尘还属于致癌物质，例如橡木和山毛榉木灰尘，特别是在带木材调节添加剂（铬酸盐、木材防腐剂）时。含石棉的材料只能由专业人员进行处理。请尽可能使用除尘装置。为达到高水平的除尘效果，应使用合适的真空吸尘器。如有指示，佩戴适用于所产生粉尘类型的呼吸器。确保工作场所良好通风。遵守有关工作材料的国家要求。
- ▶ 如果供电电源发生故障或中断，则应关闭电动工具、拔下电源线并释放开关锁止按钮（若适用）。这可防止供电恢复时电动工具意外重启。
- ▶ 如果工作涉及穿透，则应在相对侧采取适当的安全措施。被钻下的工件部分可能会弹出或掉落并伤害到其他人。
- ▶ 必须遵守国家颁布的工业安全规定。

电气安全

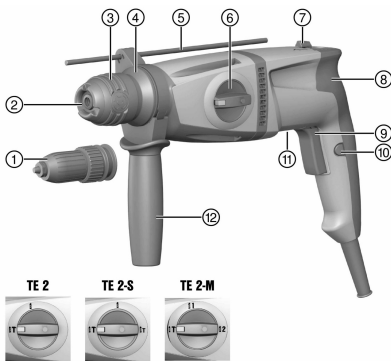
- ▶ 在开始工作之前，应检查工作区域（例如使用金属探测器）以确保没有隐藏的电缆或煤气管和水管。本工具的外部金属部件可能带电，例如当某条电源线意外损坏时。这会导致严重的电击危险。
- ▶ 定期检查电动工具的电源线，如果发现损坏，则让有资格的专业人员进行更换。如果本电动工具的电源线损坏，则必须将其更换为认可的特制电源线，该电源线由喜利得客户服务部门提供。定期检查加长电缆，如果发现损坏，则更换它们。在工作时，不要接触已损坏的电源线或加长电缆。将电源线插头从电源插座上断开。损坏的电源线或加长电缆会导致电击危险。

人身安全

- ▶ 请戴上防护手套。使用期间，旋转电锤可能会变热。更换配件工具时，存在因触摸到工具而受伤（割伤或灼伤）的风险。



3.1 产品概述



- ① 三爪夹头 (TE 2-M)
- ② 防尘罩
- ③ 夹头
- ④ 夹头锁环 (TE 2-M)
- ⑤ 深度计
- ⑥ 功能选择开关
- ⑦ 前进/后退开关
- ⑧ 把手
- ⑨ 控制开关
- ⑩ 锁止按钮
- ⑪ 铭牌
- ⑫ 侧面手柄

3.2 预期用途

本文所述产品是一个电动旋转电锤。本产品设计用于在混凝土、砖石建筑、轻隔墙/石膏板、塑料、木材、金属中钻孔以及用于安装和拆除螺钉。

▶ 只有当相连电源的电压和频率符合电动工具标牌上的给定信息时，才能操作本电动工具。

3.3 供货提供的部件：

旋转电锤、侧面手柄、深度计、操作说明。

经批准可以配合本产品使用的其它系统产品，可以通过您当地的 **Hilti Store** 购买或通过网址在线订购：
www.hilti.group | 美国：www.hilti.com

4 技术数据

有关额定电压、电流、频率和/或输入功率的详细信息，请参见各国特定的电动工具铭牌。

当通过发电机或变压器供电时，发电机或变压器的输出功率必须至少达到本电动工具铭牌上显示的额定输入功率的两倍。变压器或发电机的工作电压必须始终保持在本电动工具额定电压的 +5% 和 -15% 范围内。

	TE 2	TE 2-S	TE 2-M
重量 (按照 EPTA 程序 01)	2.7 kg	2.7 kg	2.9 kg
混凝土/砖石建筑的钻孔直径范围 (锤钻钻头)	4 mm ... 22 mm	4 mm ... 22 mm	4 mm ... 22 mm
在木材 (软质) 中的钻孔直径范围	1	4 mm ... 20 mm	10 mm ... 20 mm
	2	•/•	•/•
金属钻孔直径范围 (实心头钻头)	1	3 mm ... 13 mm	8 mm ... 13 mm
	2	•/•	•/•
深度计的最大长度	180 mm	180 mm	180 mm

4.1 噪音信息和振动值按照 EN 62841 标准

这些说明中给出的声压和振动值按照标准化测试的要求测得，可用于比较一种电动工具与另一种电动工具。它们还可用于初步评价受振动影响的程度。

提供的数据代表本电动工具的主要应用。但是，如果将电动工具用于不同的应用、使用不同的配套工具或维护不良，则数据可能不同。这可能会显著增加操作者在整个工作期间受振动影响的程度。

对受振动影响程度的准确估计还应考虑当关闭电动工具或当它运行但实际未进行工作时情况。这可能会显著减小操作者在整个工作期间受振动影响的程度。



此外，应确定附加安全措施，以保护操作者免受噪音和/或振动影响，例如：正确维护电动工具和配套工具、保持双手温暖、合理安排工作方式。

噪音信息

声功率级 (L_{WA})	102.1 dB(A)
声音功率级的不确定性 (K_{WA})	3 dB(A)
排放声压级 (L_{pA})	91.1 dB(A)
声压级的不确定性 (K_{pA})	3 dB(A)

振动信息

在混凝土中锤击钻孔的振动发射值 ($a_{h, HD}$)	12.1 m/s^2
在金属中钻孔的振动发射值 ($a_{h, D}$)	2.8 m/s^2
给定振动值的不确定性 (K)	1.5 m/s^2

5 操作

<p>安装侧面手柄</p> <p> -小心-</p> <p>人身伤害的危险！安装而不使用深度计可能对操作者造成阻碍。</p> <ul style="list-style-type: none"> 从工具上拆下深度计。 <hr/> <p> -小心-</p> <p>谨防受伤！失去对产品的控制。</p> <ul style="list-style-type: none"> 检查并确认侧面手柄已正确安装和可靠固定。检查并确认夹紧带已接合到产品的凹槽中。 	2
<p>TE 2-M</p> <p>安装 / 拆卸夹头</p> <p>安装/拆除钻头或其他附件：SDS 夹头</p> <p> 使用不合适的润滑脂可能会损坏本产品。请仅使用 Hilti 提供的推荐润滑脂。</p>	3
<p>TE 2-M</p> <p>安装/拆除钻头或其他附件：快速释放夹头</p> <p>调整深度计</p> <p> 必须注意深度计的最大长度。</p>	4
<p>TE 2-M</p> <p>安装/拆除钻头或其他附件：快速释放夹头</p> <p>调整深度计</p> <p> 必须注意深度计的最大长度。</p>	5
<p>通过锤击作用钻孔 (锤击钻孔) </p>	6
<p>TE 2-S</p> <p>轻微的锤击作用 </p>	7
<p>TE 2</p> <p>TE 2-S</p> <p>钻孔 </p>	7
<p>TE 2-M</p> <p>用 1 档钻孔 或用 2 档钻孔 </p>	7
<p>正向/反向</p> <p> 注意</p> <p>损坏风险 在工具运行期间驱动可能损坏传动装置。</p> <ul style="list-style-type: none"> 电机运行时不得操作前进/后退开关。 	8



6 维护和保养

-警告-

电击危险！ 如果试图在电源线连接电源插座的情况下执行保养和维护，则会导致严重受伤和烫伤。

- ▶ 执行维护和保养任务之前，请务必拔下电源线。

保养

- 小心地清除工具上的顽固污渍。
- 使用干燥的刷子小心清洁通风孔。
- 请仅使用略湿的布清洁壳体。不要使用含硅清洁剂，否则可能腐蚀塑料件。

维护

-警告-

电击危险！ 电气部件的不当维修会造成包括灼伤在内的严重人身伤害。

- ▶ 工具或设备的电气系统只能由受过培训的电气专业人员进行维修。
- 定期检查所有可见部件和控制器是否出现损坏迹象，确保其全部正常工作。
- 如果发现损坏迹象或如果有部件发生故障，不要操作本产品。立即将产品交由 Hilti 维修中心修复。
- 清洁和维护之后，安装所有护板或保护装置，检查并确认其正常工作。

为确保安全和可靠的操作，仅限使用 Hilti 原装备件和消耗品。Hilti 批准用于配合产品使用的备件、消耗品和配件可到您当地的 **Hilti Store** 购买或通过以下网址在线订购：www.hilti.group。

6.1 更换防尘罩

- ▶ 更换防尘罩。

7 运输和存放

- 运输电动工具时不得安装配套工具。
- 储存电动工具或设备之前，必须拔掉电源线。
- 将工具和设备存放在儿童或非授权人员无法接近的干燥位置。
- 经过长时间的运输或储存后，检查电动工具或设备是否损坏。

8 故障排除


如果您碰到的问题未在此表中列出或您无法自己实施补救措施，请联系 **Hilti** 服务部门。

8.1 故障排除

故障	可能原因	解决方案
电动工具不启动。	电源中断。	▶ 接上另一电动工具或设备并检查它是否工作。
没有锤击作用。	电动工具过冷。	▶ 使钻头尖接触到工作面，打开旋转电锤并使其运转。必要时，重复该步骤，直到锤击机构开始工作。
	将功能选择开关设置在“仅旋转钻孔”位置	▶ 将功能选择开关设置到“锤击钻孔”位置
旋转电锤无法达到全功率。	没有完全按下控制开关。	▶ 尽可能按下控制开关。
	 将功能选择开关设置到“轻微的锤击作用”	▶ 将功能选择开关设置到“锤击钻孔”位置
	加长电缆导体的截面积不足。	▶ 使用具有足够导体截面积的加长电缆。
不能释放钻头。	夹头未完全向后拉回。	▶ 向后拉动夹头，直到拉不动为止，然后拆下工具。
钻头不前进。	电动工具已被设置为反向旋转。	▶ 将电动工具设置到前进旋转。



9 废弃处置

 大部分用于 Hilti 工具和设备生产的材料是可回收利用的。在可以回收之前，必须正确分离材料。在很多国家，您的旧工具、机器或设备可送至 Hilti 进行回收。敬请联系 Hilti 服务部门或您的喜利得公司代表获得更多信息。



- ▶ 不要将电动工具、电子设备和电池扔进家庭垃圾中！
-

10 RoHS (有害物质限制)

您可通过以下链接跳转至危险物质表：qr.hilti.com/r3682 (TE 2)、qr.hilti.com/r3684 (TE 2-M) 和 qr.hilti.com/r3683 (TE 2-S)。

您将在本文档末尾找到指向 RoHS 表格的链接 (二维码形式)。

11 制造商保修

- ▶ 如对保修条件有任何疑问，请联系您当地的 Hilti 代表。





EC Declaration of Conformity | UK Declaration of Conformity



Manufacturer:
Hilti Corporation
Feldkircherstraße 100
9494 Schaan | Liechtenstein

UK Importer:
Hilti (Gt. Britain) Limited
No. 1 Circle Square, 3 Symphony Park
Manchester, England, M1 7FS

TE 2 (02) | TE 2-S (02) | TE 2-M (02)

Serial Numbers: 1-9999999999

2006/42/EC | Supply of Machinery (Safety) Regulations 2008

EN 62841-1:2015,AC:2015

EN IEC 62841-2-6:2020/A11:2020

2014/30/EU | Electromagnetic Compatibility Regulations 2016

EN IEC 55014-1:2021

EN IEC 55014-2:2021

2011/65/EU | The Restriction of the Use of Certain Hazardous Substances in Electrical and Electronic Equipment Regulations 2012

EN IEC 61000-3-2:2019, A1:2021

EN 61000-3-3:2013 + A1:2019

Dr. Tahar Zrilli
Head of Quality and Process Management
Business Area Electric Tools & Accessories

Schaan, 08.02.2023

Edward-Louis Przybylowicz
Head of BU Power Tool & Accessories
Business Area Electric Tools & Accessories

TE 2



TE 2-S



TE 2-M





Hilti Corporation
LI-9494 Schaan
Tel.:+423 234 21 11
Fax:+423 234 29 65
www.hilti.group



2059548